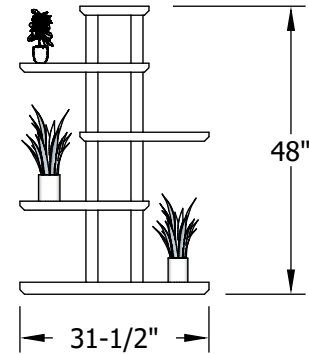
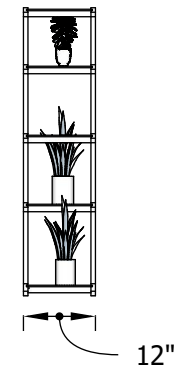


# Plant Stand Basic Version



Front View



Side View

Design: Marc Spagnuolo  
Plans: Marc Spagnuolo & Brian Benham  
Version #1

Copyright © 2024 • The Wood Whisperer, Inc. • TheWoodWhisperer.com



TWW®

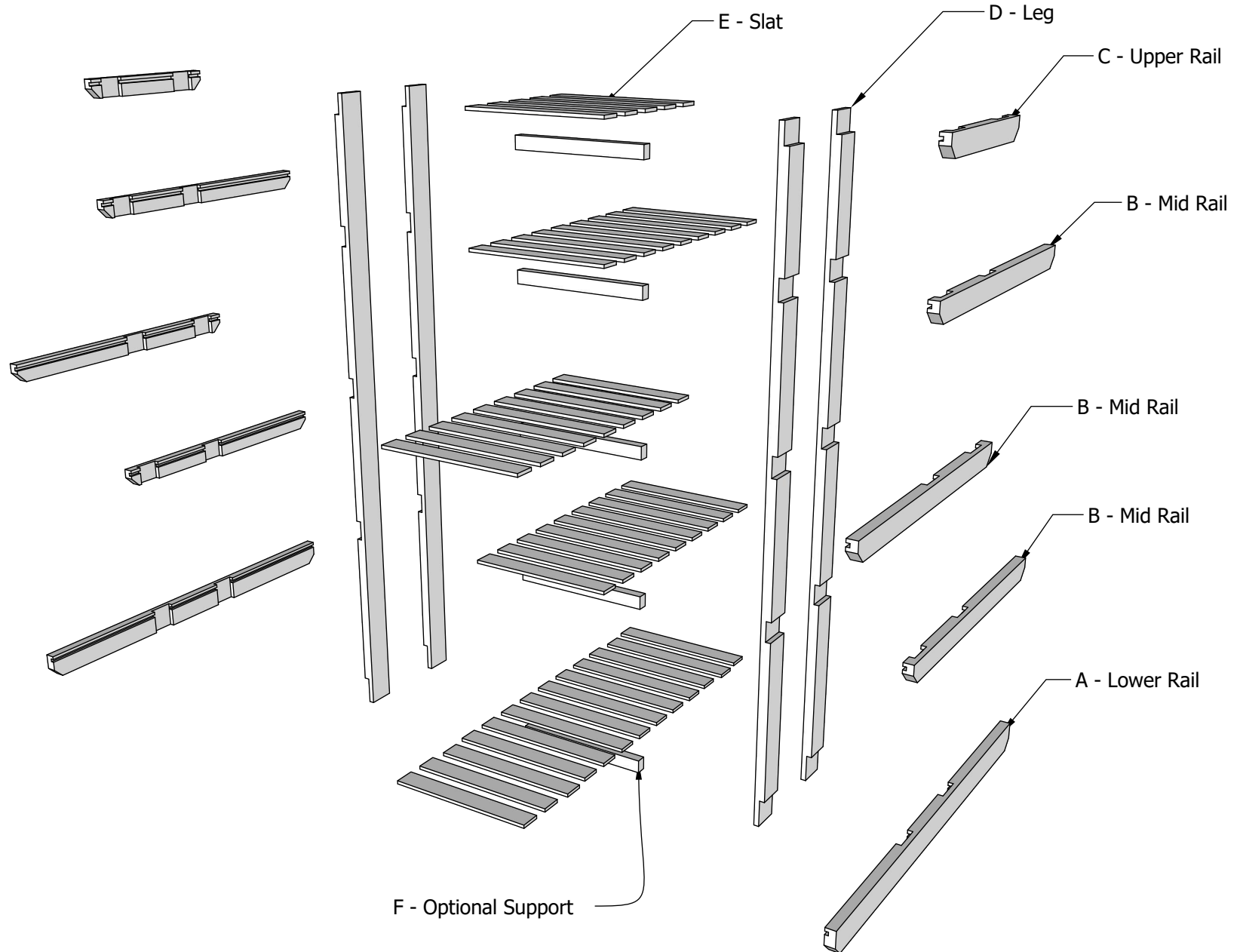
# Cut List

Description	Quantity	Material	Thickness	Width	Length
A - Lower Rail	2	4/4 Hardwood sp1	3/4"	2"	31 1/2"
B - Mid Rail	6	4/4 Hardwood sp1	3/4"	1 1/2"	21 1/2"
C - Upper Rail	2	4/4 Hardwood sp1	3/4"	1 1/2"	11 1/2"
D - Leg	4	4/4 Hardwood sp1	3/4"	2"	48"
E - Slat	45	4/4 Hardwood sp2	1/4"	1 1/2"	11"
F - Optional Support	5	4/4 Hardwood sp2	3/4"	1"	10 1/2"

# Materials List

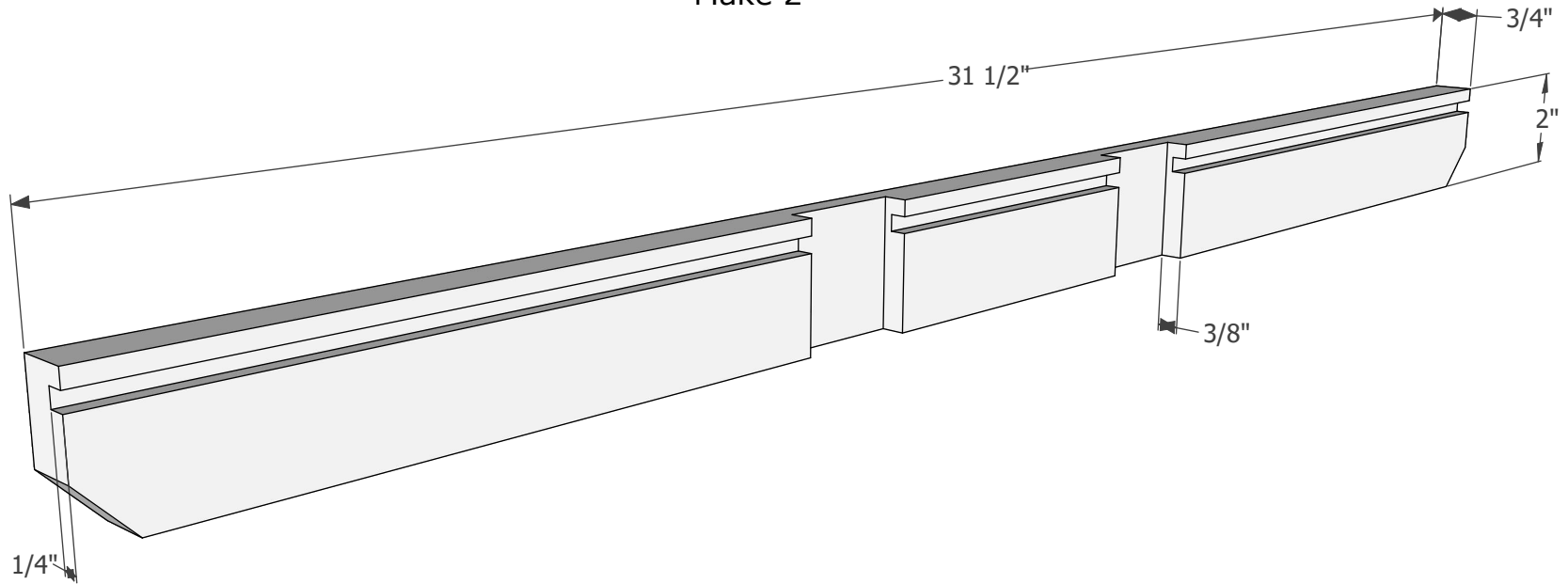
- 7 BF - 4/4 Hardwood SP1 (20% waste added)
- 4 BF - 4/4 Hardwood SP2 (20% waste added)
- ∞ - Plant Obsession

# Exploded View

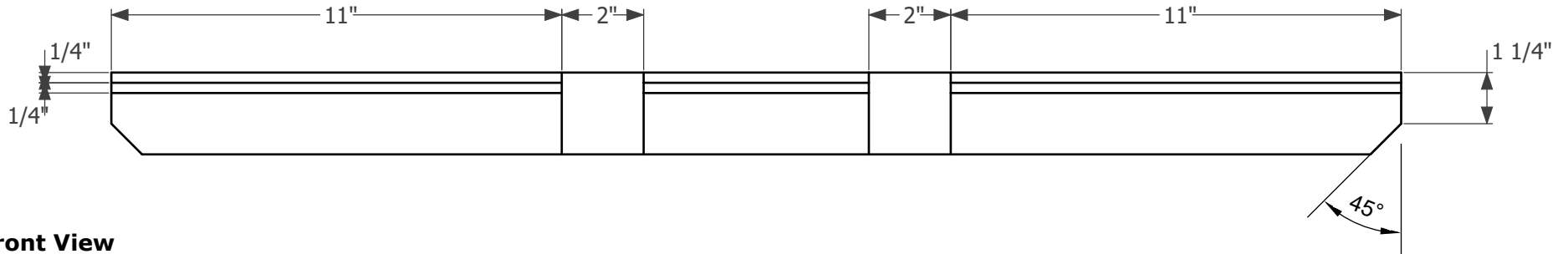


# Bottom Rail

Make 2



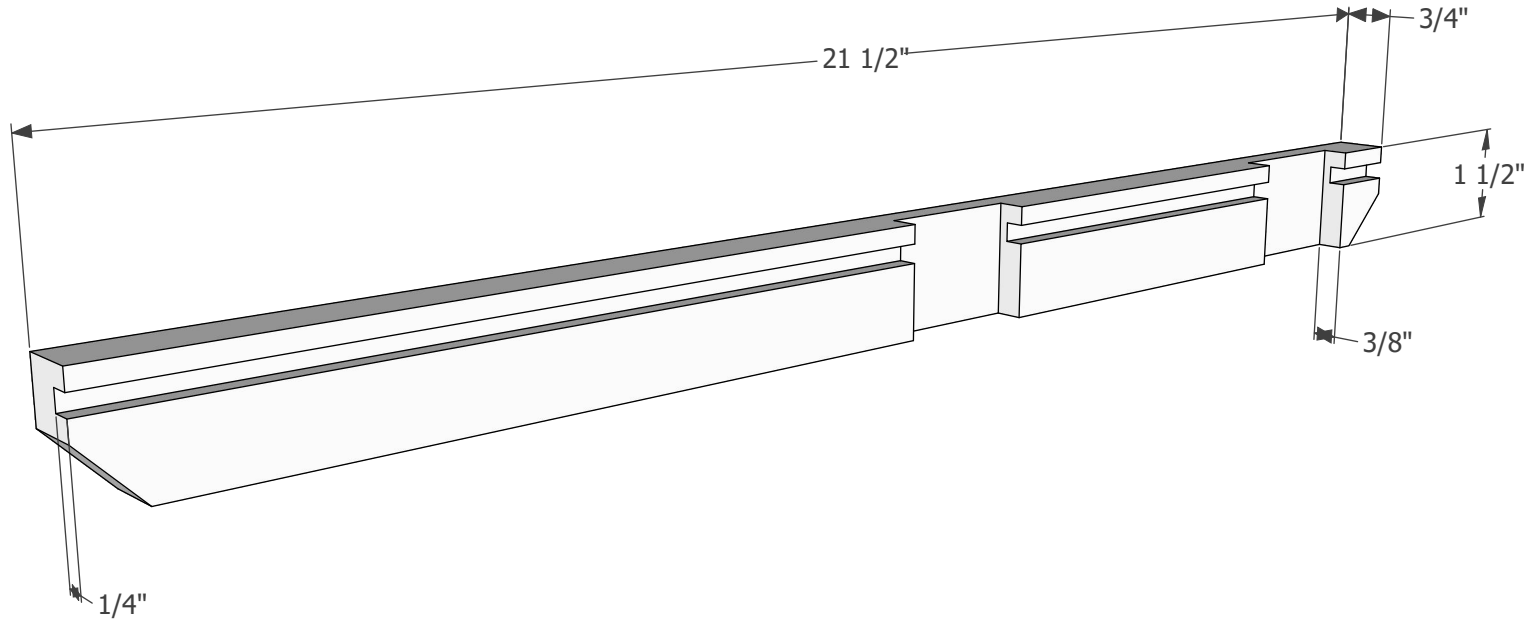
**Perspective View**



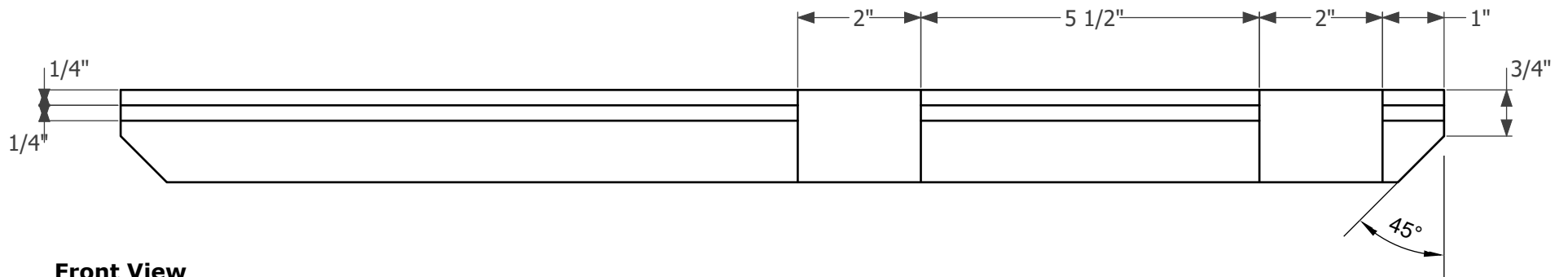
**Front View**

# Mid Rail

Make 6 Total; three of them are mirrored.



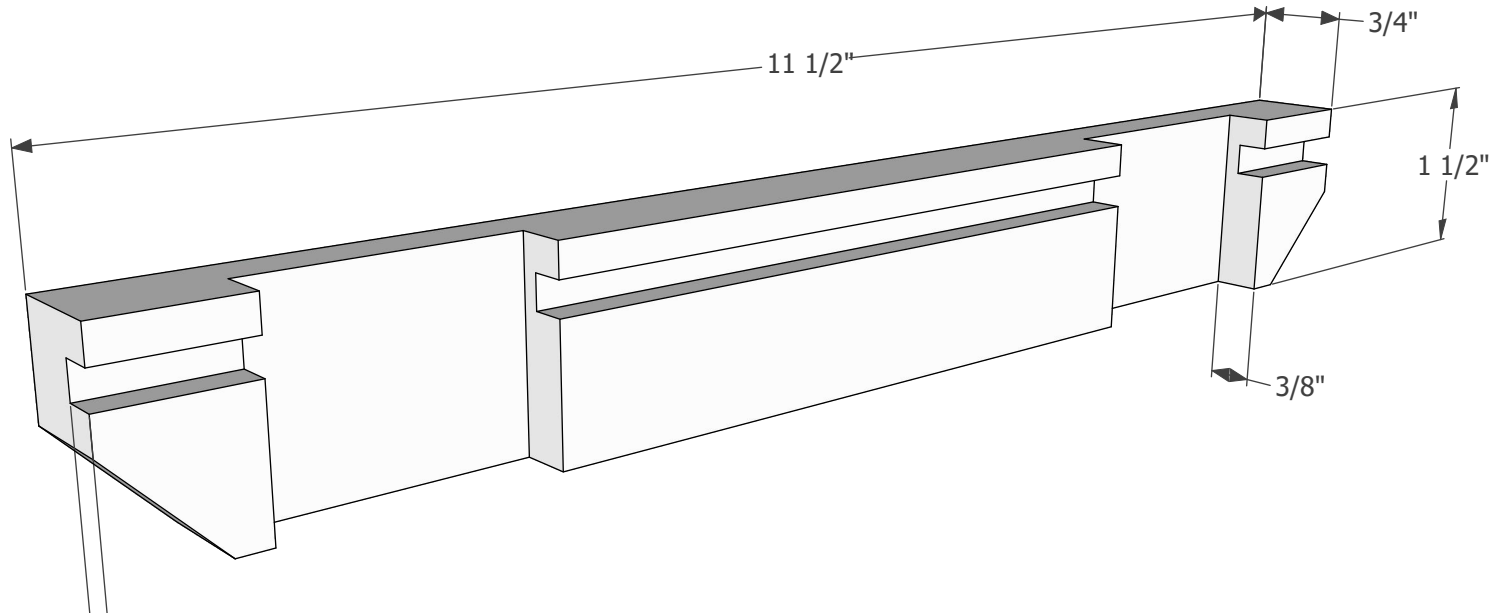
**Perspective View**



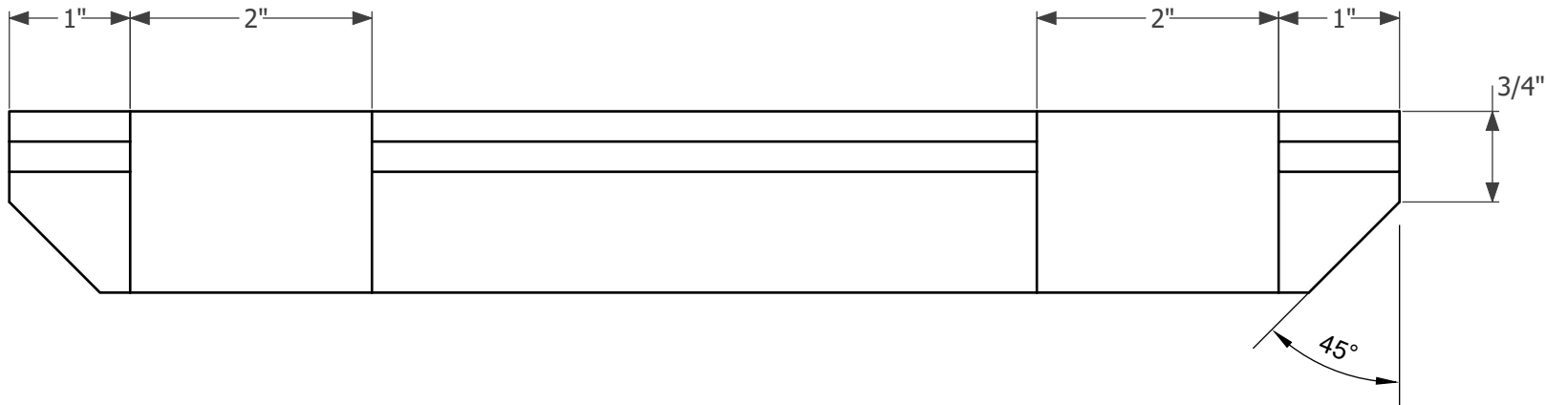
**Front View**

# Upper Rail

Make 2



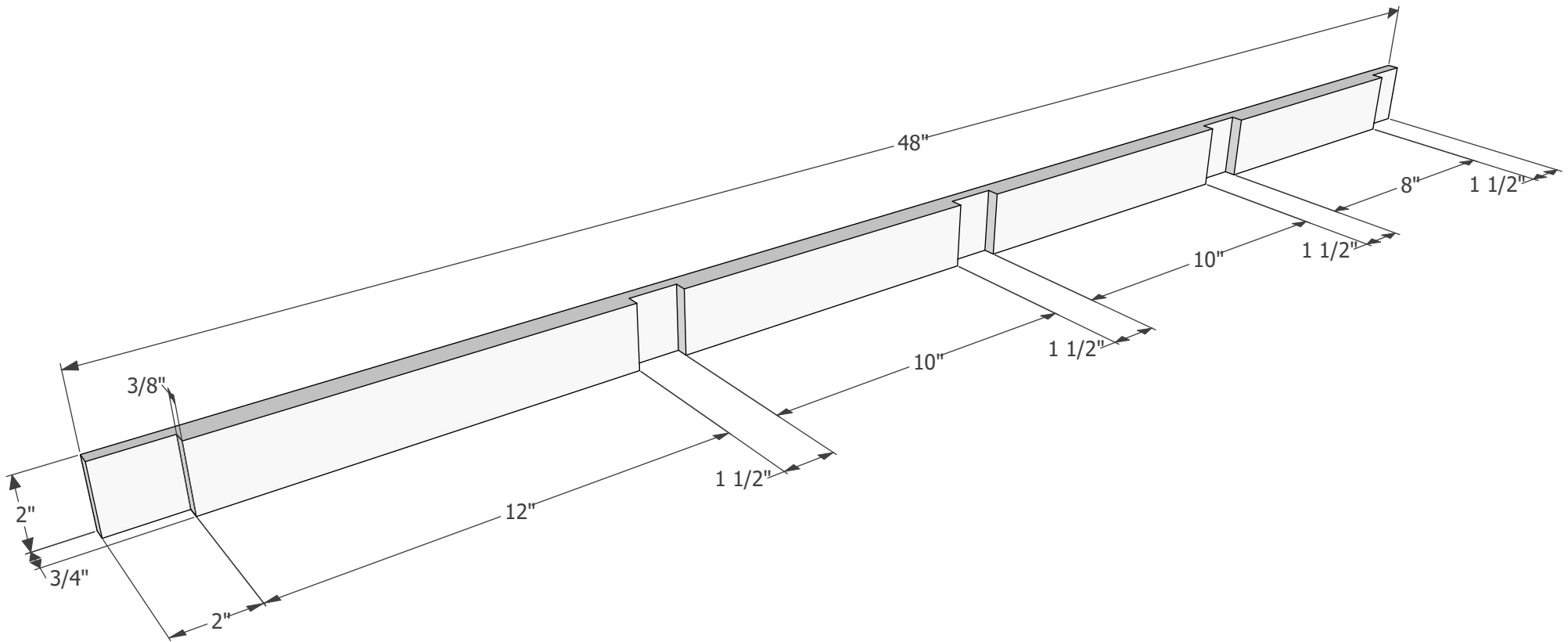
Perspective View



Front View

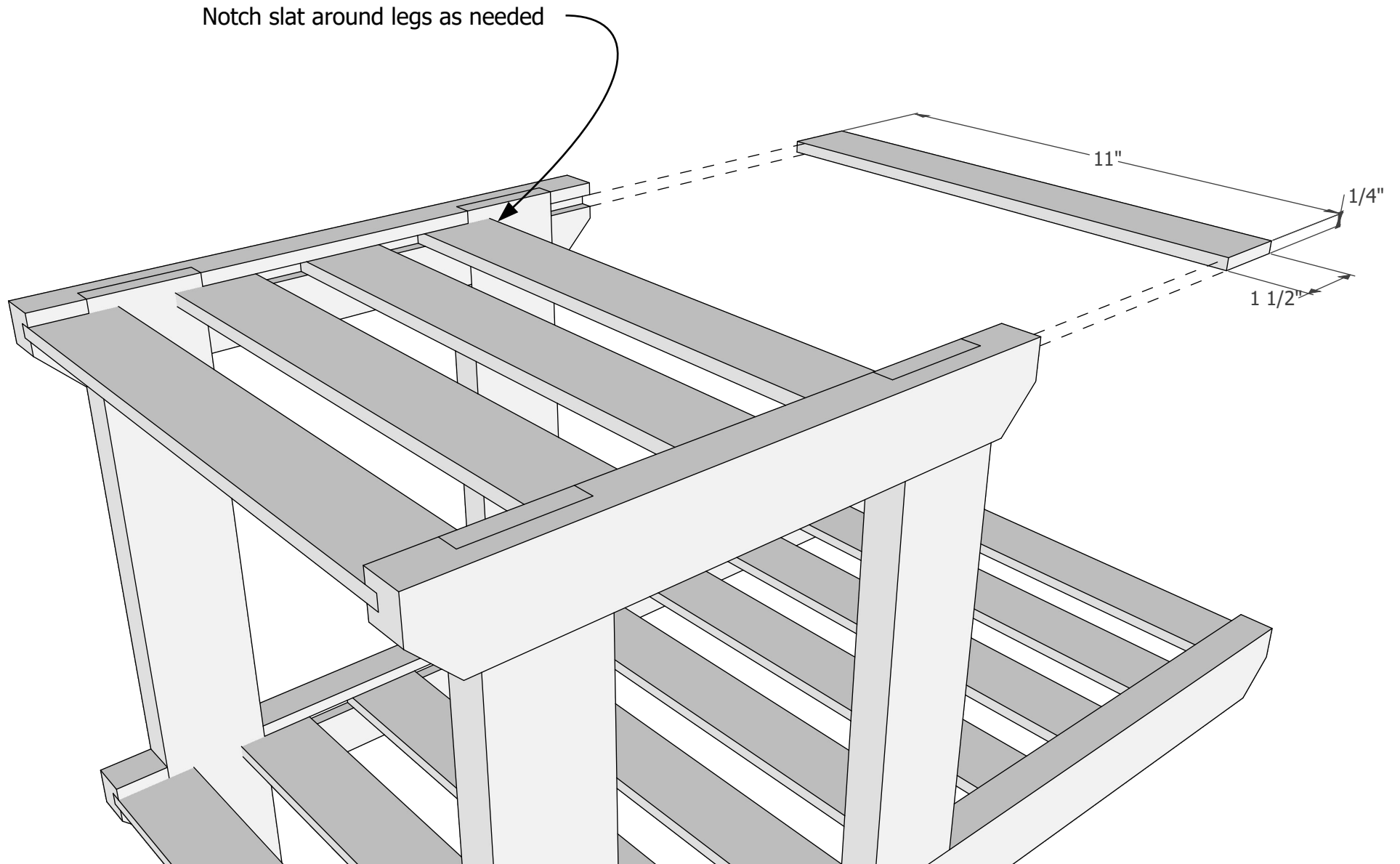
# Leg

Make 2



# Slats

Make 45





# Optional Supports

