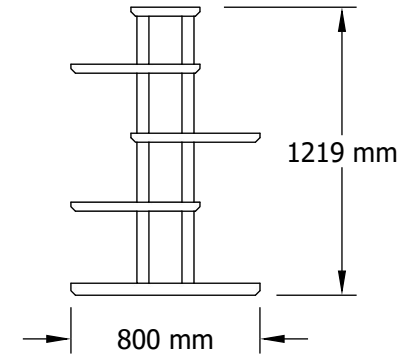
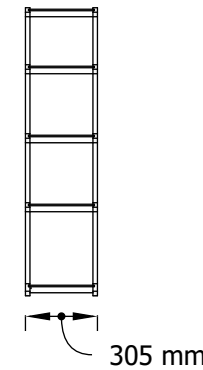


Plant Stand Basic Version



Front View



Side View

Design: Marc Spagnuolo
Plans: Marc Spagnuolo & Brian Benham
Version #1

Copyright © 2024 • The Wood Whisperer, Inc. • TheWoodWhisperer.com



TWW[®]

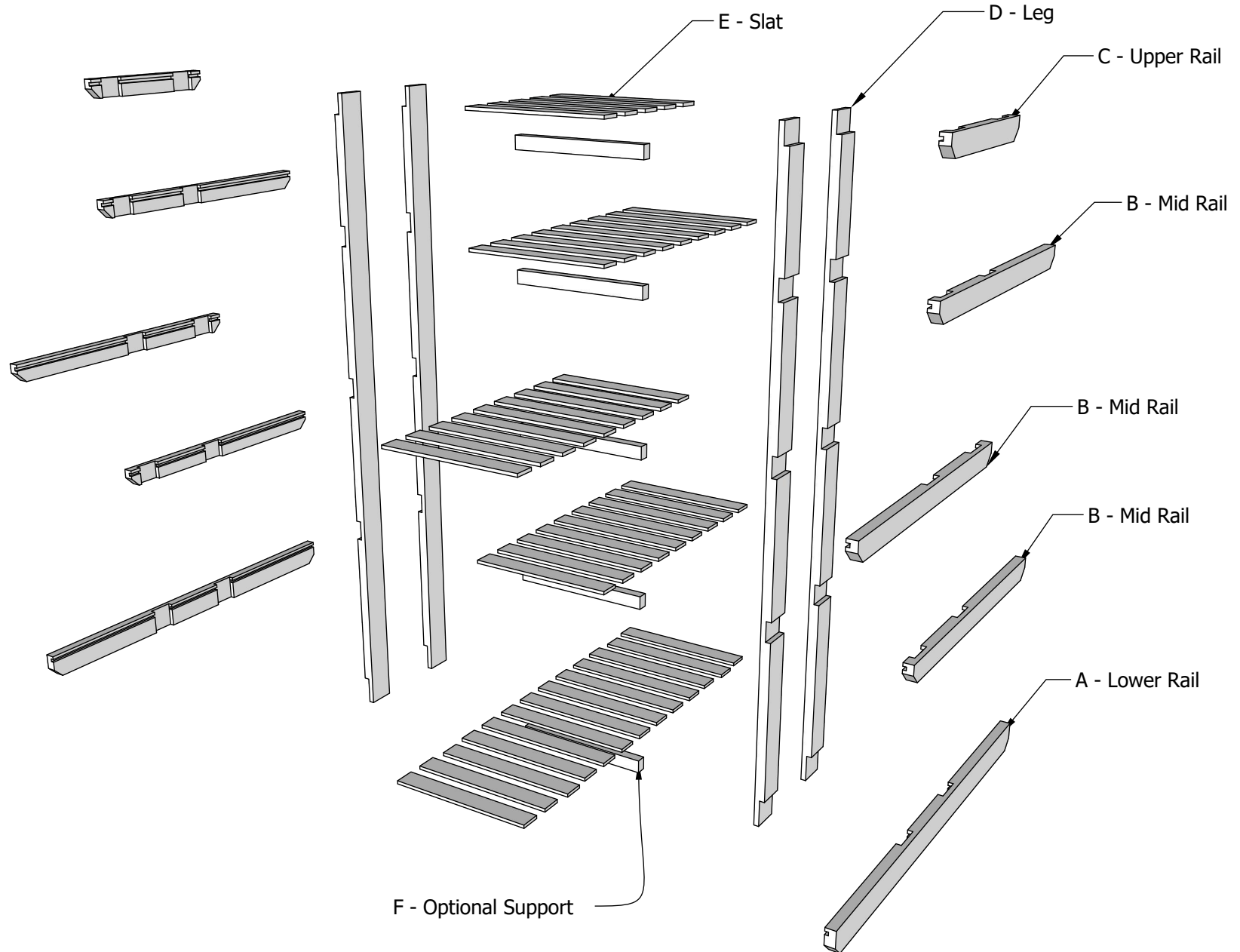
Cut List

Description	Quantity	Material	Thickness	Width	Length
A - Lower Rail	2	4/4 Hardwood sp1	19	51	800
B - Mid Rail	6	4/4 Hardwood sp1	19	38	546
C - Upper Rail	2	4/4 Hardwood sp1	19	38	290
D - Leg	4	4/4 Hardwood sp1	19	51	1219
E - Slat	45	4/4 Hardwood sp2	6	38	279
F - Optional Support	5	4/4 Hardwood sp2	19	25	267

Materials List

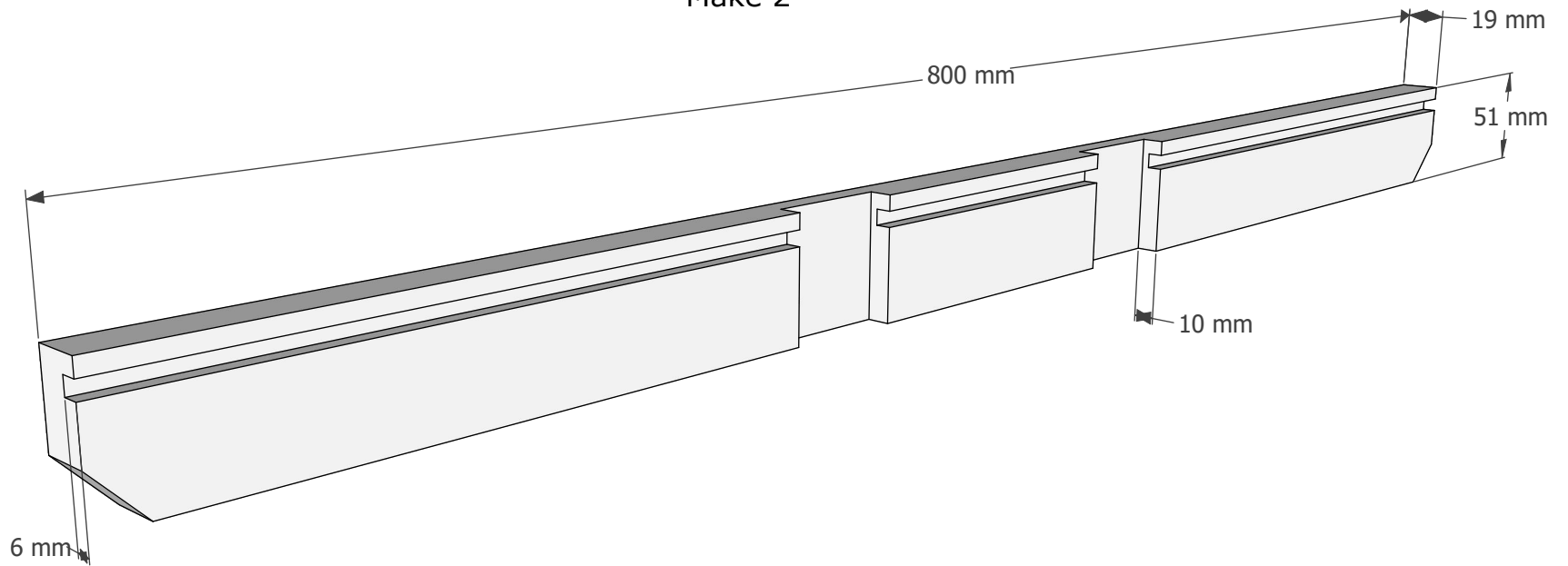
- 7 BF - 4/4 Hardwood SP1 (20% waste added)
- 4 BF - 4/4 Hardwood SP2 (20% waste added)
- ∞ - Plant Obsession

Exploded View

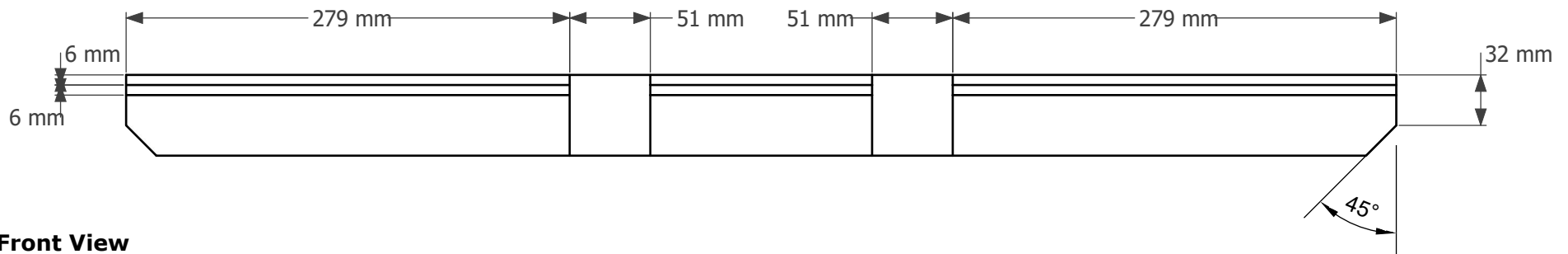


Bottom Rail

Make 2



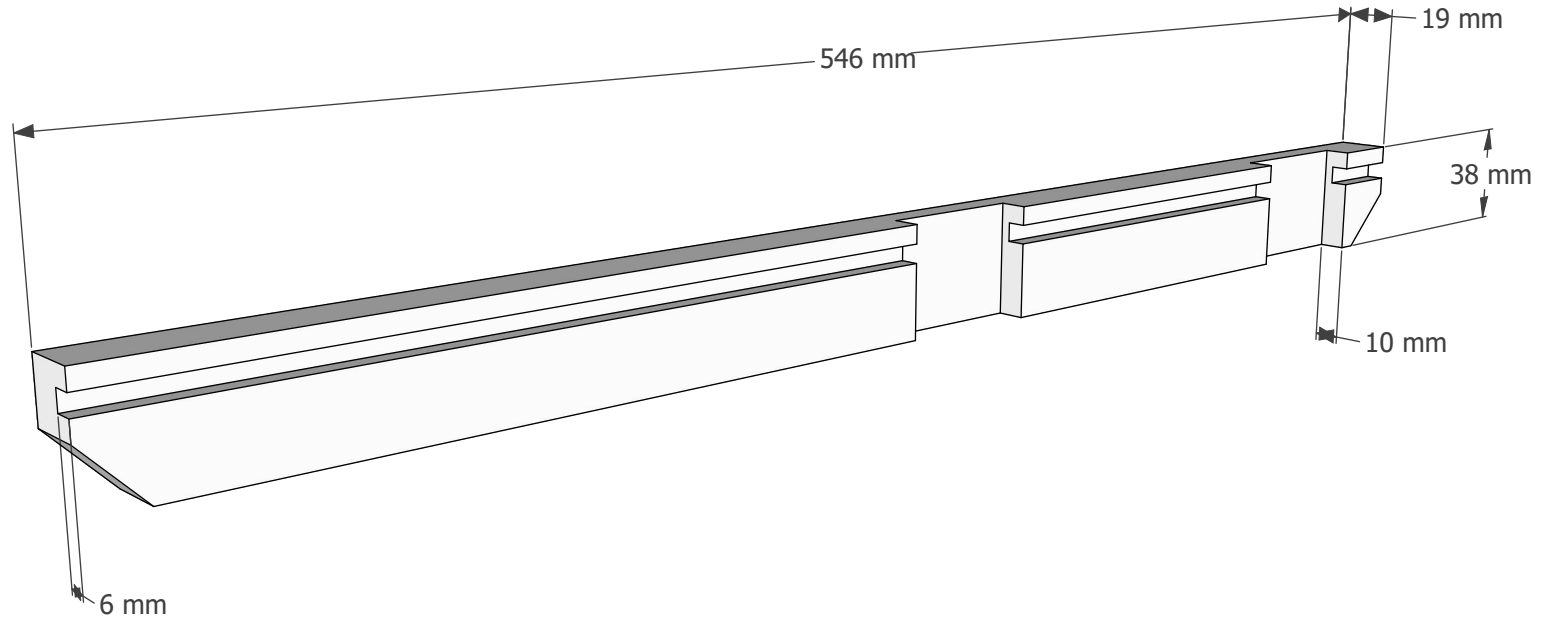
Perspective View



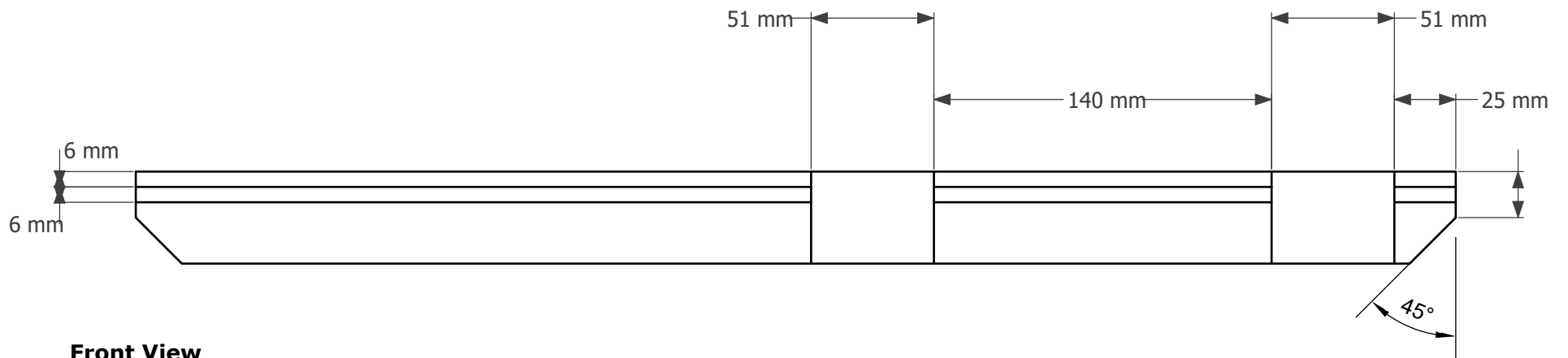
Front View

Mid Rail

Make 6 Total; three of them are mirrored.



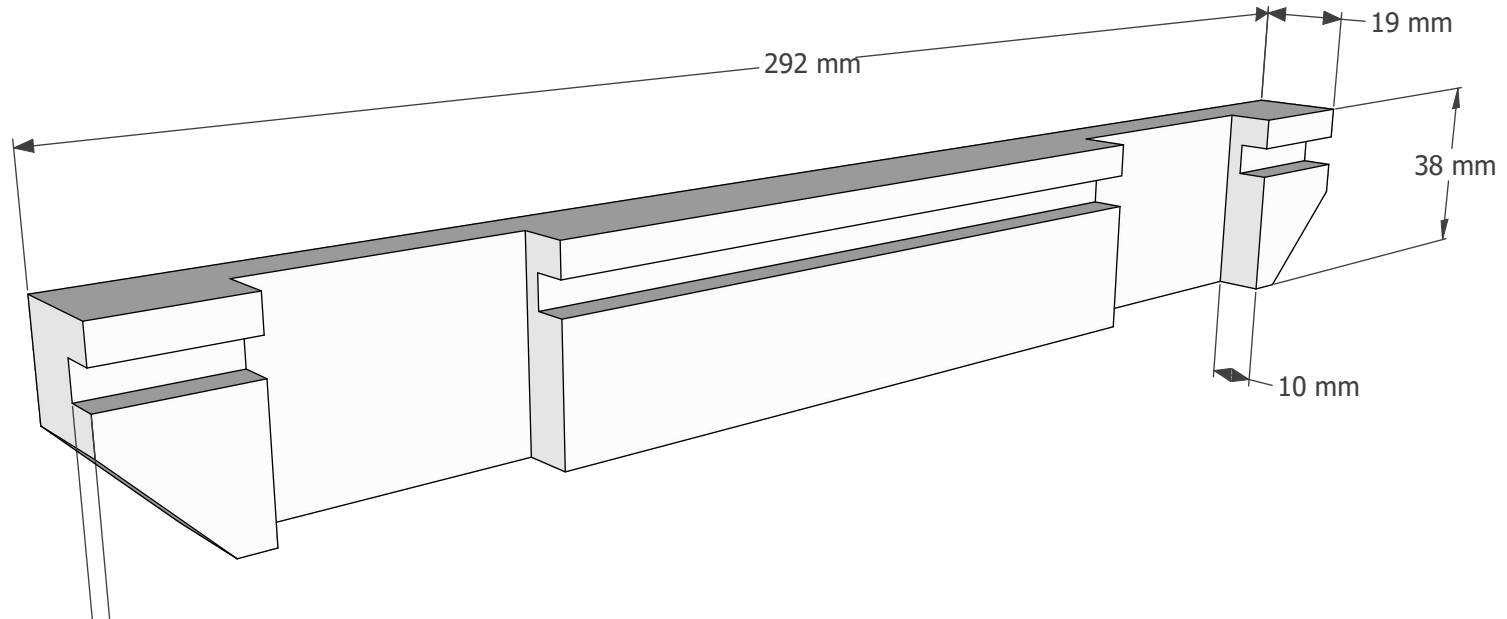
Perspective View



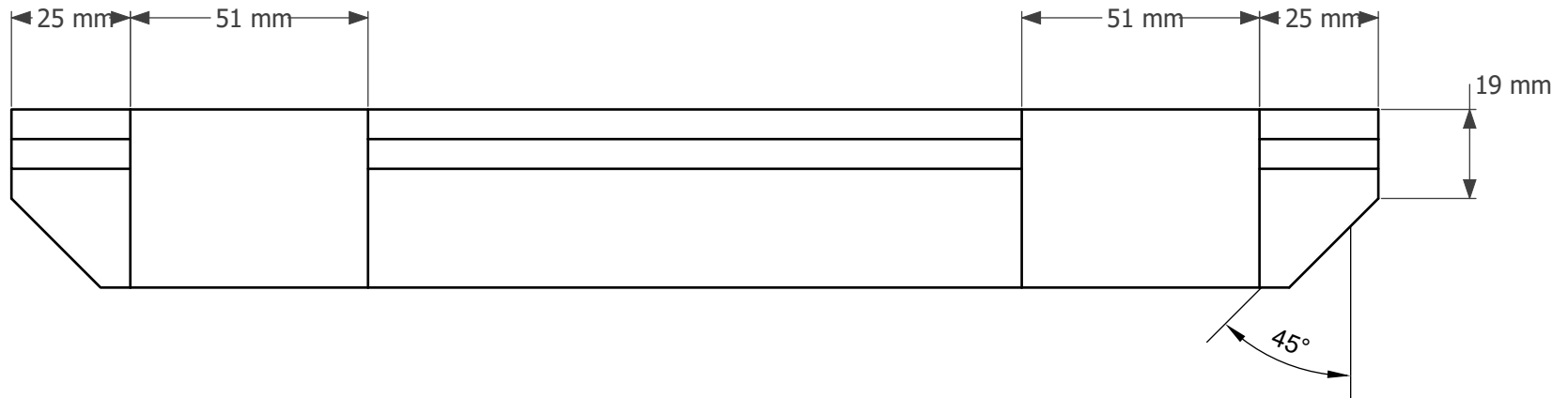
Front View

Upper Rail

Make 2



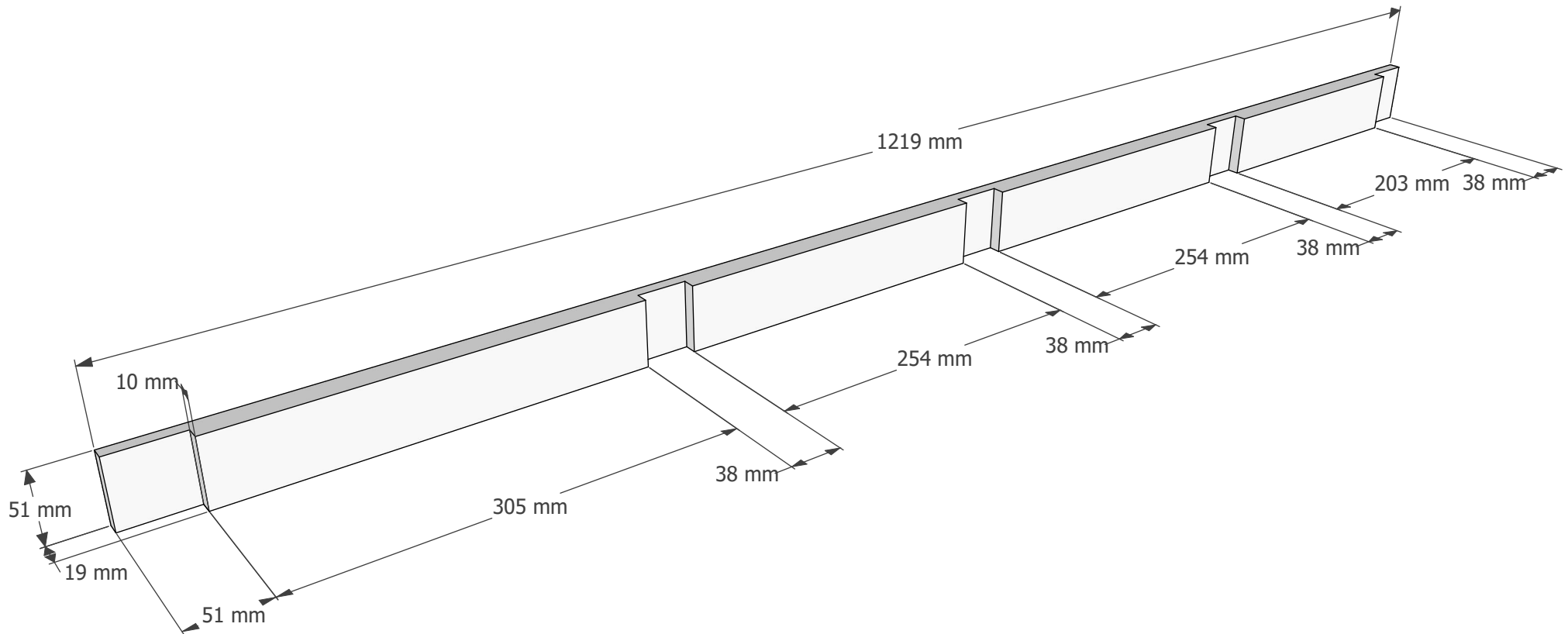
Perspective View



Front View

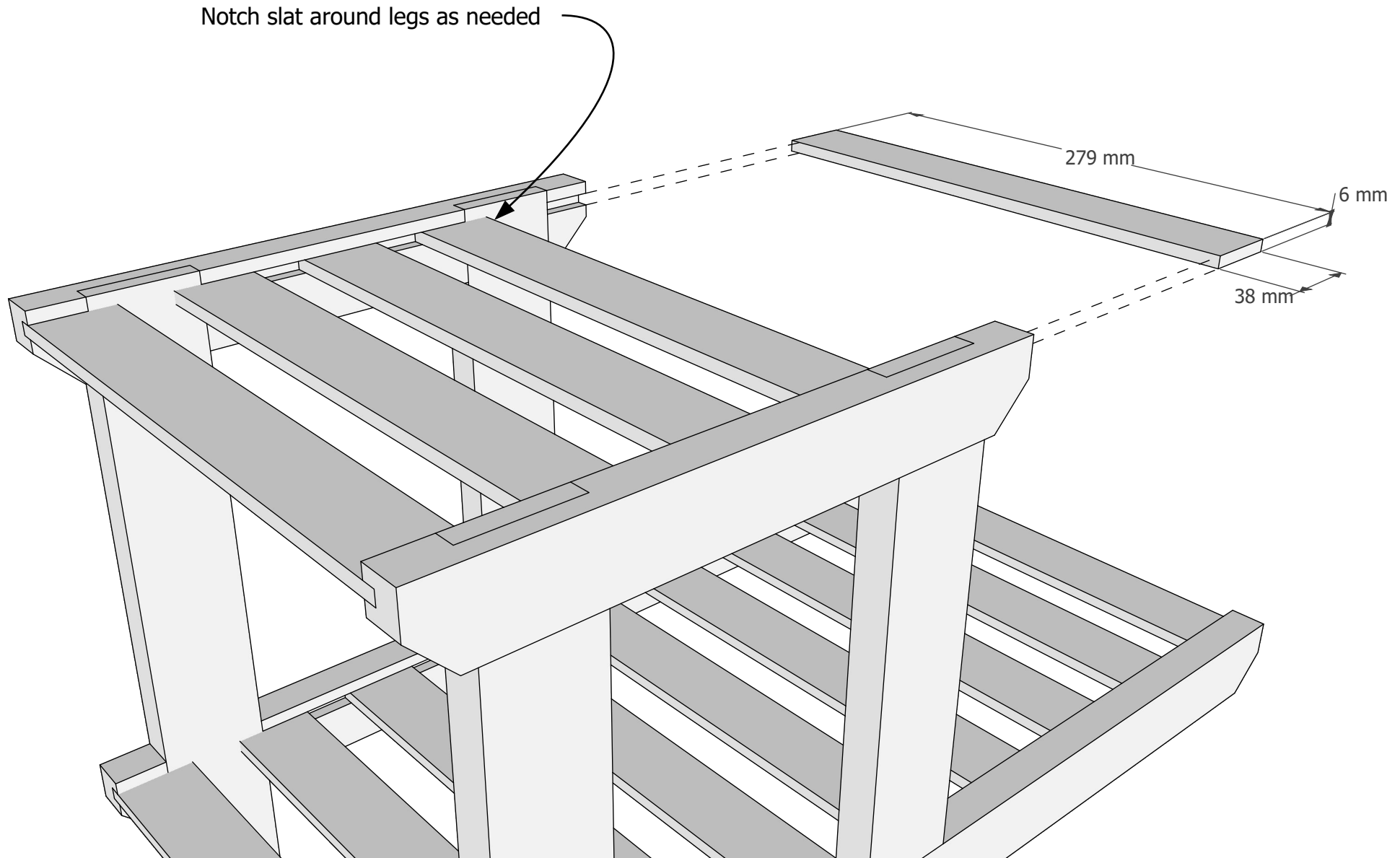
Leg

Make 2



Slats

Make 45



Optional Supports

