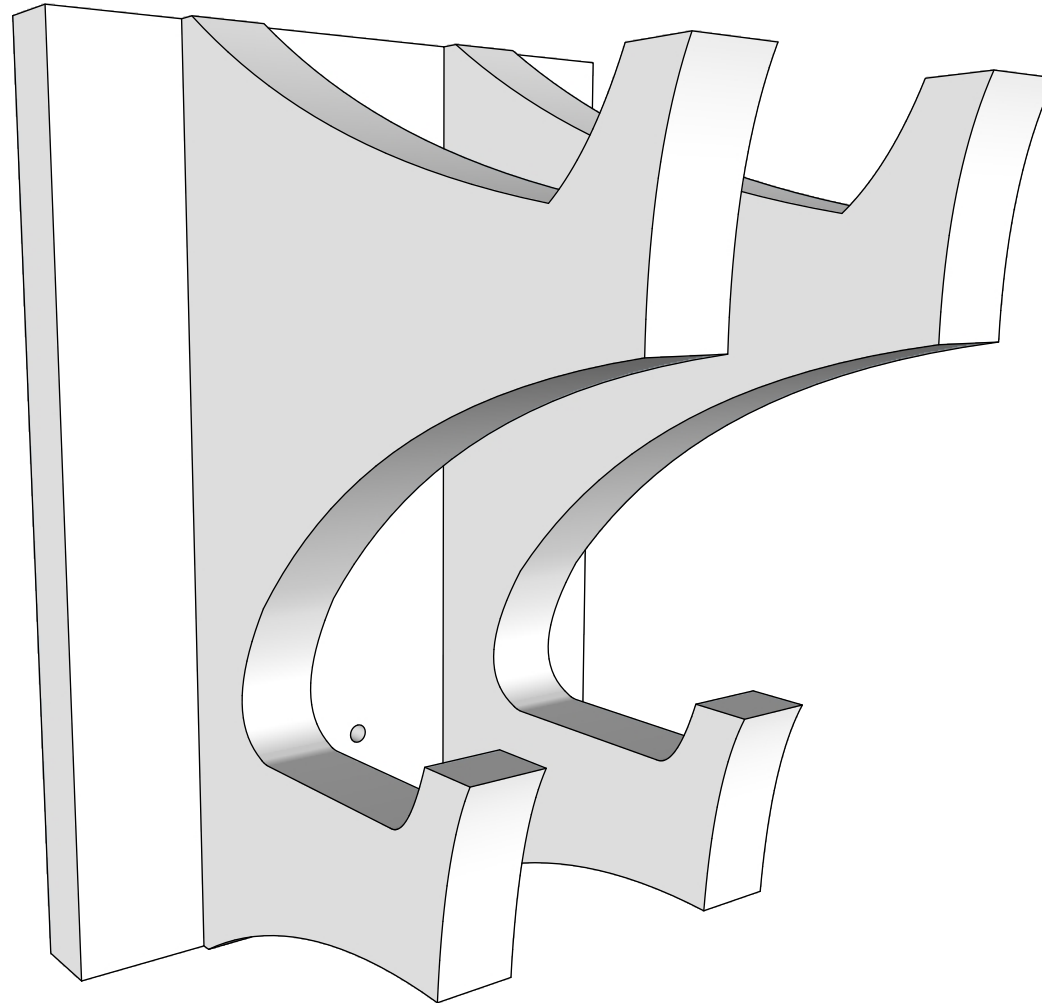


Headphone Holder



Design: Marc Spagnuolo
Plans: Marc Spagnuolo & Brian Benham
Version #1

Copyright © 2021 • The Wood Whisperer, Inc. • TheWoodWhisperer.com



TWW[®]

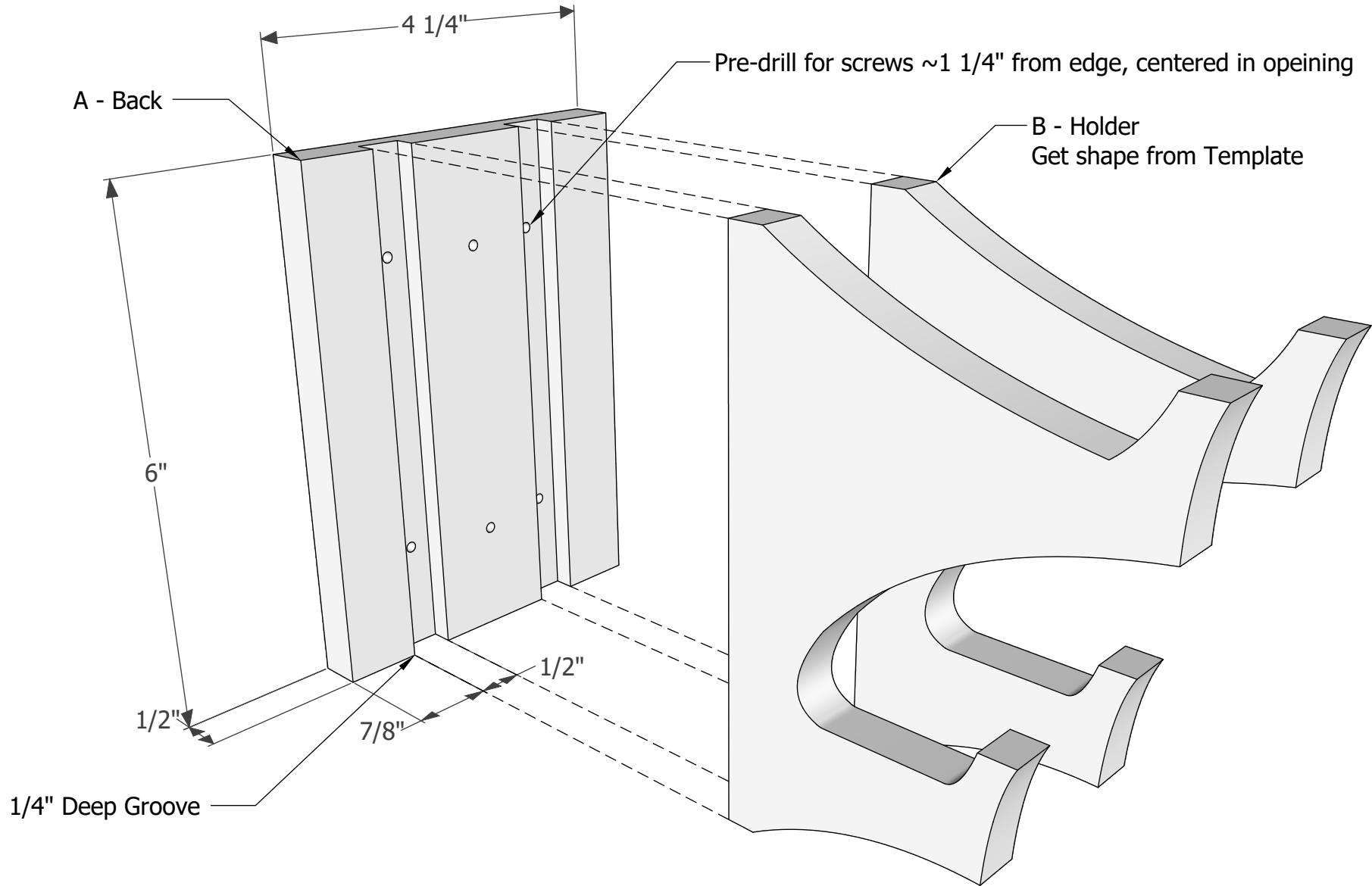
Cut List

Description	Quantity	Width	Length	Thickness	Material	Notes
A - Back	1	4 1/4"	6"	1/2"	4/4 Hardwood	
B - Holder	2	5"	6 1/2"	1/2"	4/4 Hardwood	This is oversized

Materials List

- 1 BF 4/4 Hardwood (20% added and round up to the nearest board foot)

Exploded View



Template

Page Layout Instructions

Be sure your PDF viewer is set to print actual size
Double check scale using 1"x1" square

