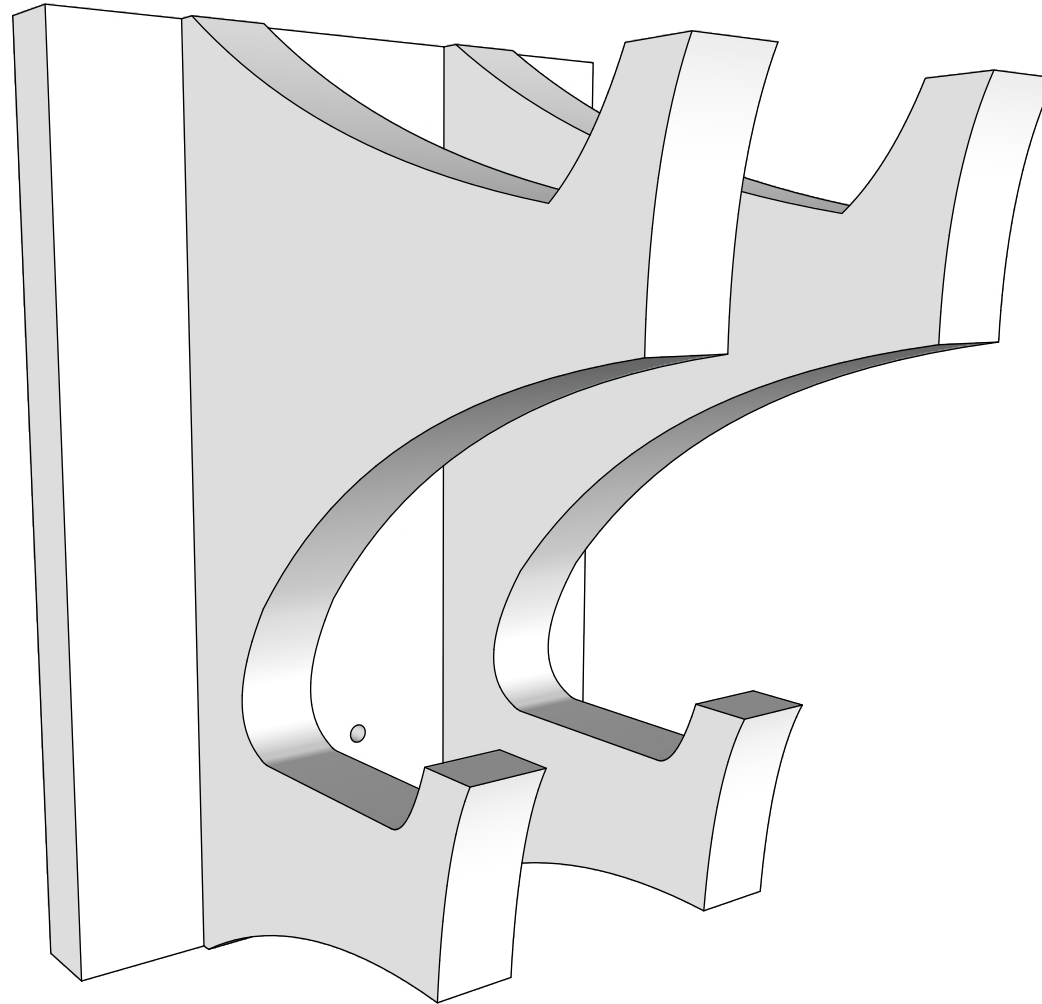


Headphone Holder



Design: Marc Spagnuolo
Plans: Marc Spagnuolo & Brian Benham
Version #1

Copyright © 2021 • The Wood Whisperer, Inc. • TheWoodWhisperer.com



TWW[®]

Cut List

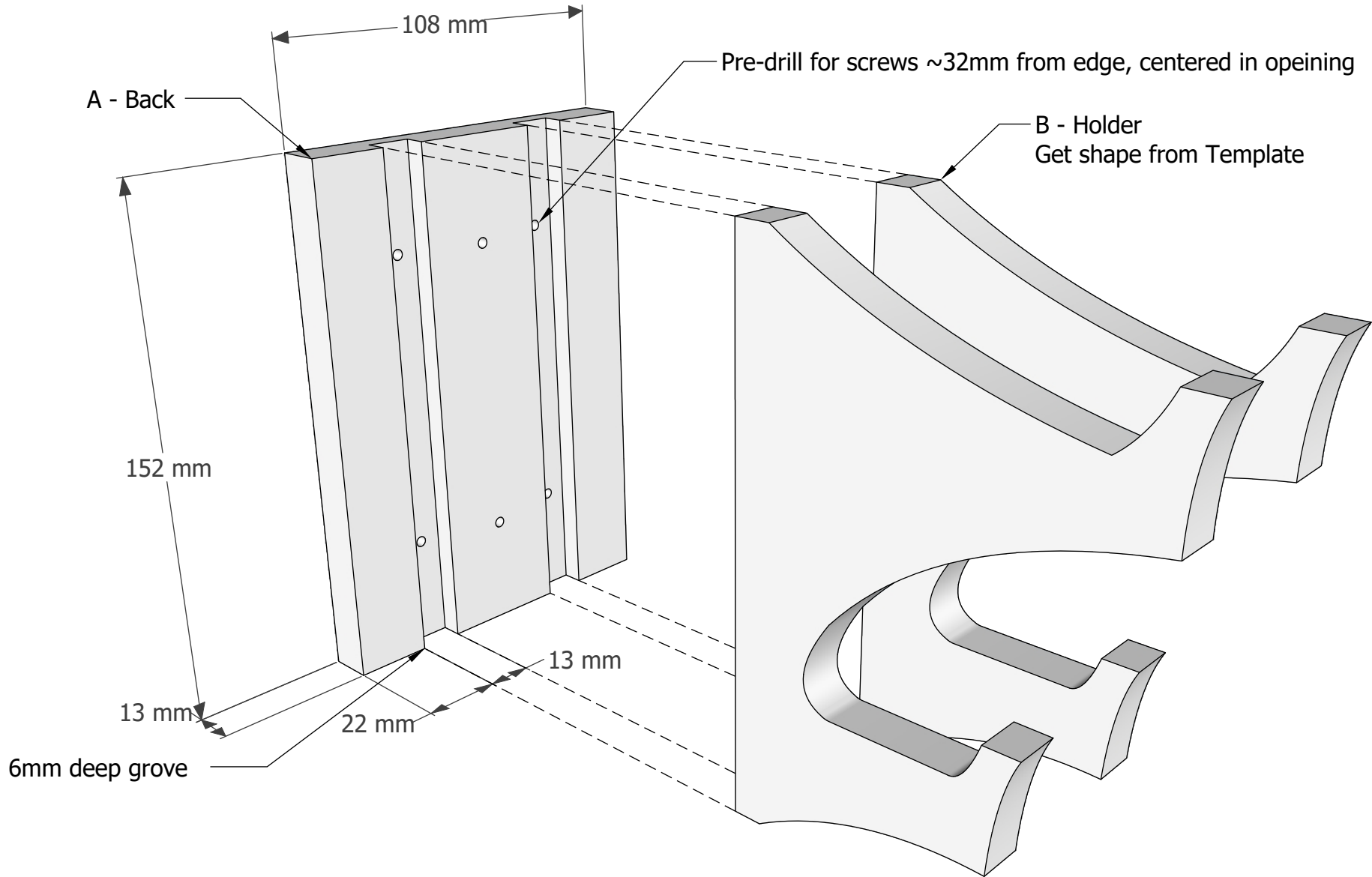
Description	Quantity	Width	Length	Thickness	Material	Notes
A - Back	1	108 mm	152 mm	13 mm	4/4 Hardwood	
B - Holder	2	128 mm	164 mm	13 mm	4/4 Hardwood	This is oversized

Materials List

- 1 BF 4/4 Hardwood (20% added and round up to the nearest board foot)

IMPORTANT! These plans were converted from imperial measurements, and rounded to the nearest mm. It is recommended you use relative dimensioning to ensure a good fit.

Exploded View



Template

Page Layout Instructions

Be sure your PDF viewer is set to print actual size
Double check scale using 25mm x 25mm square

