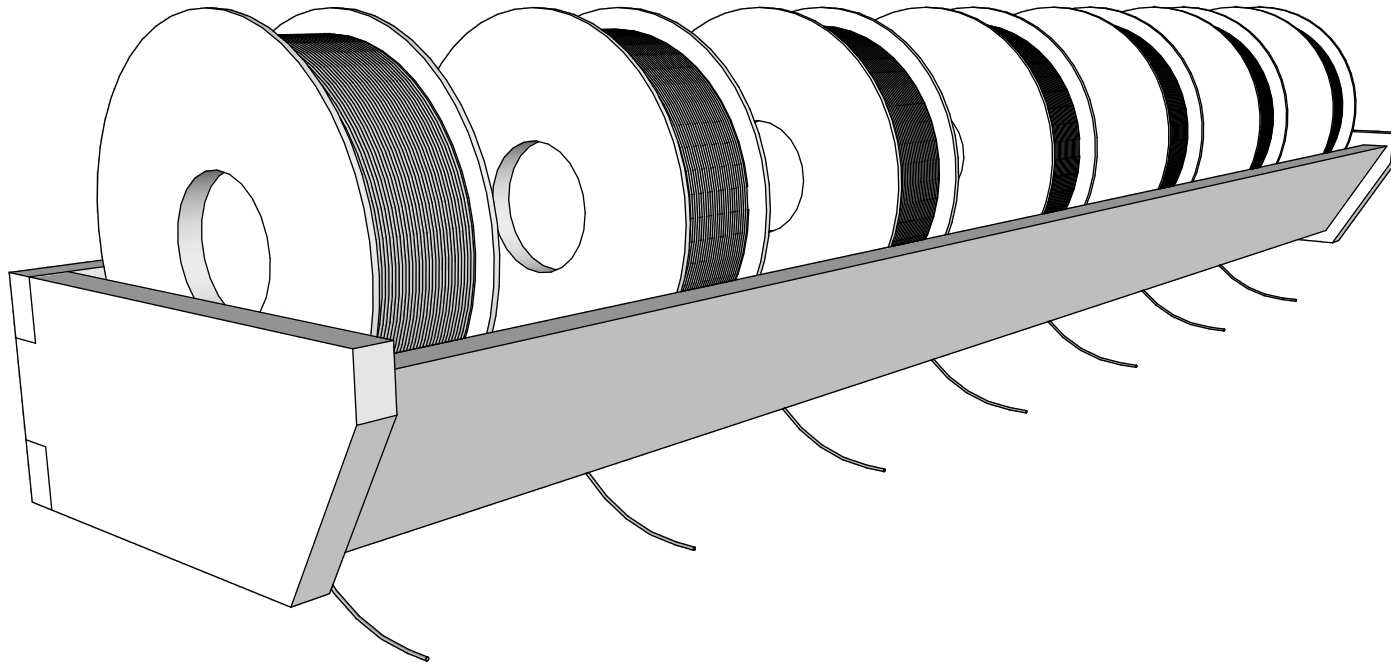


Filament Rack



Design: Marc Spagnuolo
Plans: Marc Spagnuolo & Brian Benham
Version #1

Copyright © 2022 • The Wood Whisperer, Inc. • TheWoodWhisperer.com



TWW[®]

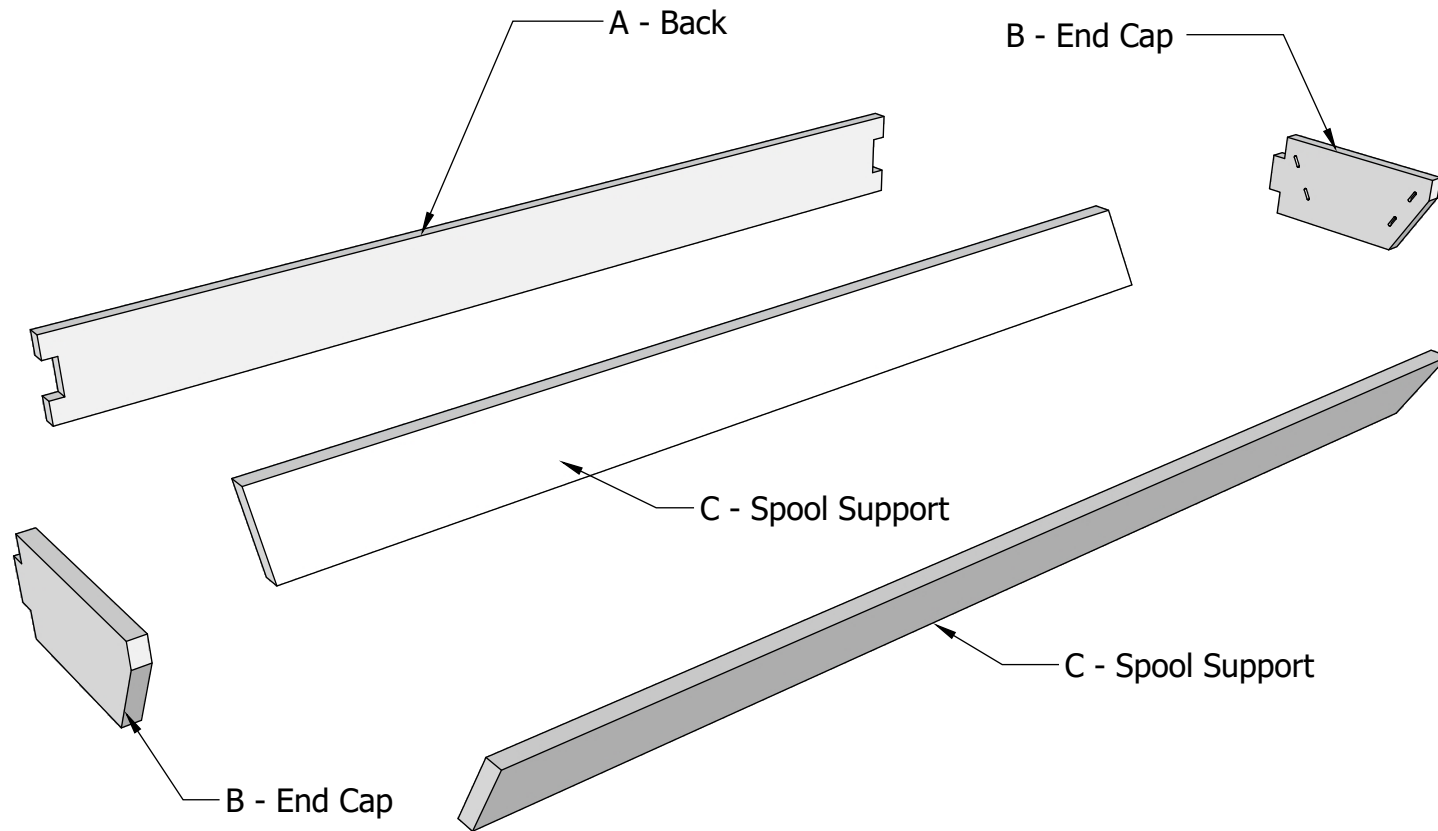
Cut List

Description	Quantity	Material	Width	Length	Thickness
A - Back	1	4/4 Hardwood	4 1/2"	51"	3/4"
B - End Cap	2	4/4 Hardwood	4 1/2"	10 1/4"	3/4"
C - Spool Support	2	4/4 Hardwood	4 1/2"	49 1/2"	3/4"

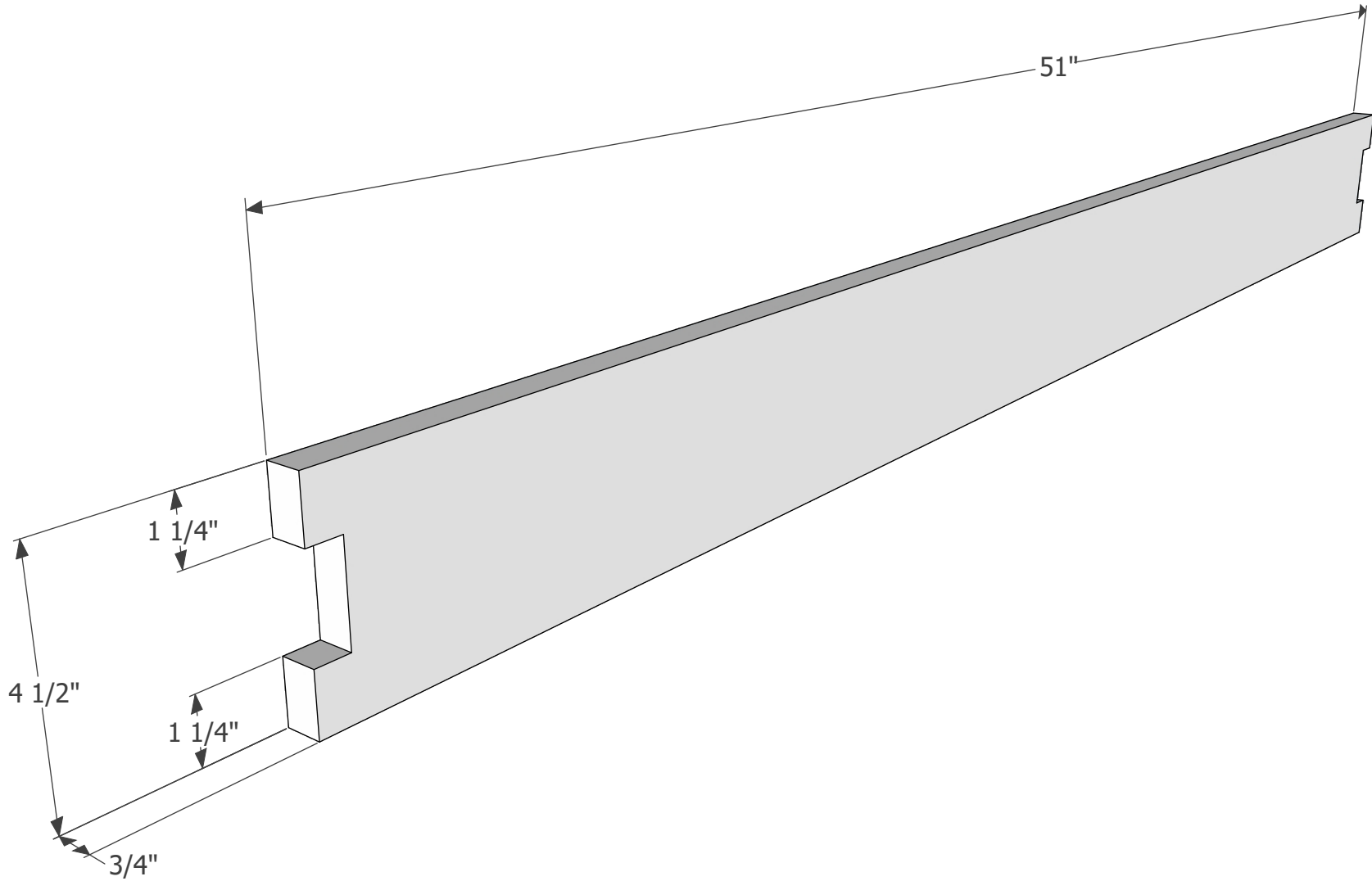
Materials List

- 8BF - 4/4 Hardwood (20% waste added in)
- Assorted Dominos or joinery method of your choice

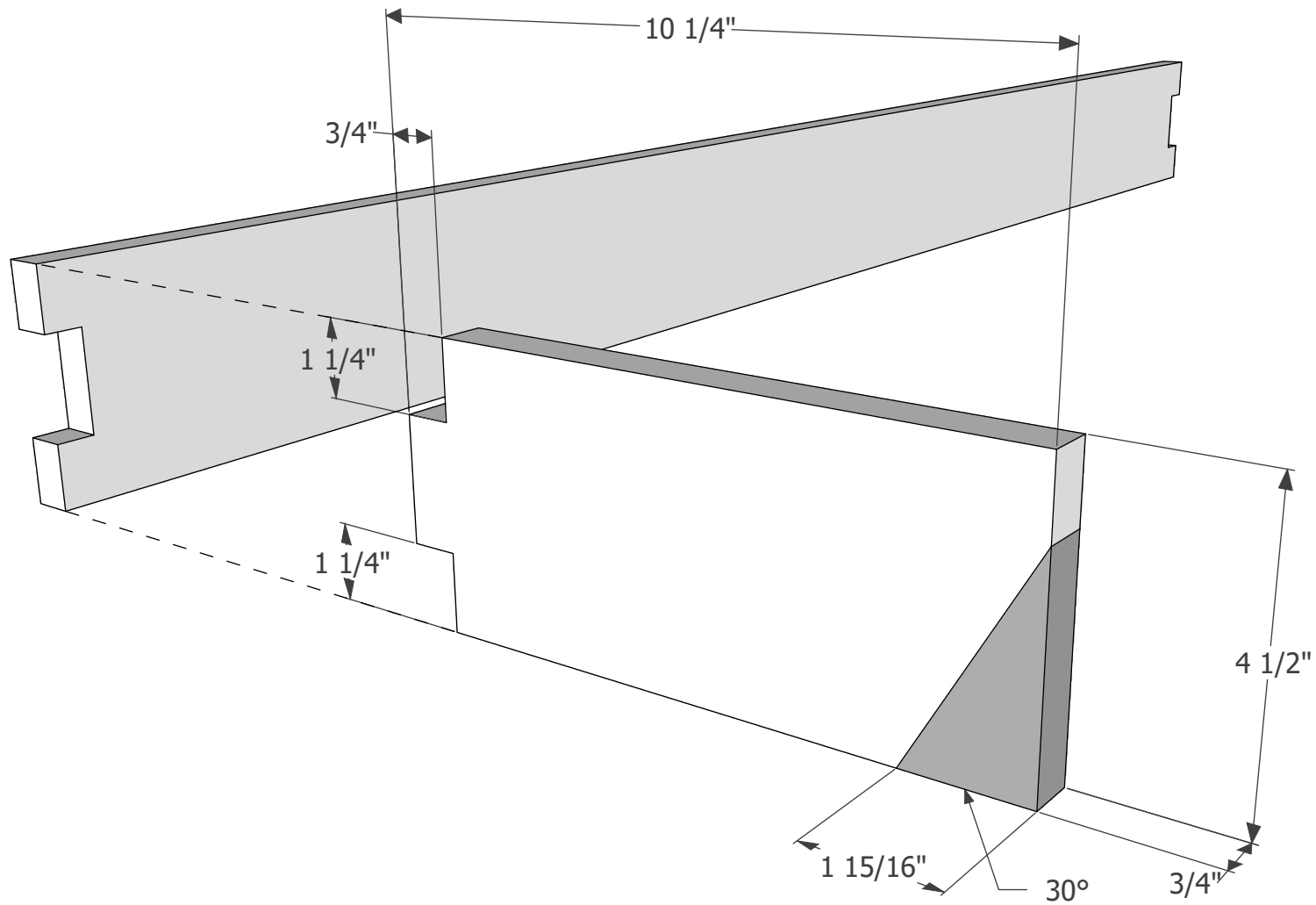
Exploded View



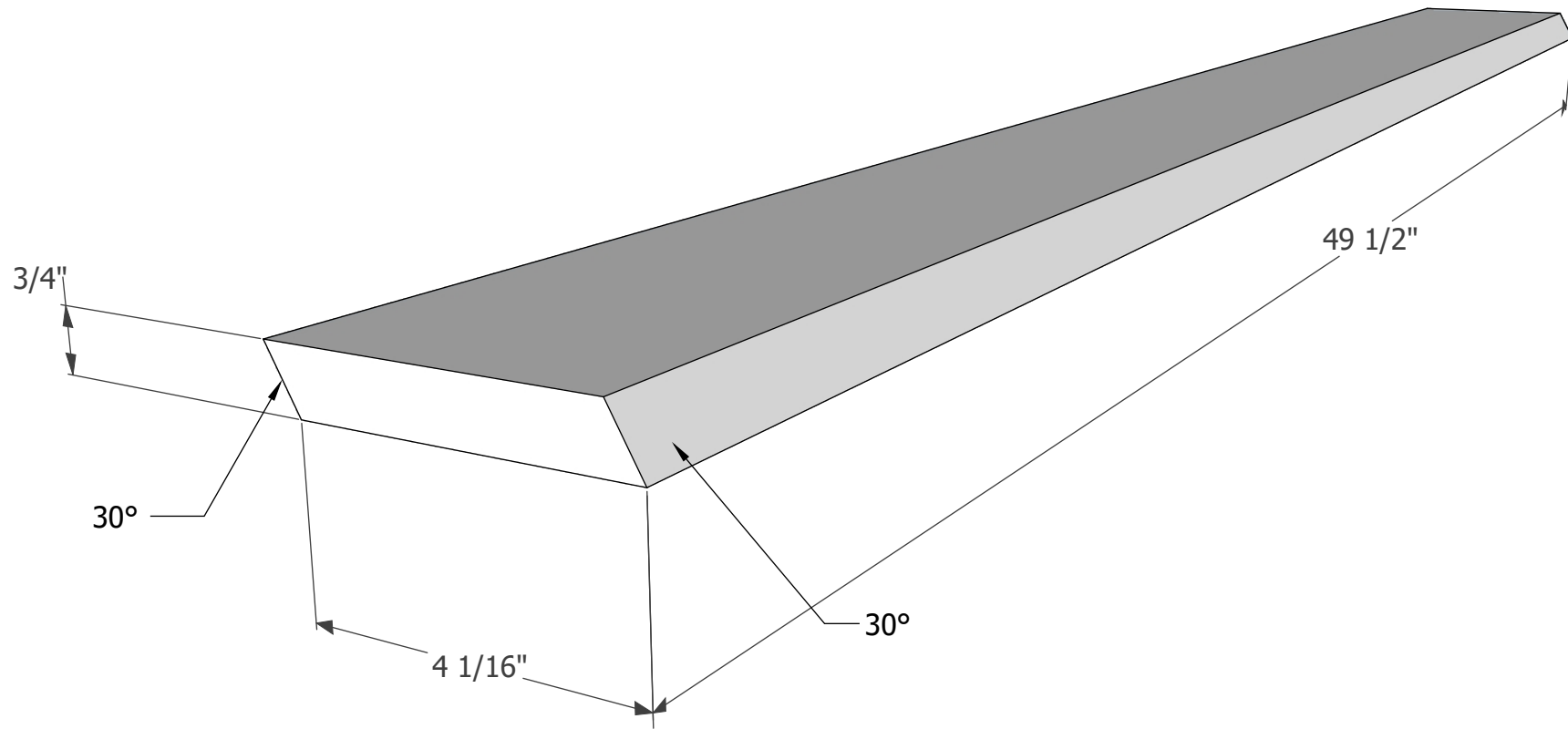
Back Panel



End Cap



Spool Support



Assembly

