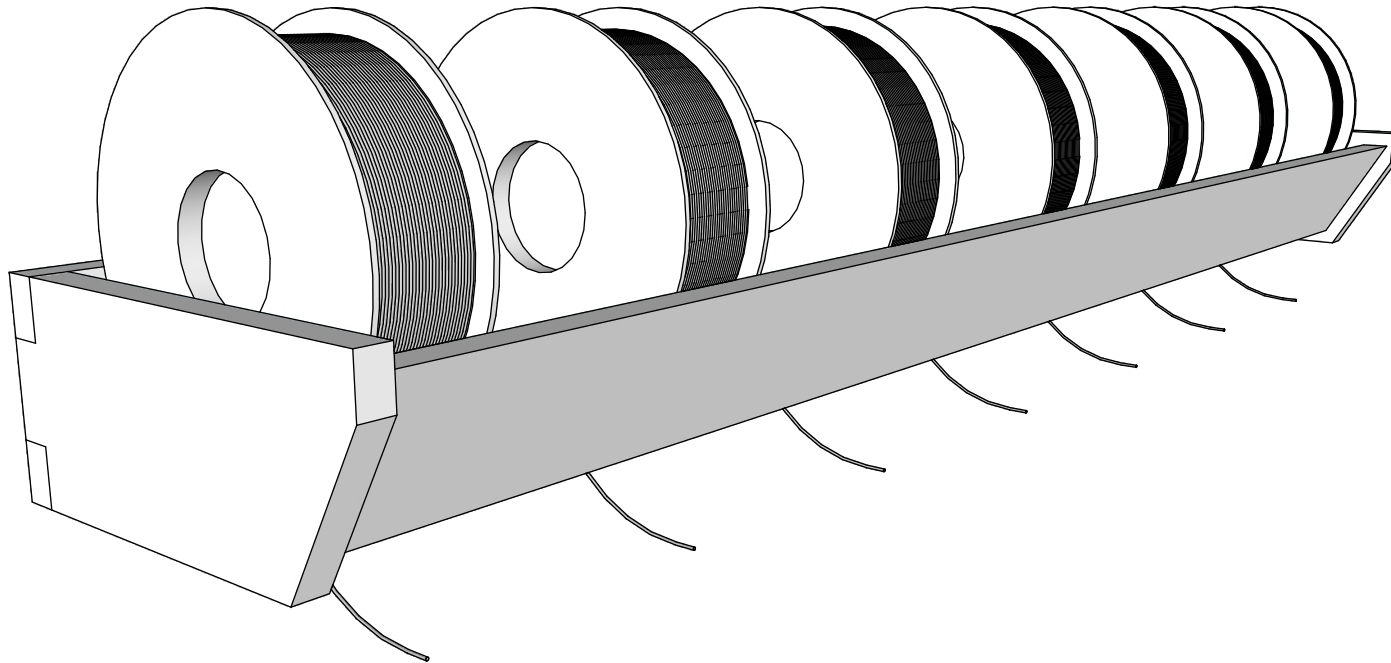


# Filament Rack



Design: Marc Spagnuolo  
Plans: Marc Spagnuolo & Brian Benham  
Version #1

Copyright © 2022 • The Wood Whisperer, Inc. • [TheWoodWhisperer.com](http://TheWoodWhisperer.com)



**TWW**<sup>®</sup>

# Cut List

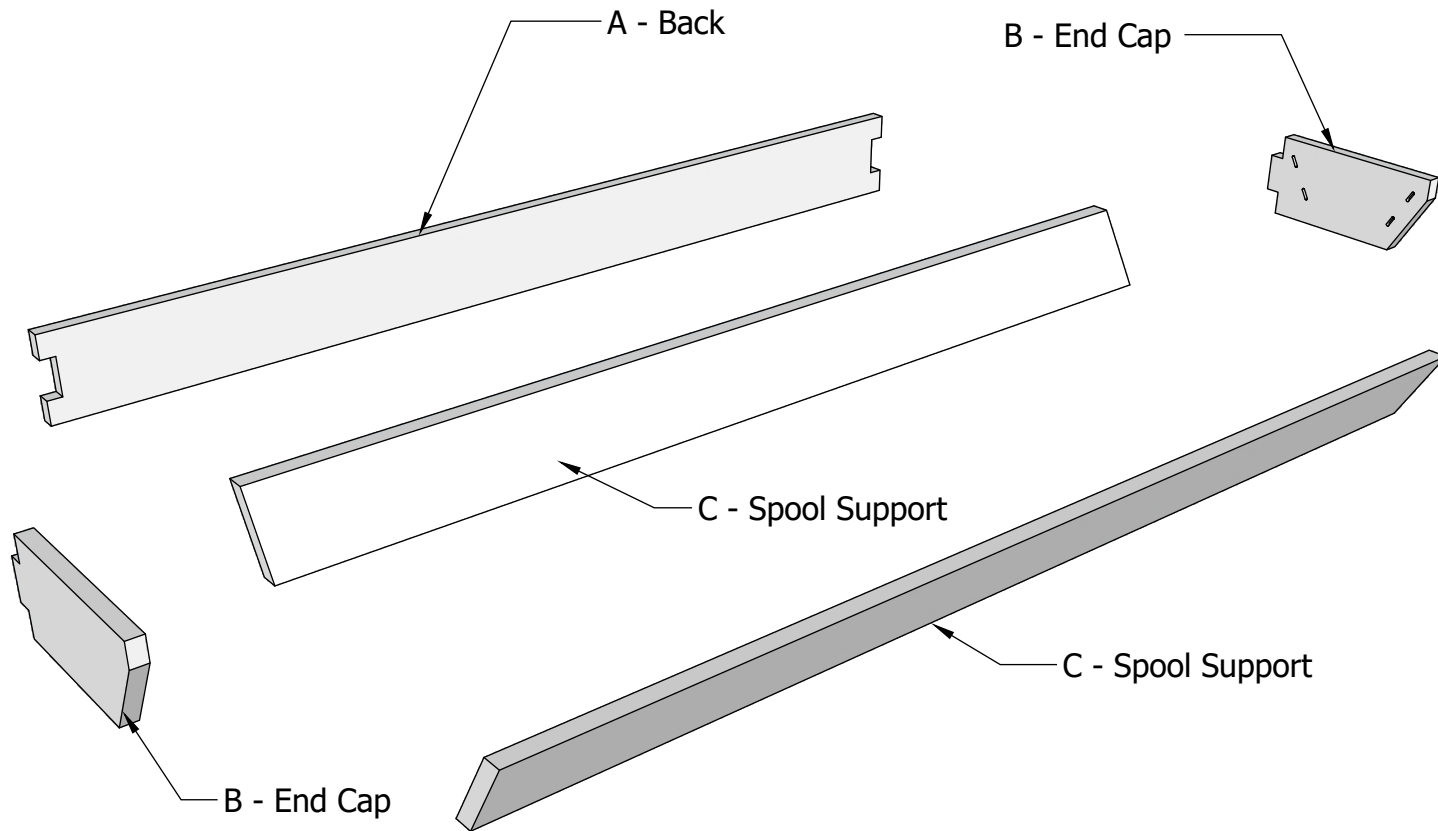
Description	Quantity	Material	Width	Length	Thickness
A - Back	1	4/4 Hardwood	114mm	1295mm	19mm
B - End Cap	2	4/4 Hardwood	114mm	260mm	19mm
C - Spool Support	2	4/4 Hardwood	114mm	1257mm	19mm

# Materials List

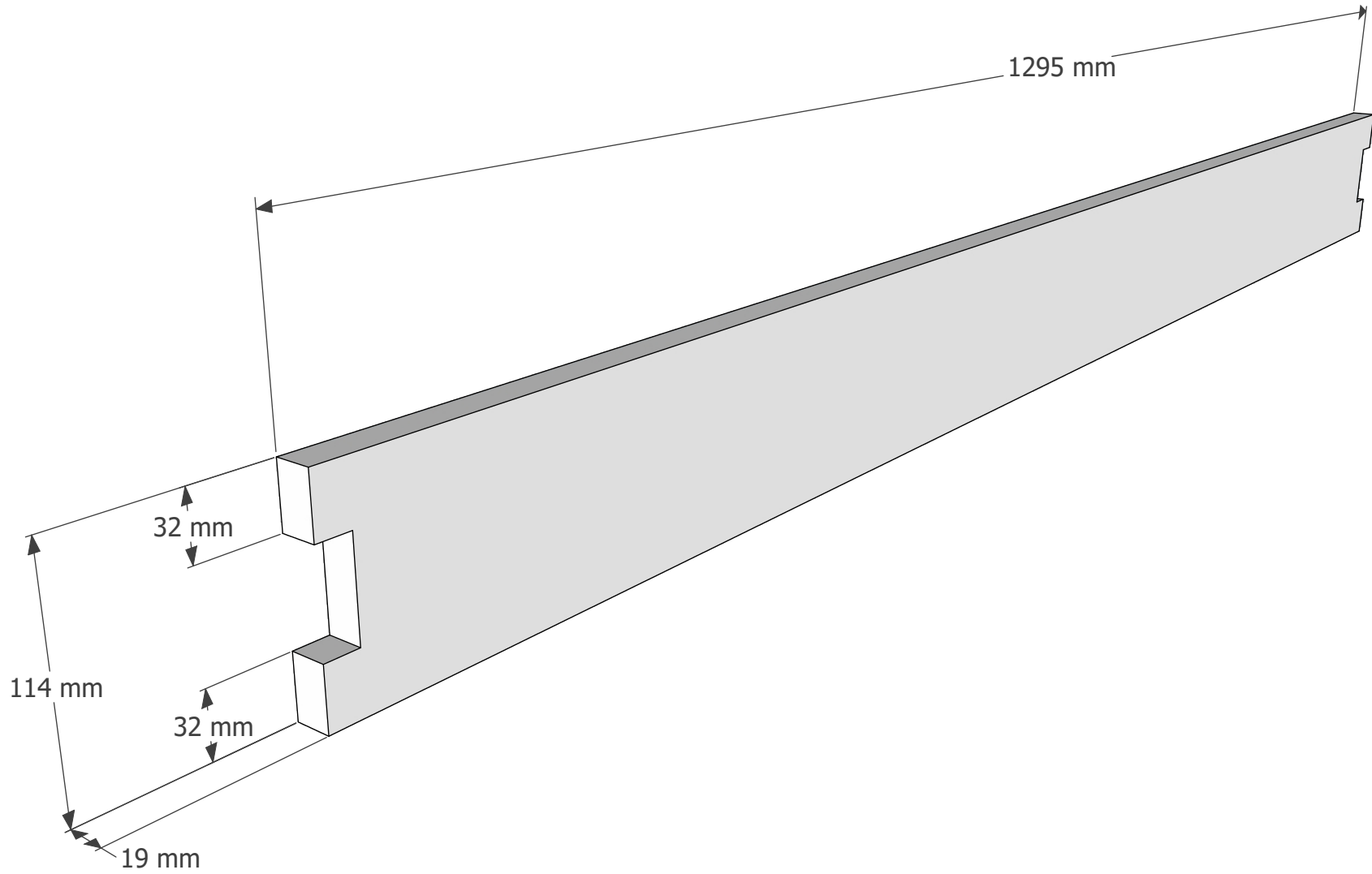
- 8BF - 4/4 Hardwood (20% waste added in)
- Assorted Dominos or joinery method of your choice

**IMPORTANT! These plans were converted from imperial measurements, and rounded to the nearest mm. It is recommended you use relative dimensioning to ensure a good fit.**

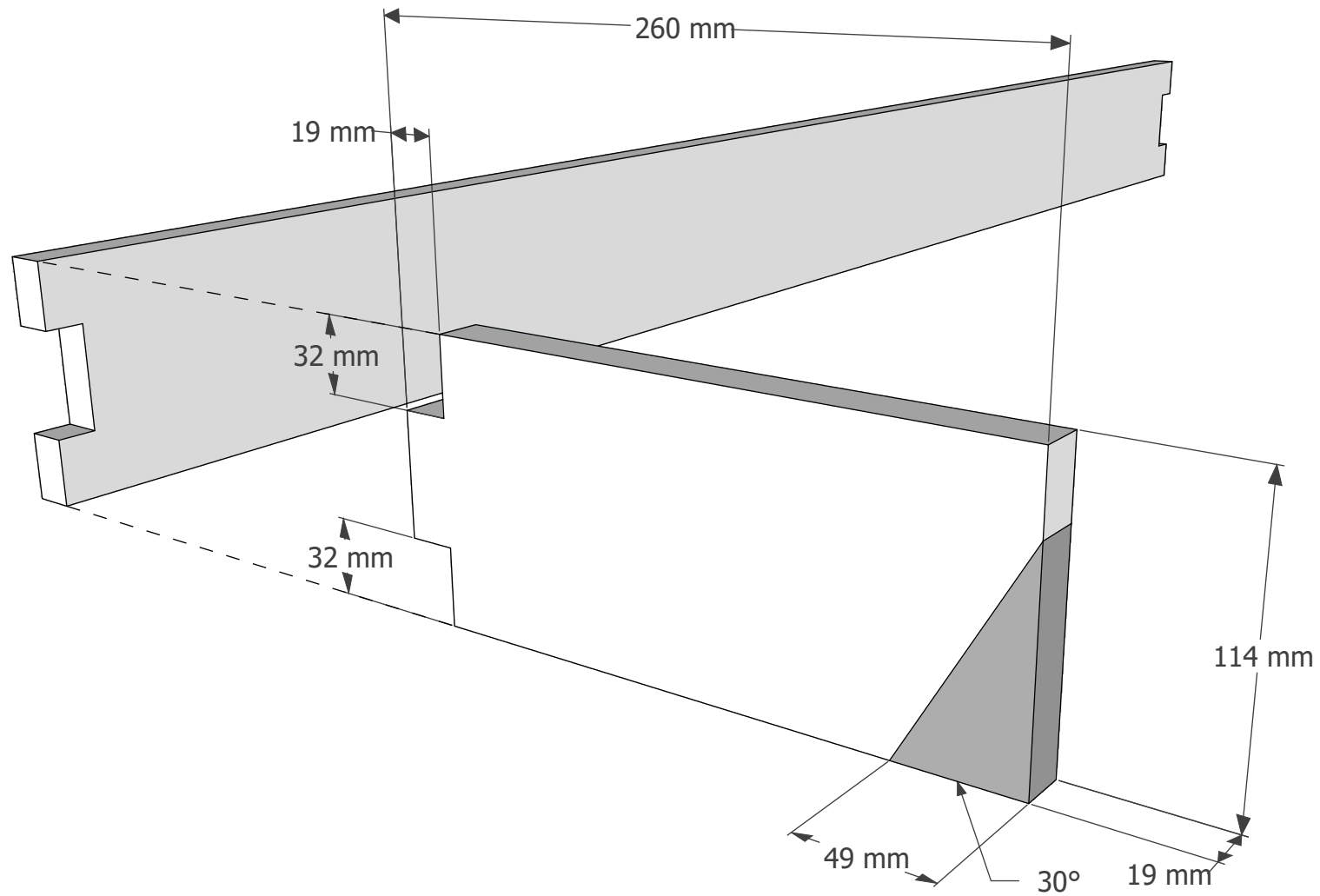
# Exploded View



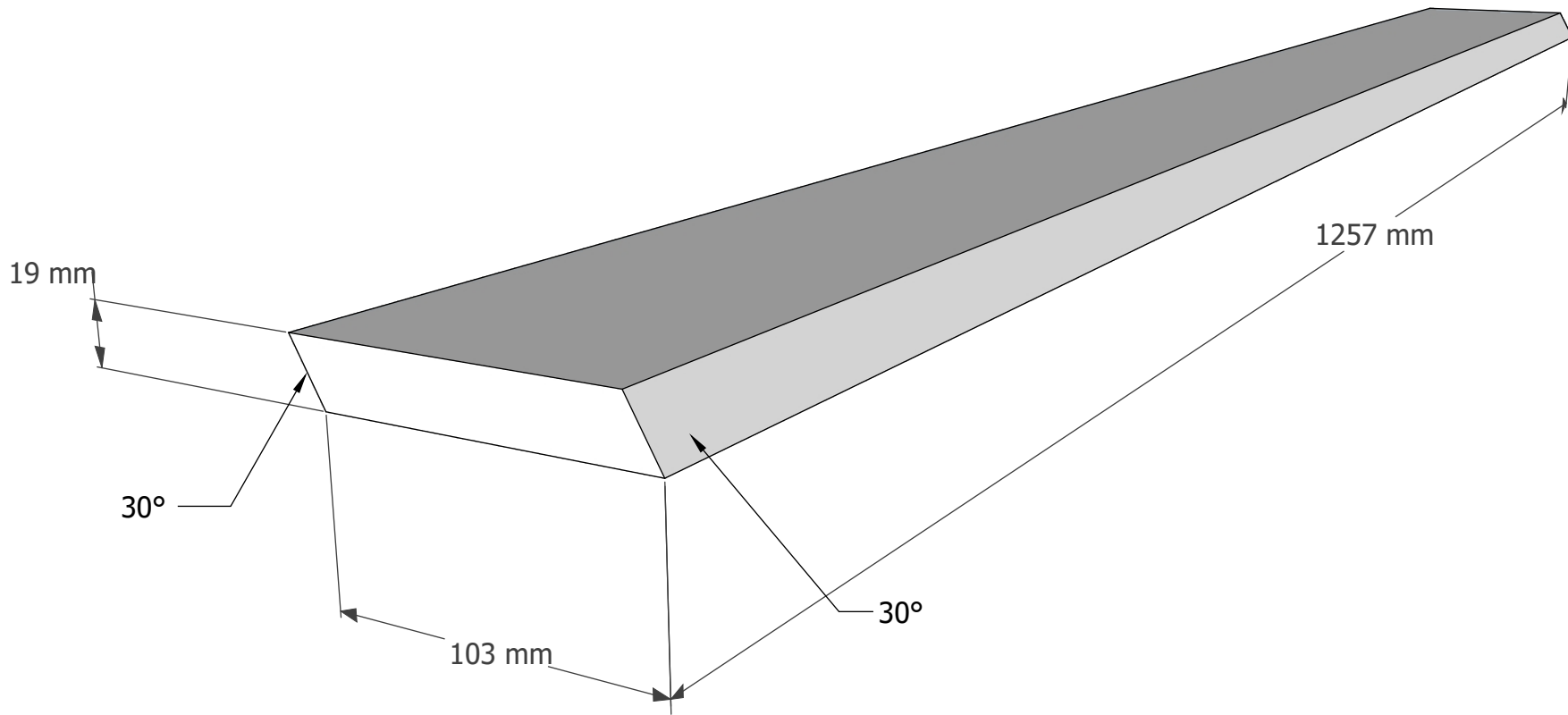
# Back Panel



# End Cap



# Spool Support



# Assembly

