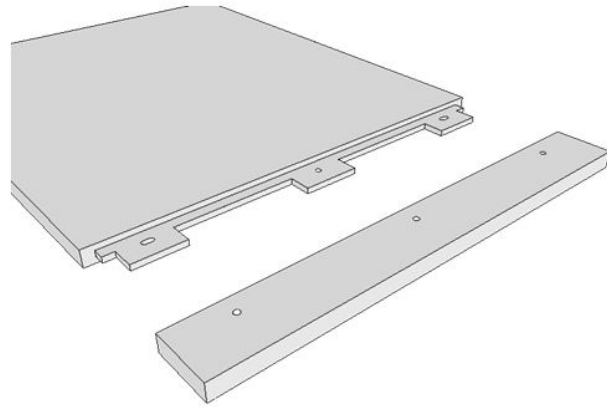
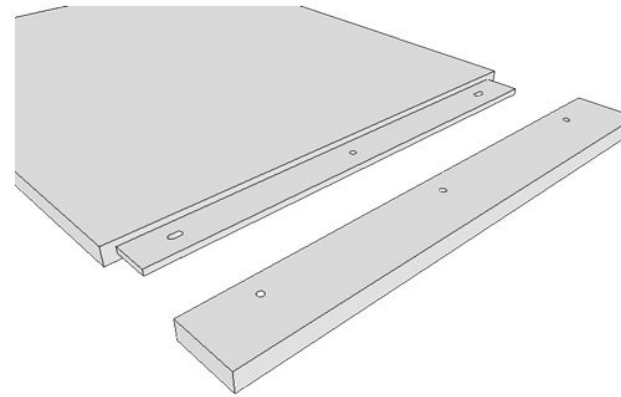


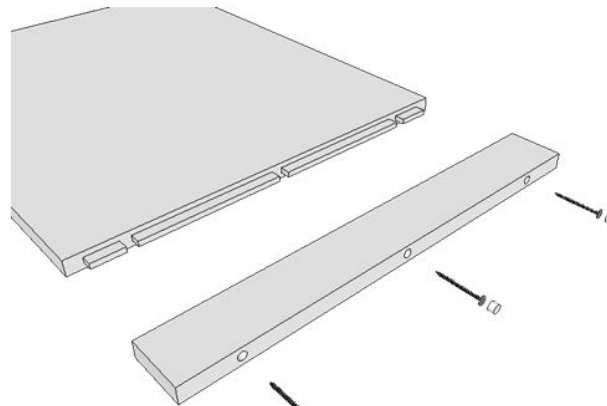
4 Ways to Make Breadboard Ends



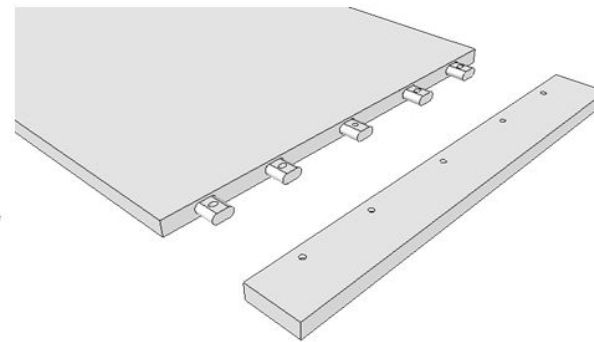
Haunched Tenon



Full Tenon

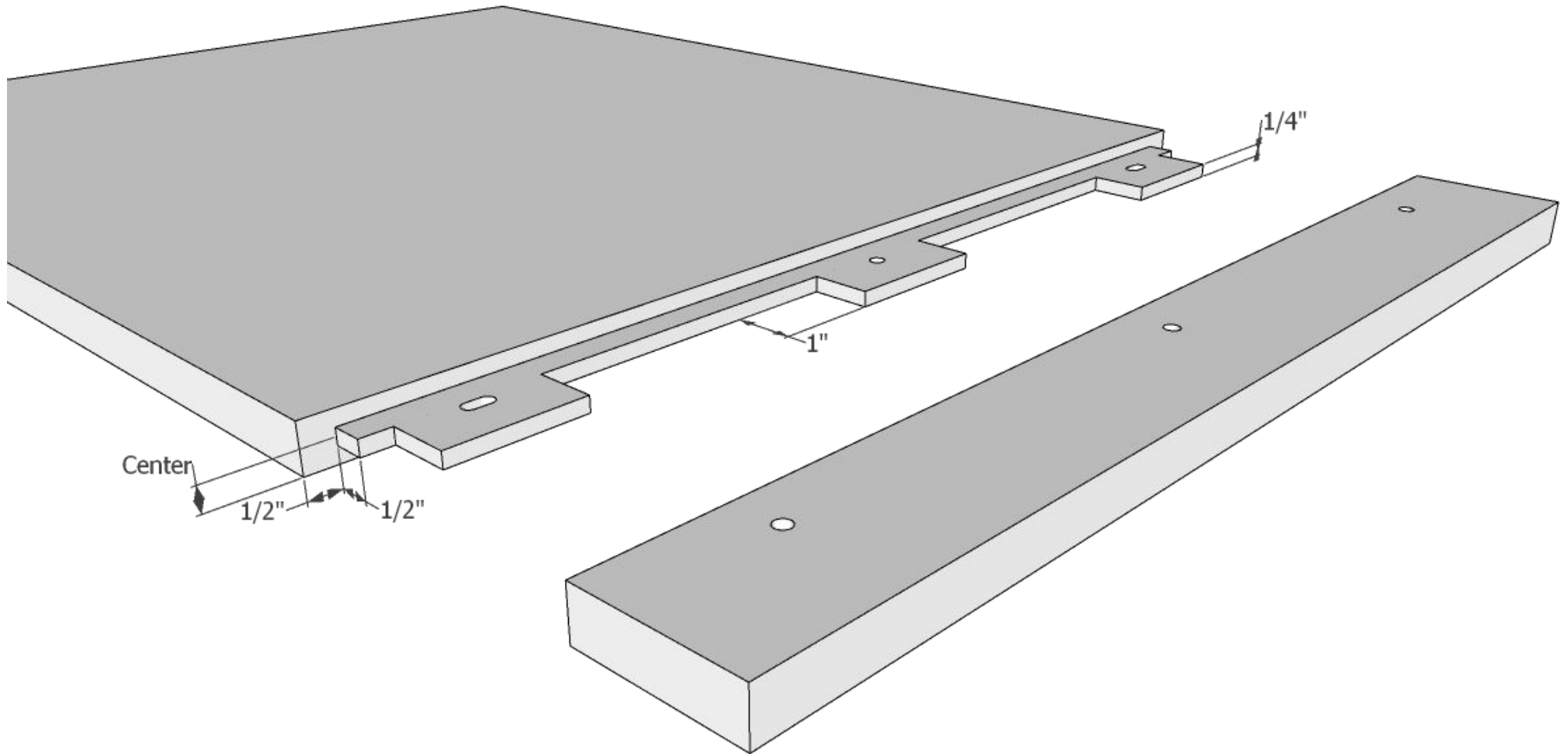


G&G Tenon

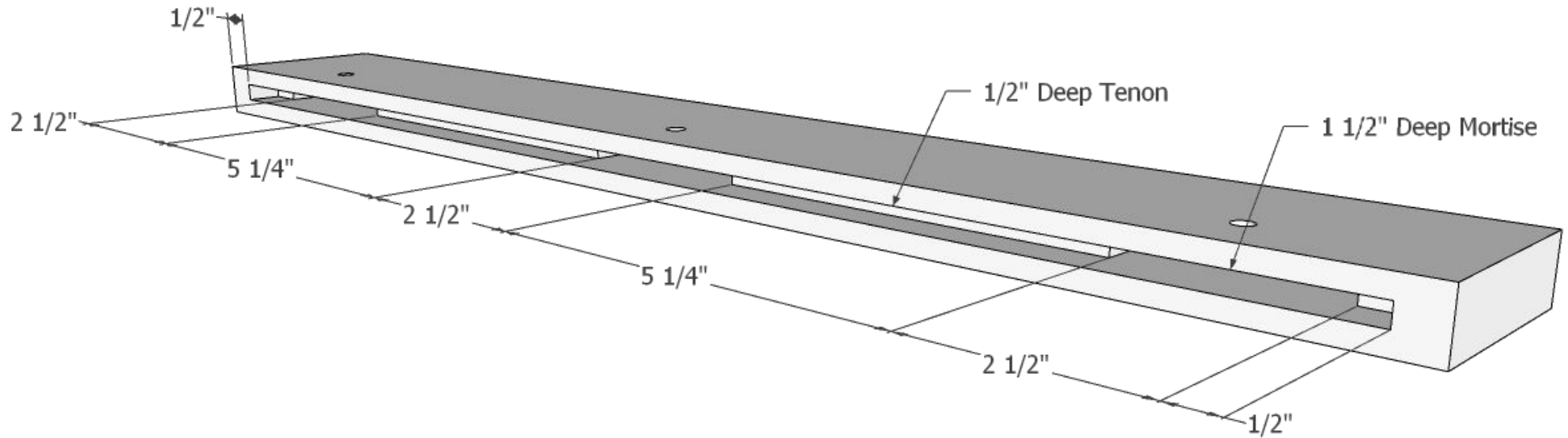


Domino Tenon

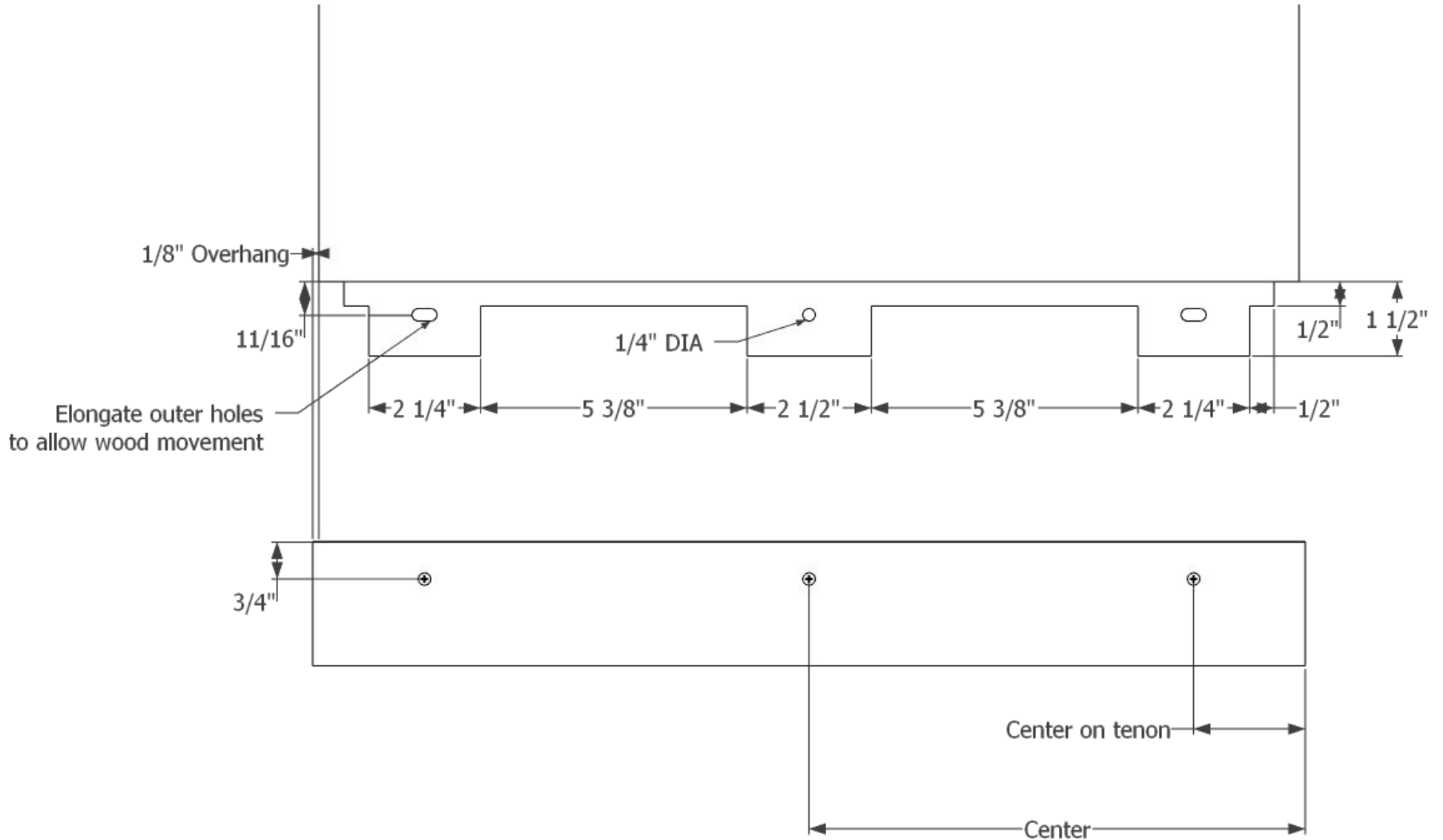
Haunched Breadboard Assembly



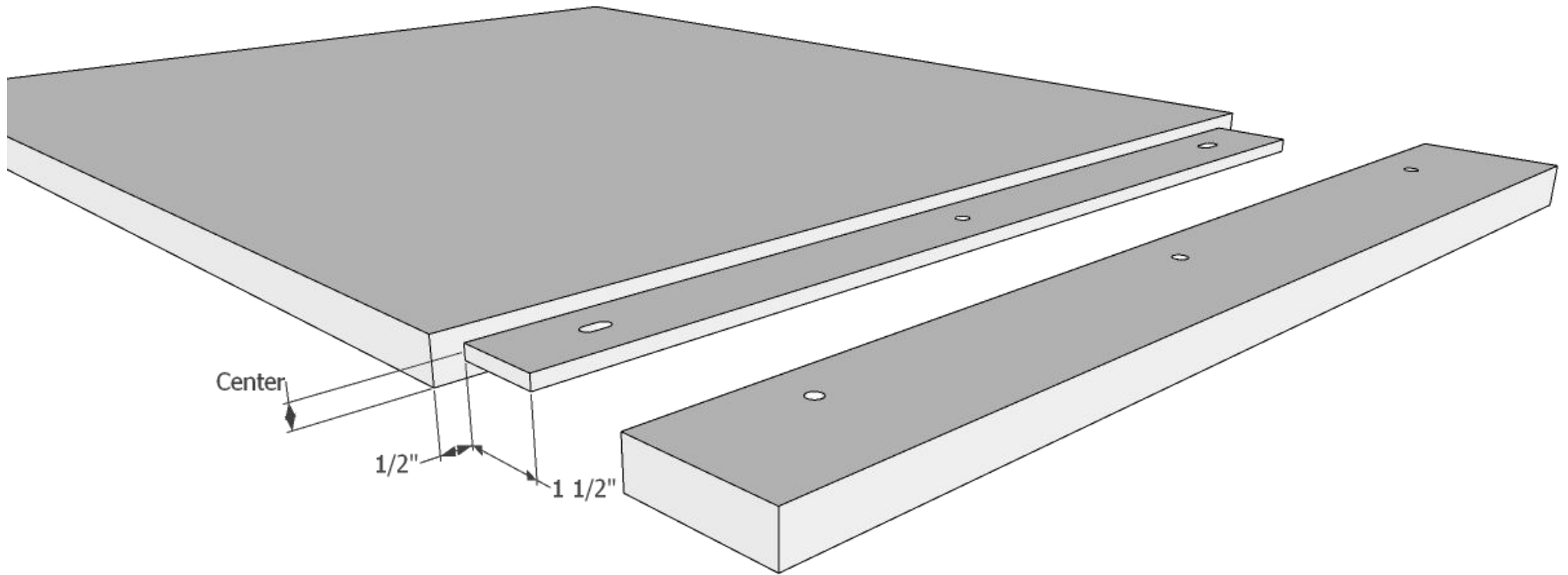
Haunched Breadboard Detail



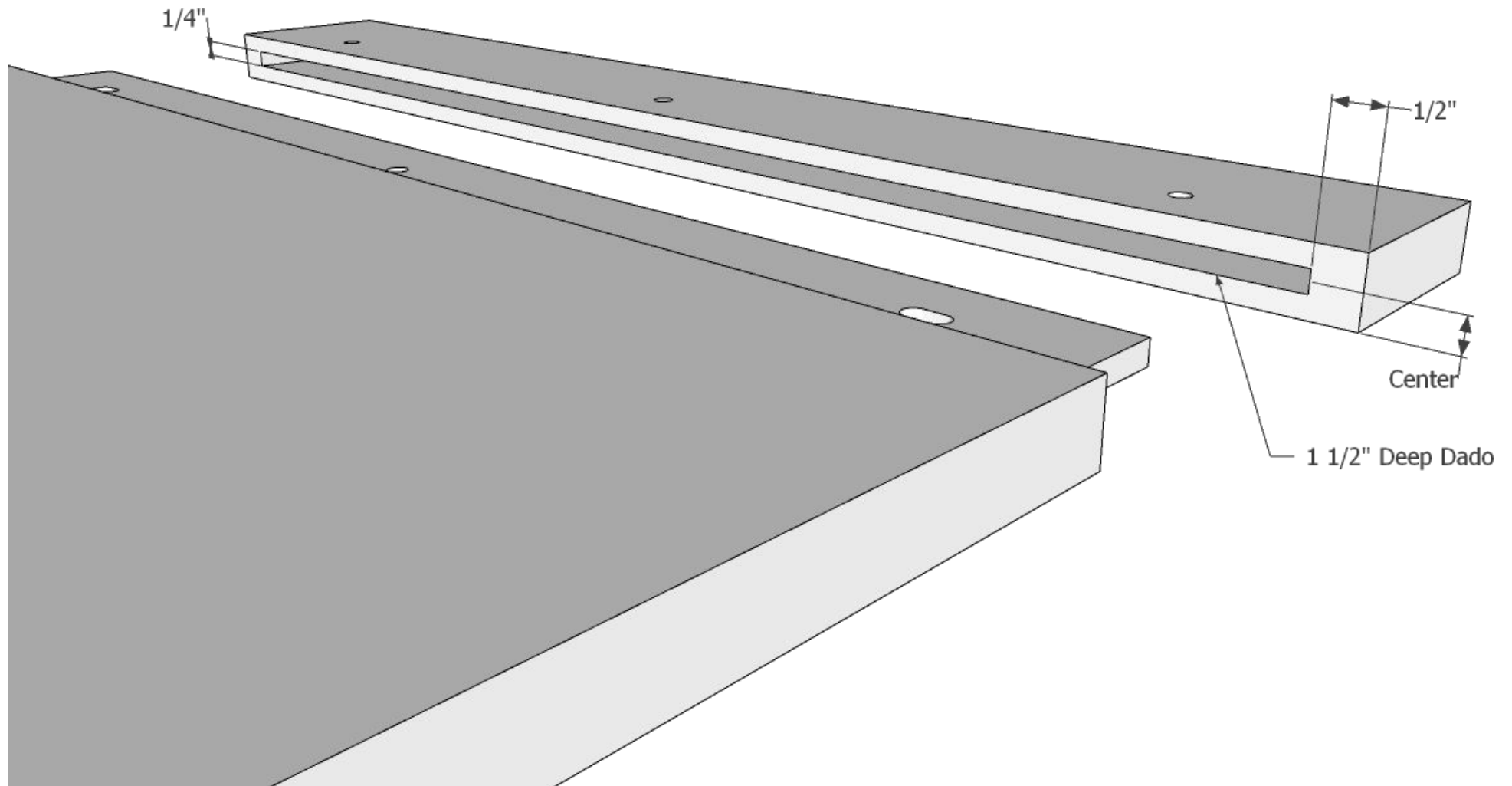
Hunched Breadboard Plan View



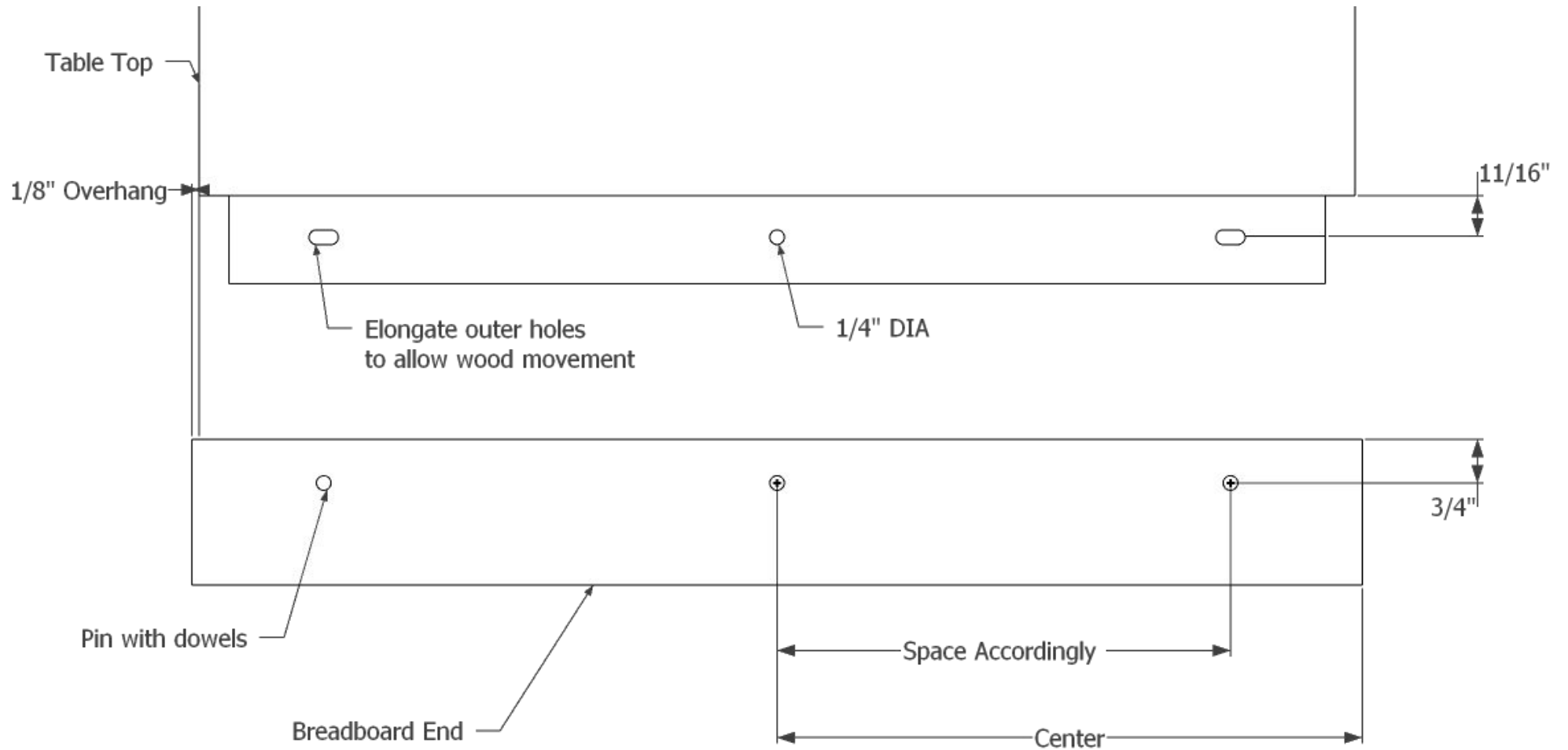
Full Tenon Breadboard Assembly



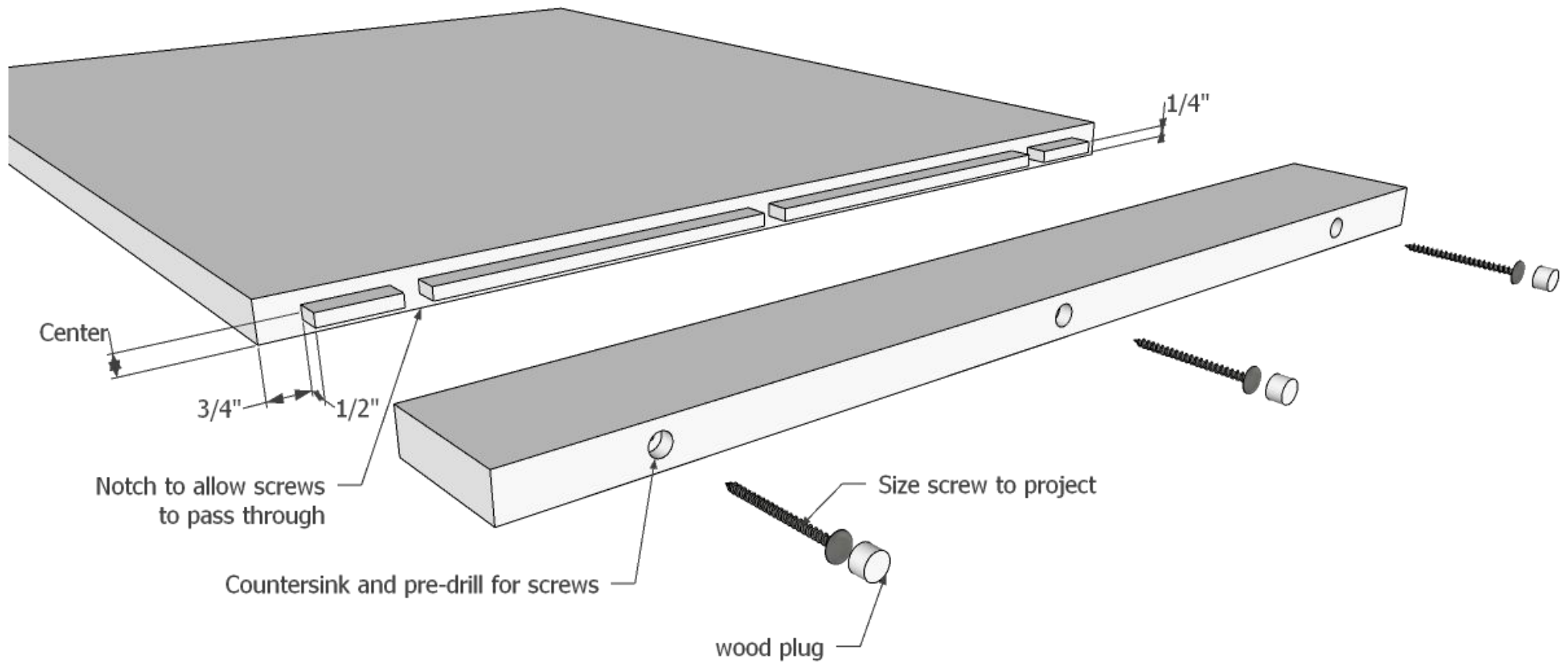
Full Tenon Breadboard Detail



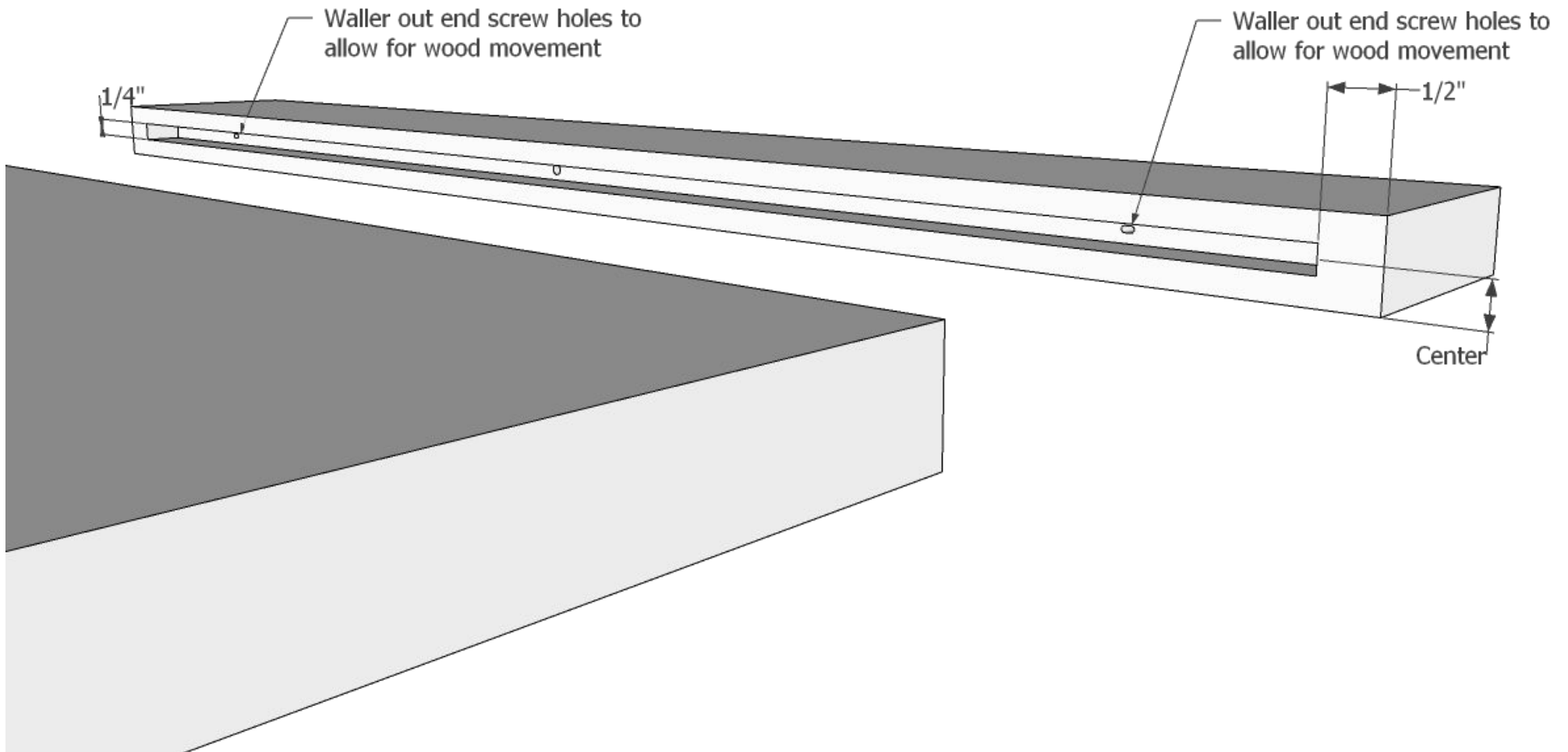
Full Tenon Breadboard Plan View



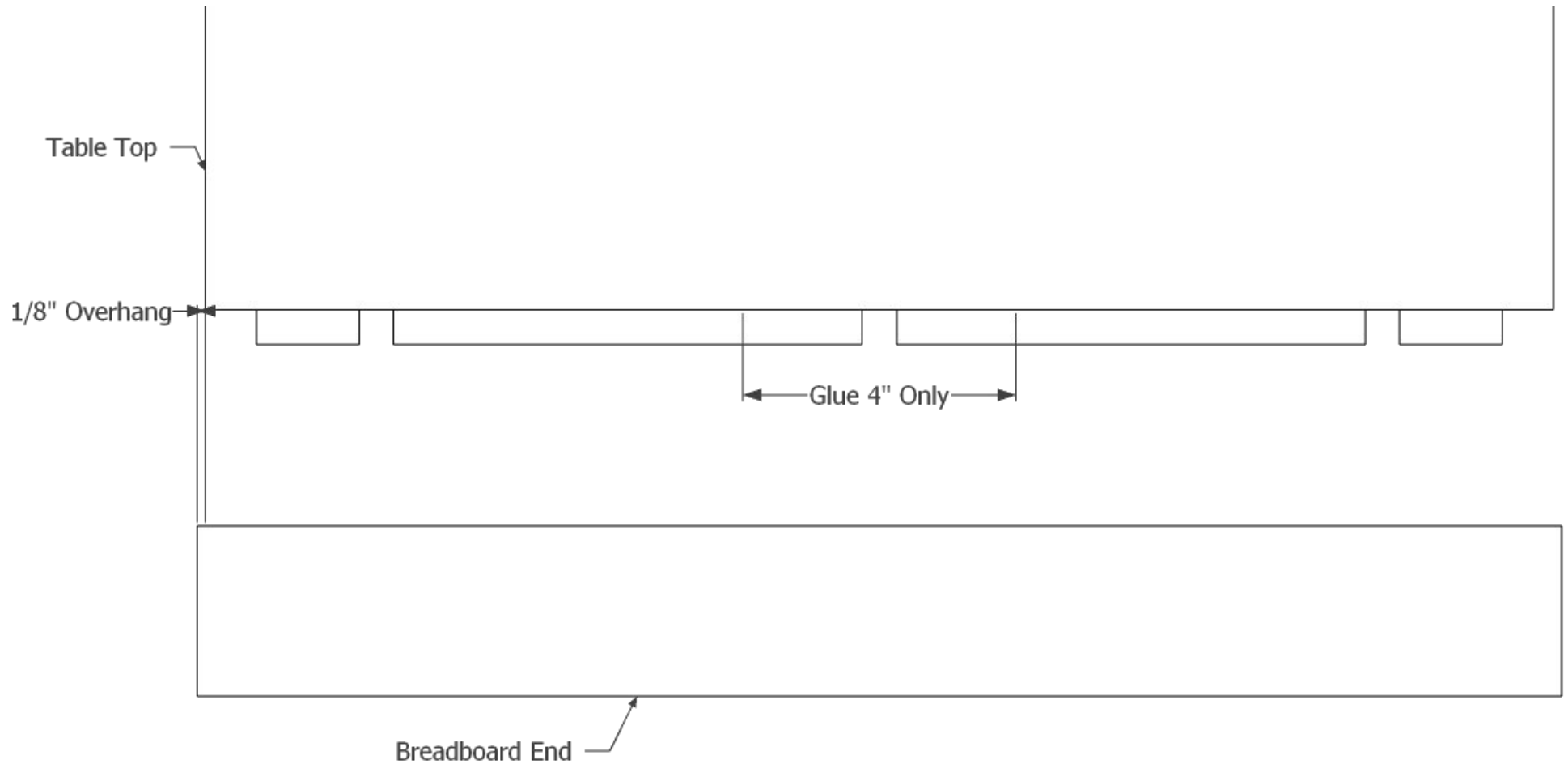
G&G Breadboard Assembly



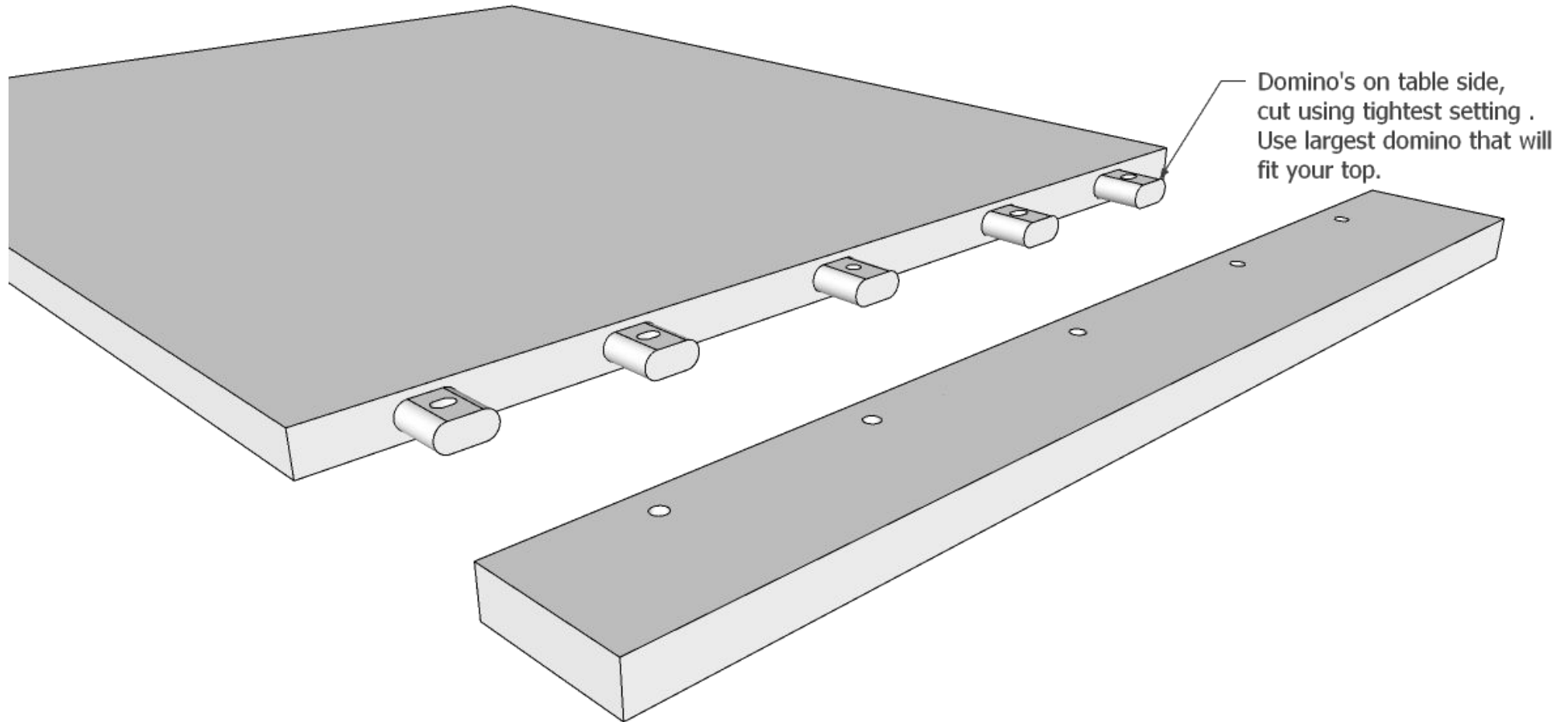
G&G Breadboard Detail



G&G Breadboard Plan View



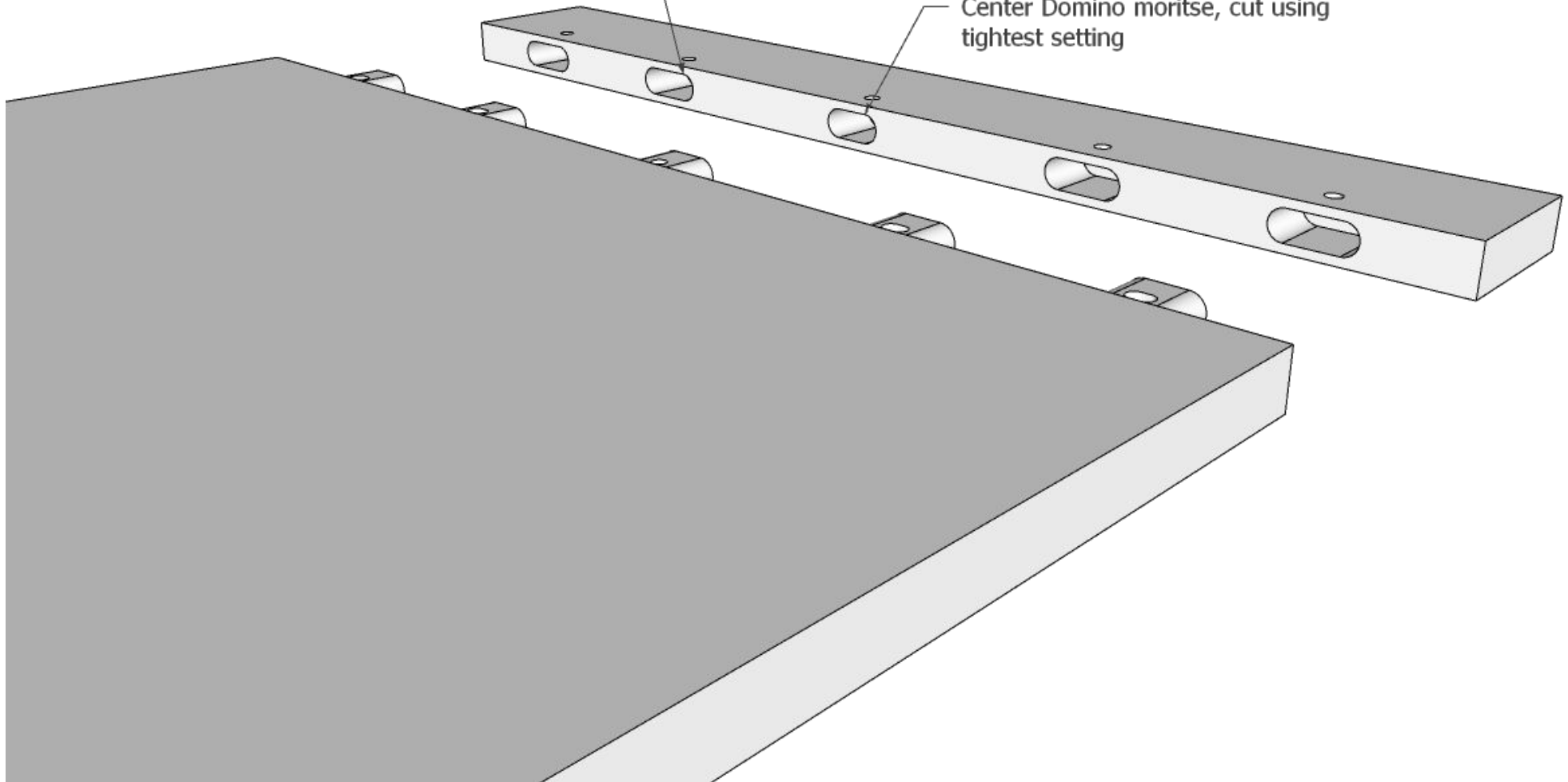
Domino Breadboard Assembly



Domino Breadboard Detail

All other Domino mortises,
cut using looser setting

Center Domino mortise, cut using
tightest setting



Domino Breadboard Plan View

