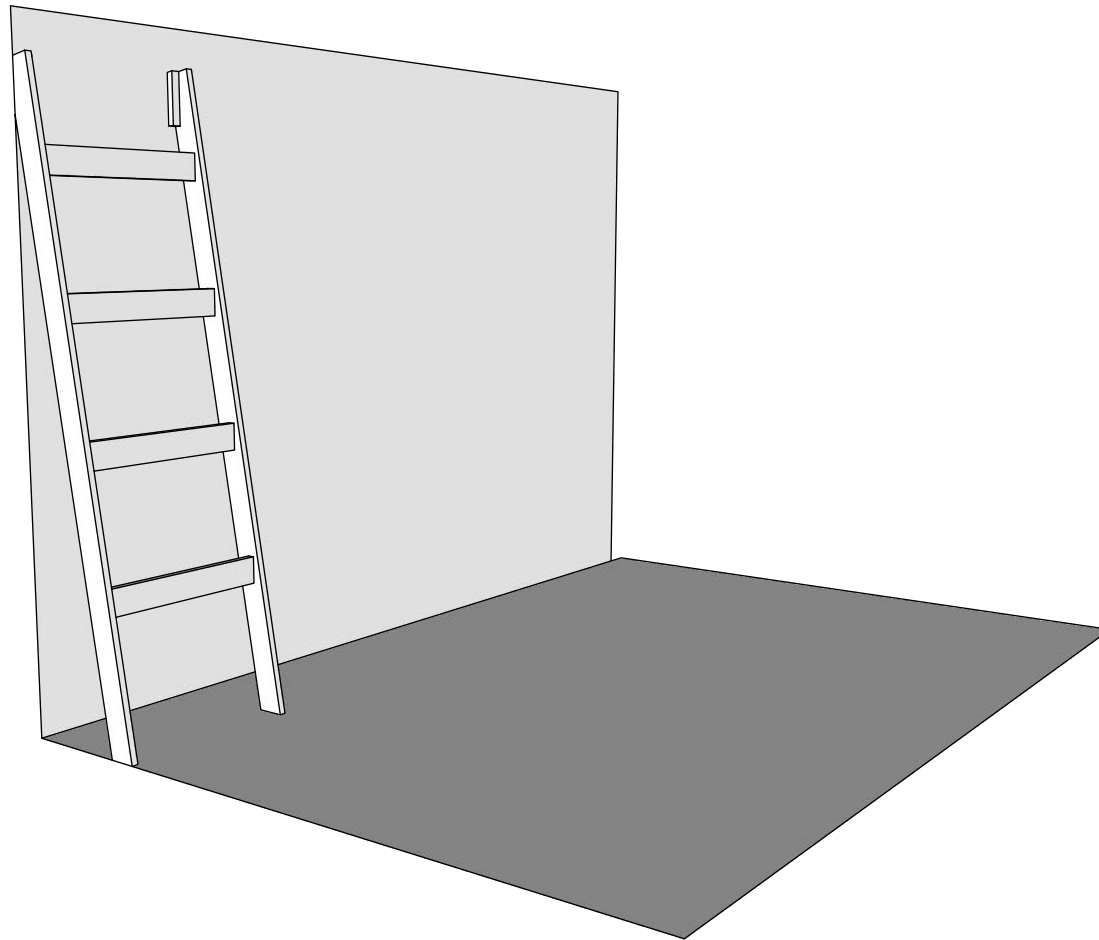


Blanket Ladder



Design: Marc Spagnuolo
Plans: Marc Spagnuolo & Brian Benham
Version #1

Copyright © 2021 • The Wood Whisperer, Inc. • TheWoodWhisperer.com



TWW[®]

Cut List

Description	Quantity	Width - final	Length - final	Thickness - final	Material
A - Leg	2	3"	72"	3/4"	1" x 3" x 8'
B - Rung	4	3"	20 1/2"	3/4"	1" x 3" x 8'
C - Cleat	2	1"	5 7/8"	3/4"	1" x 3" x 8'
Dowel Peg	16	3/8"	1 1/4"	3/8"	Dowel Peg
Drill Jig	1	3"	12"	3/4"	1" x 3" x 8'



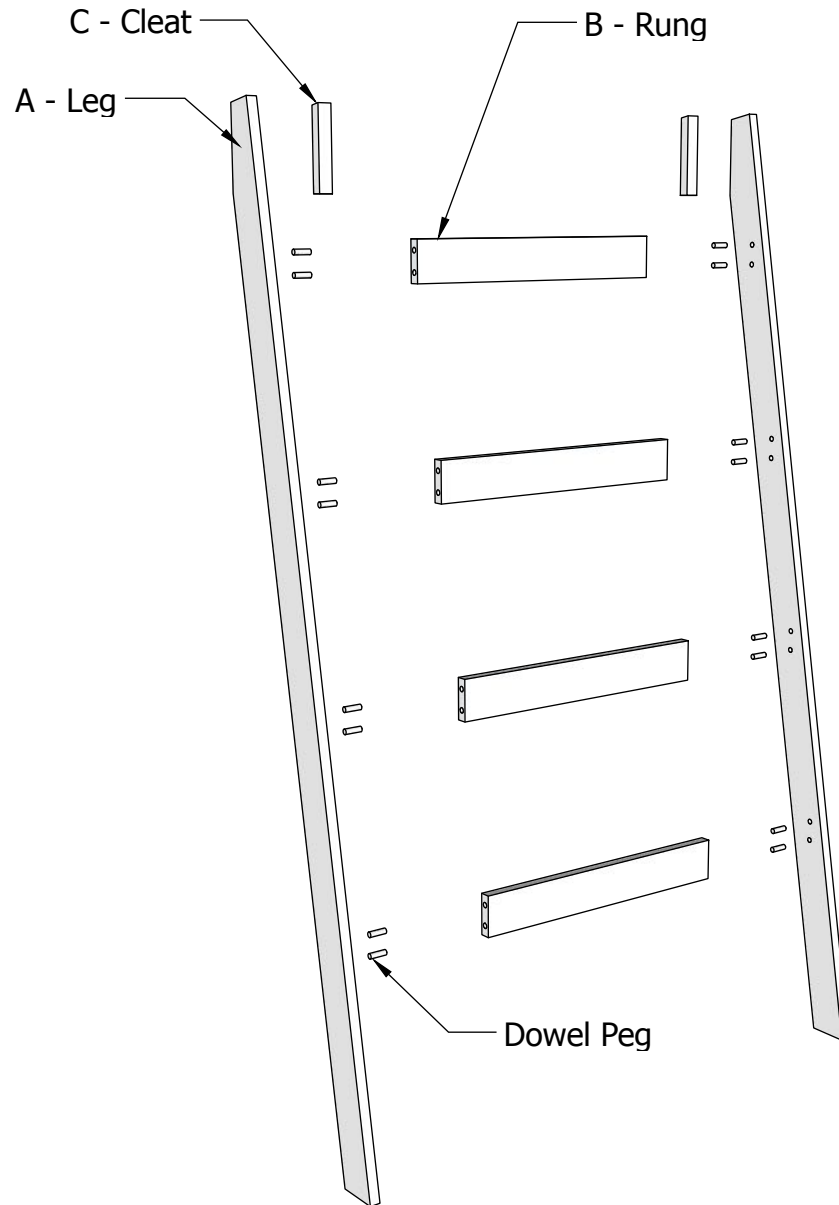
Material List

3 EA - 1" x 3" x 8'

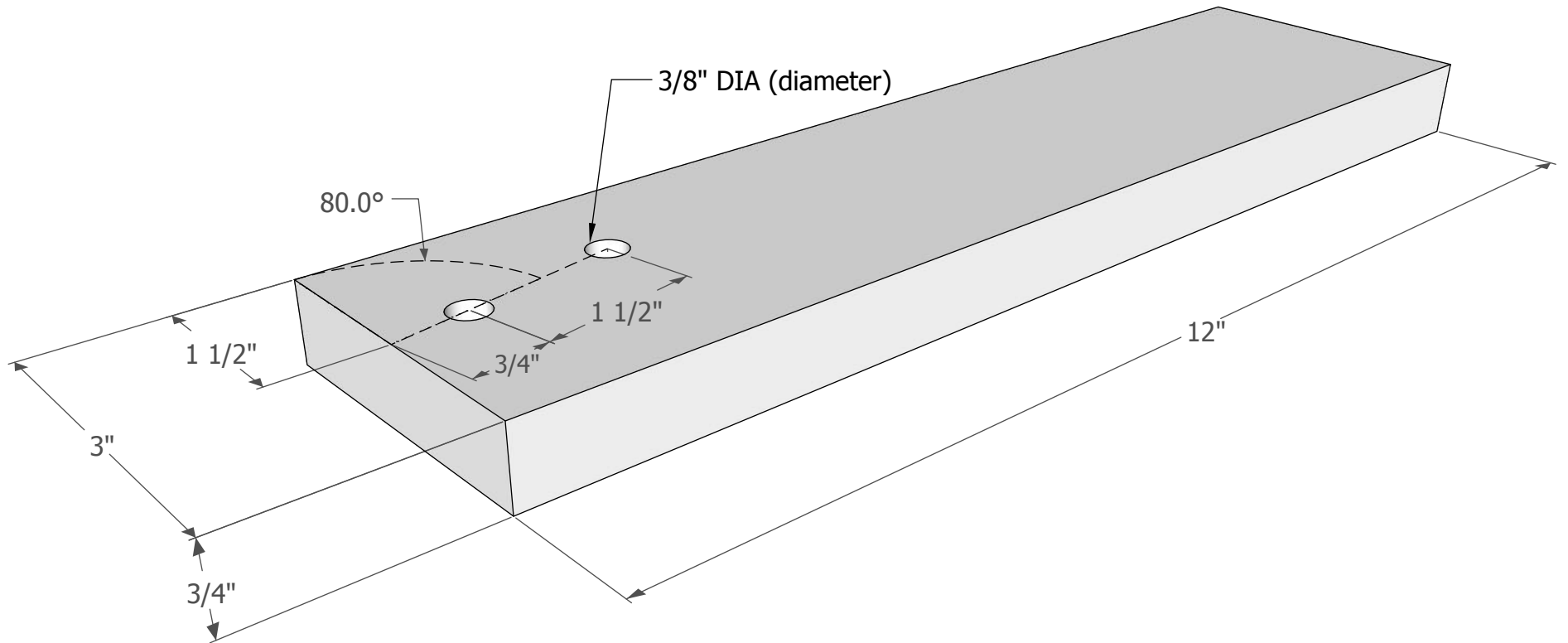
16 EA - Dowel Pegs

2 EA - Mounting Hardware

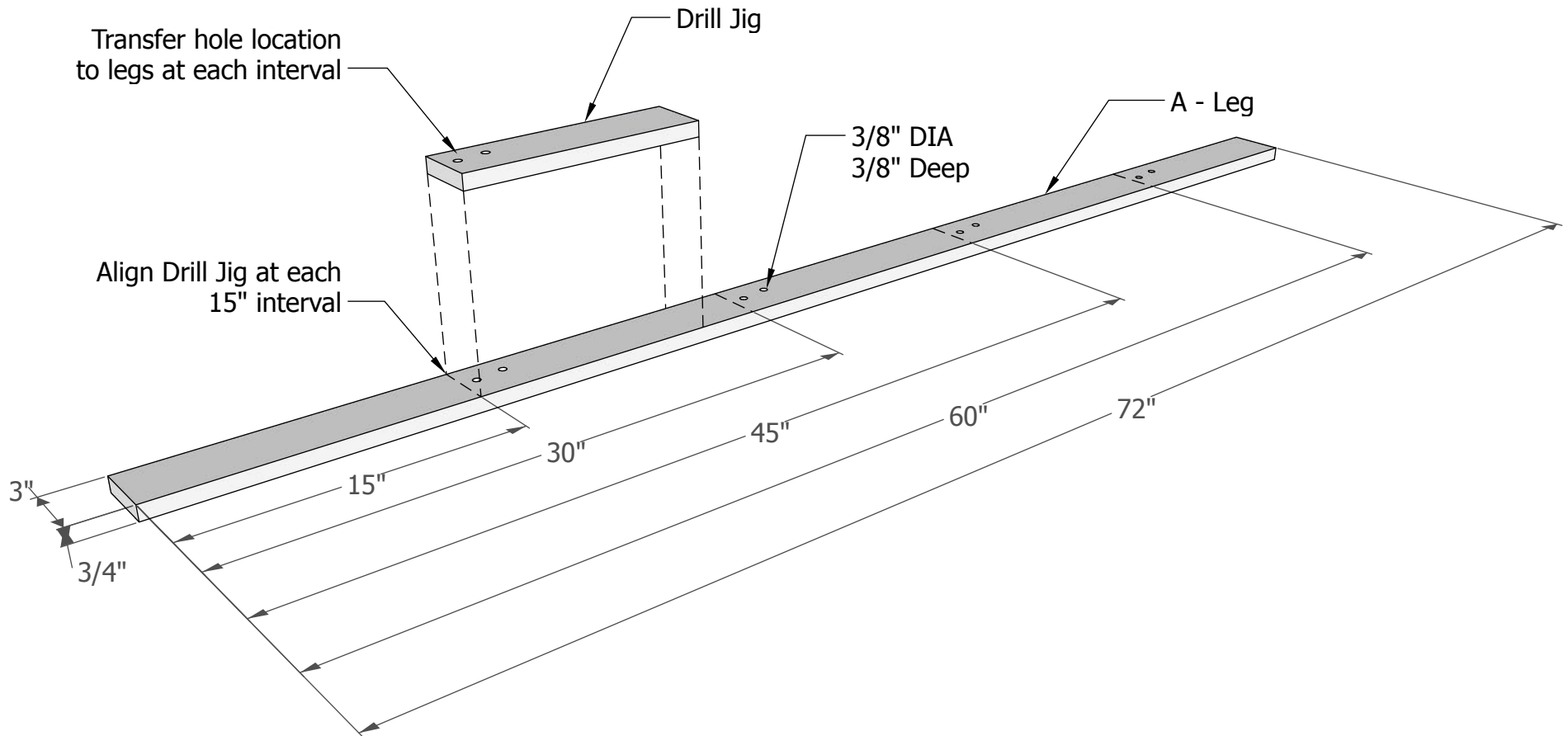
Exploded View



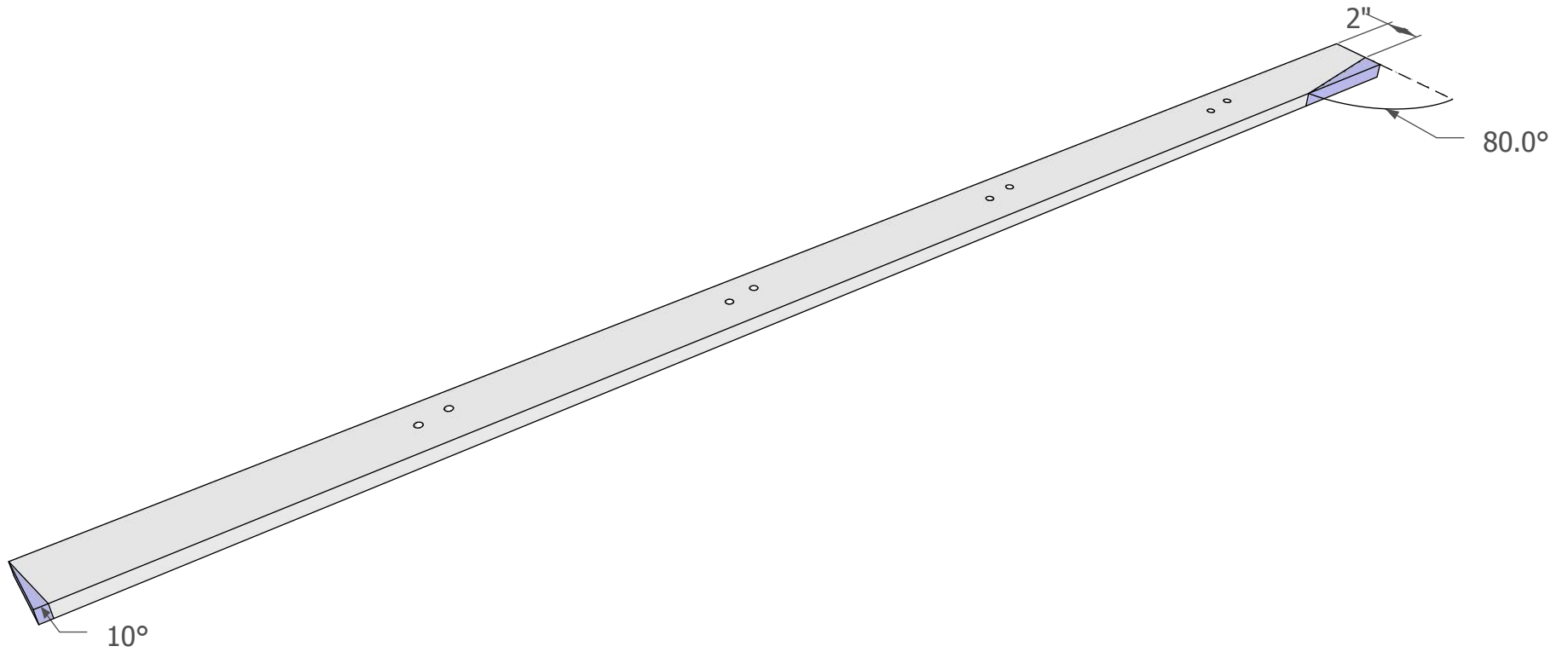
Drill Jig



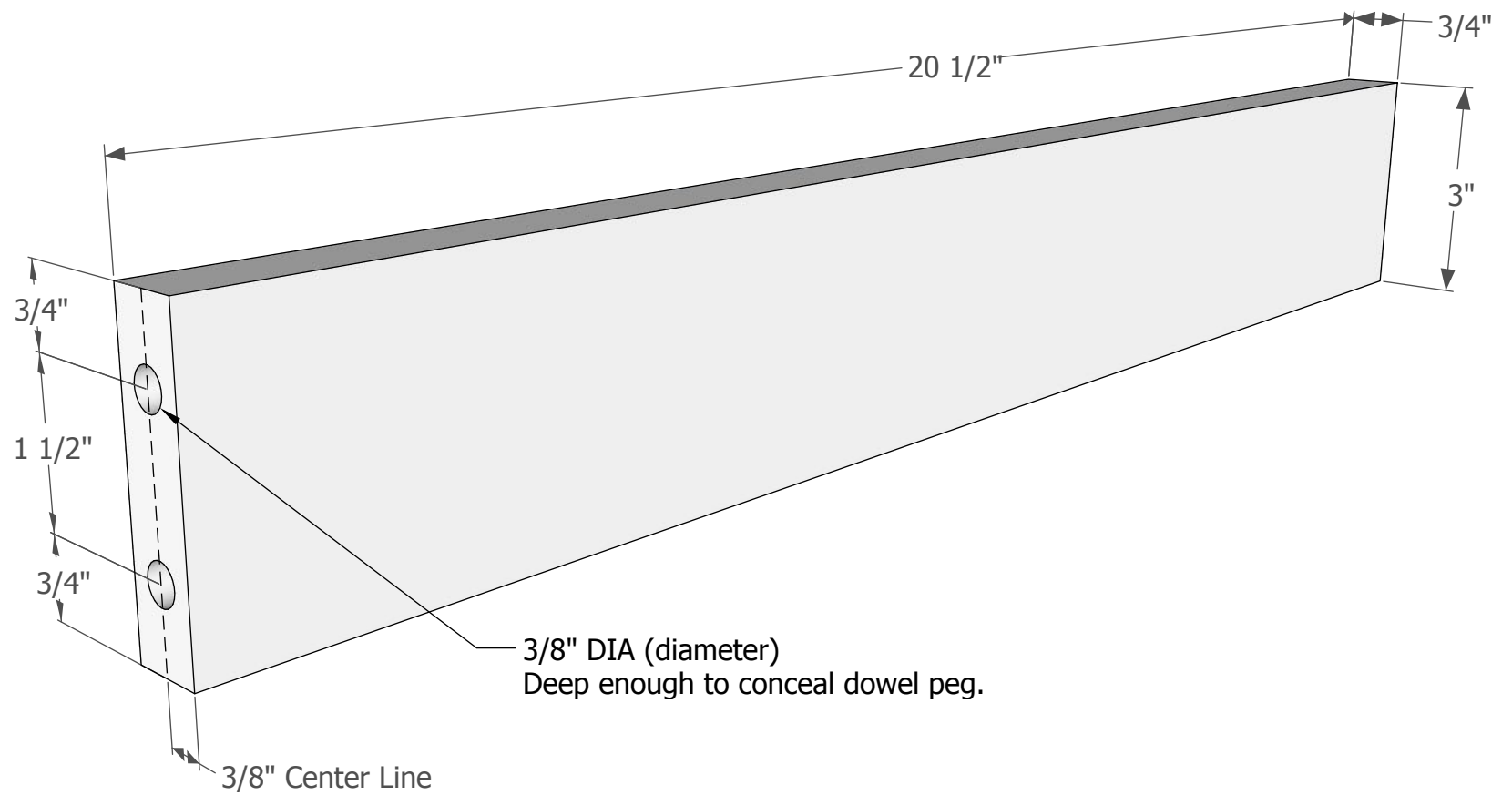
Leg Drill Hole Layout



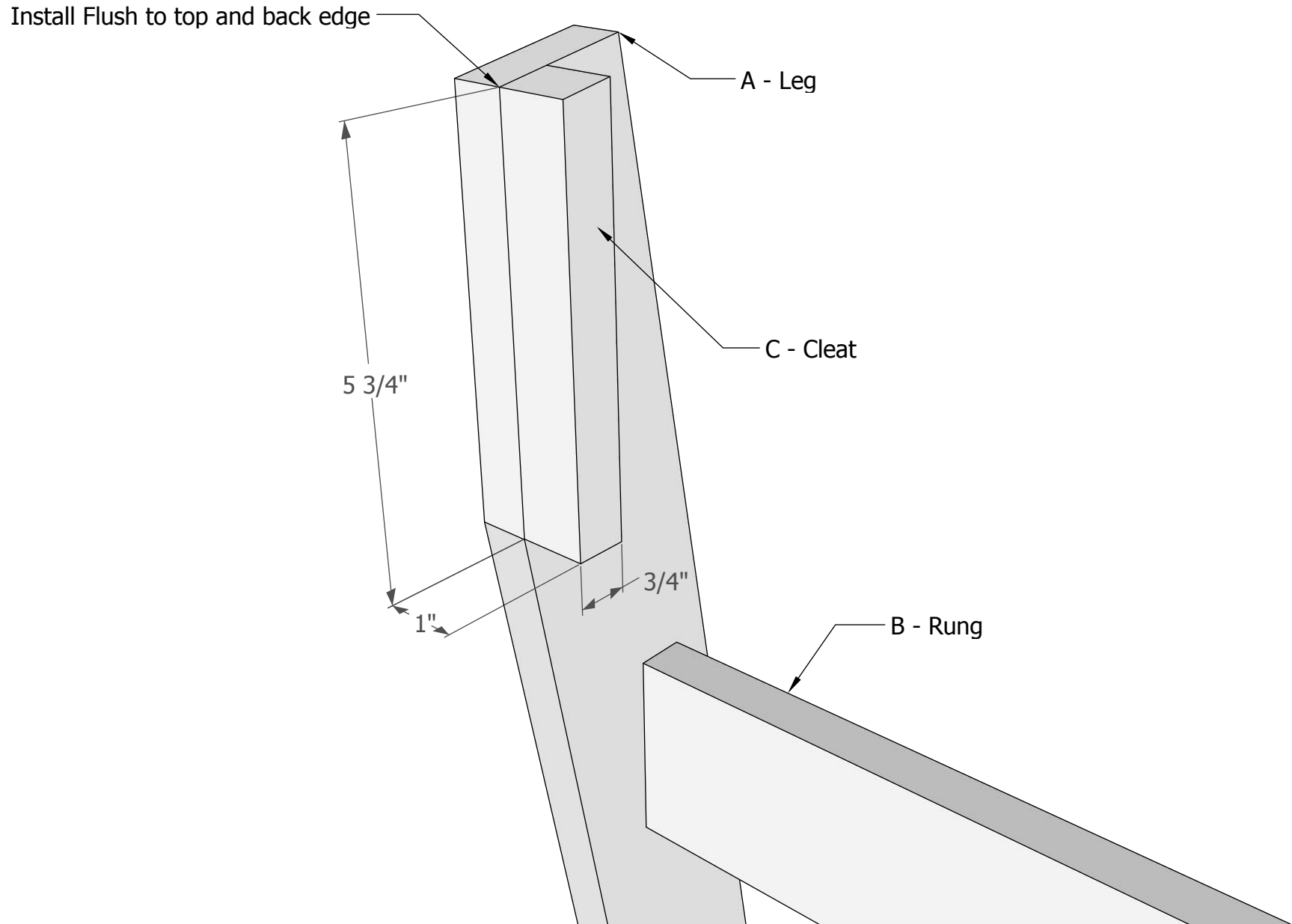
Cut Leg Angle



Rung Detail



Cleat Detail



Cut Diagram

