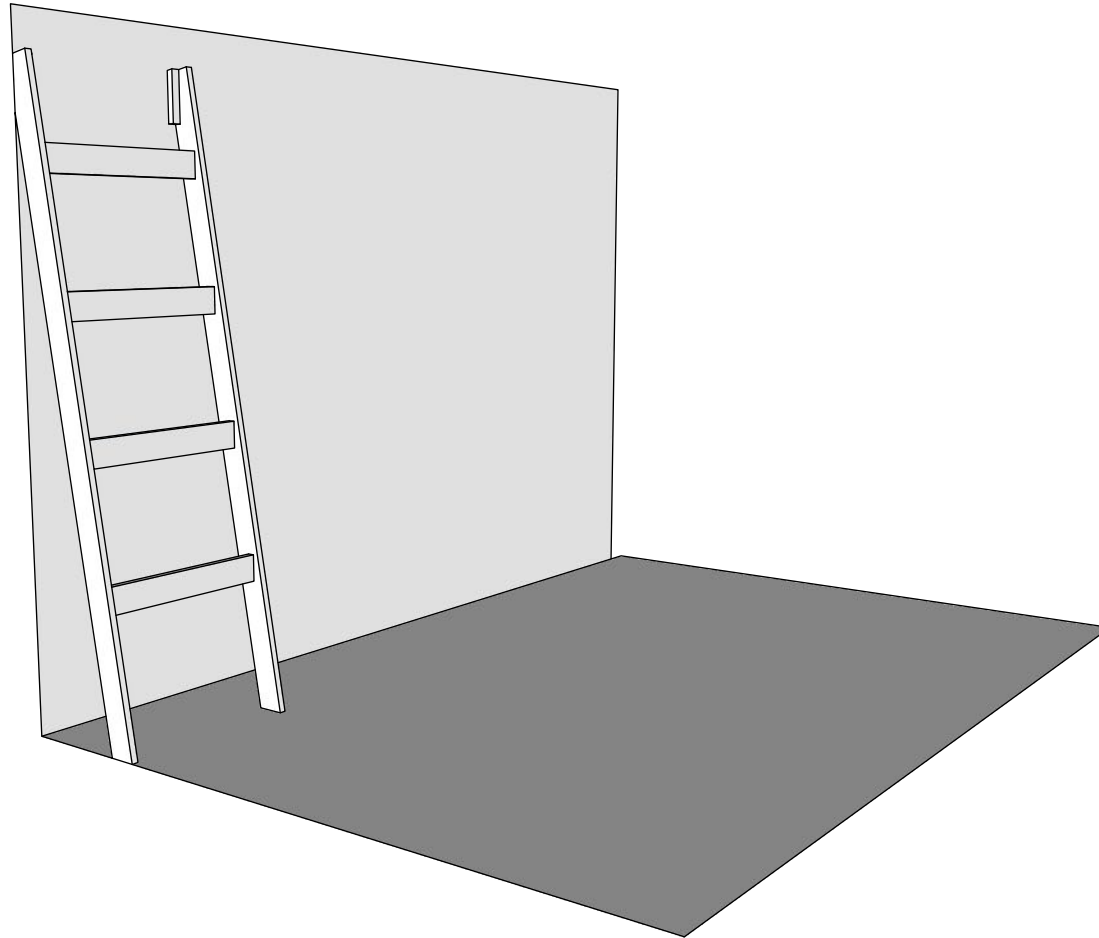


# Blanket Ladder



Design: Marc Spagnuolo  
Plans: Marc Spagnuolo & Brian Benham  
Version #1

Copyright © 2021 • The Wood Whisperer, Inc. • [TheWoodWhisperer.com](http://TheWoodWhisperer.com)



**TWW**<sup>®</sup>

# Cut List

Description	Quantity	Width - final	Length - final	Thickness - final	Material
A - Leg	2	76 mm	1829 mm	19 mm	1" x 3" x 8'
B - Rung	4	76 mm	521 mm	19 mm	1" x 3" x 8'
C - Cleat	2	25 mm	149 mm	19 mm	1" x 3" x 8'
Dowel Peg	16	9 mm	32 mm	9 mm	Dowel Peg
Drill Jig	1	76 mm	305 mm	19 mm	1" x 3" x 8'

**IMPORTANT!** These plans were converted from imperial measurements, and rounded to the nearest mm. It is recommended you use relative dimensioning to ensure a good fit.



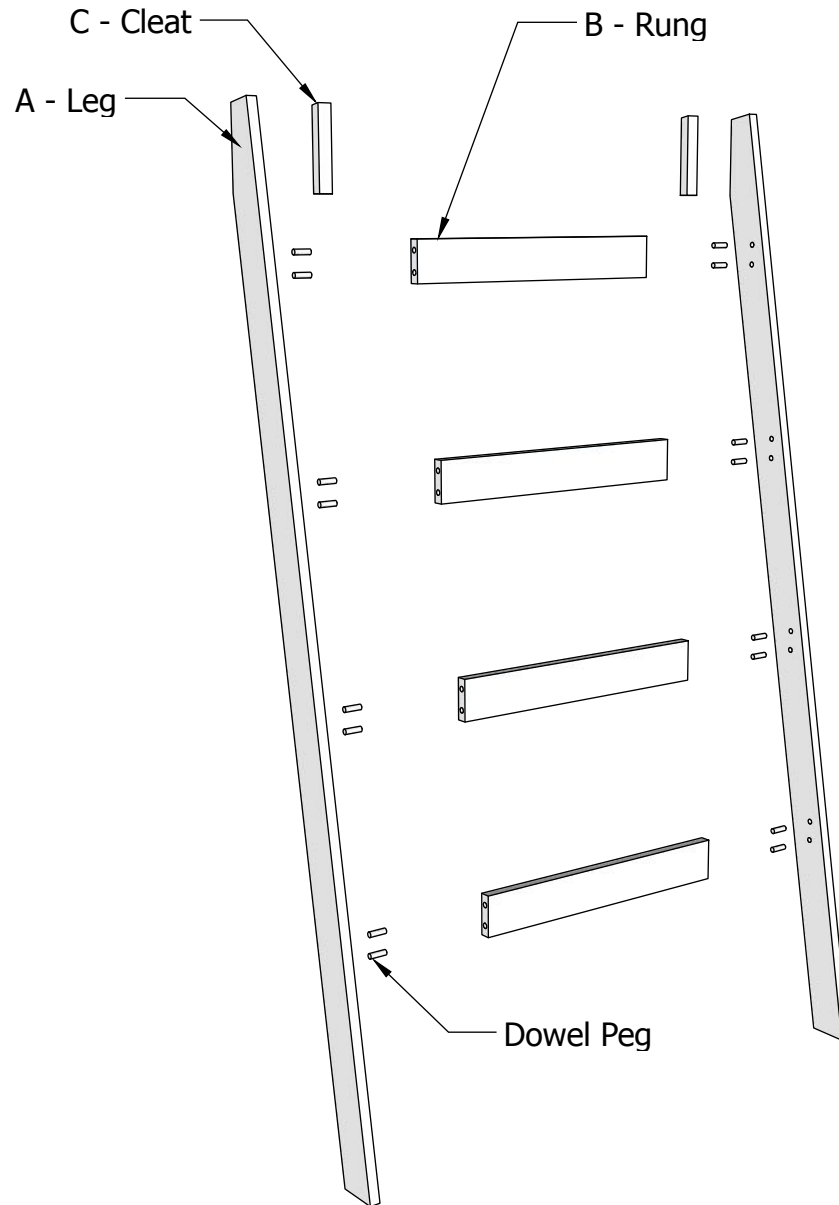
# Material List

3 EA - 1" x 3" x 8'

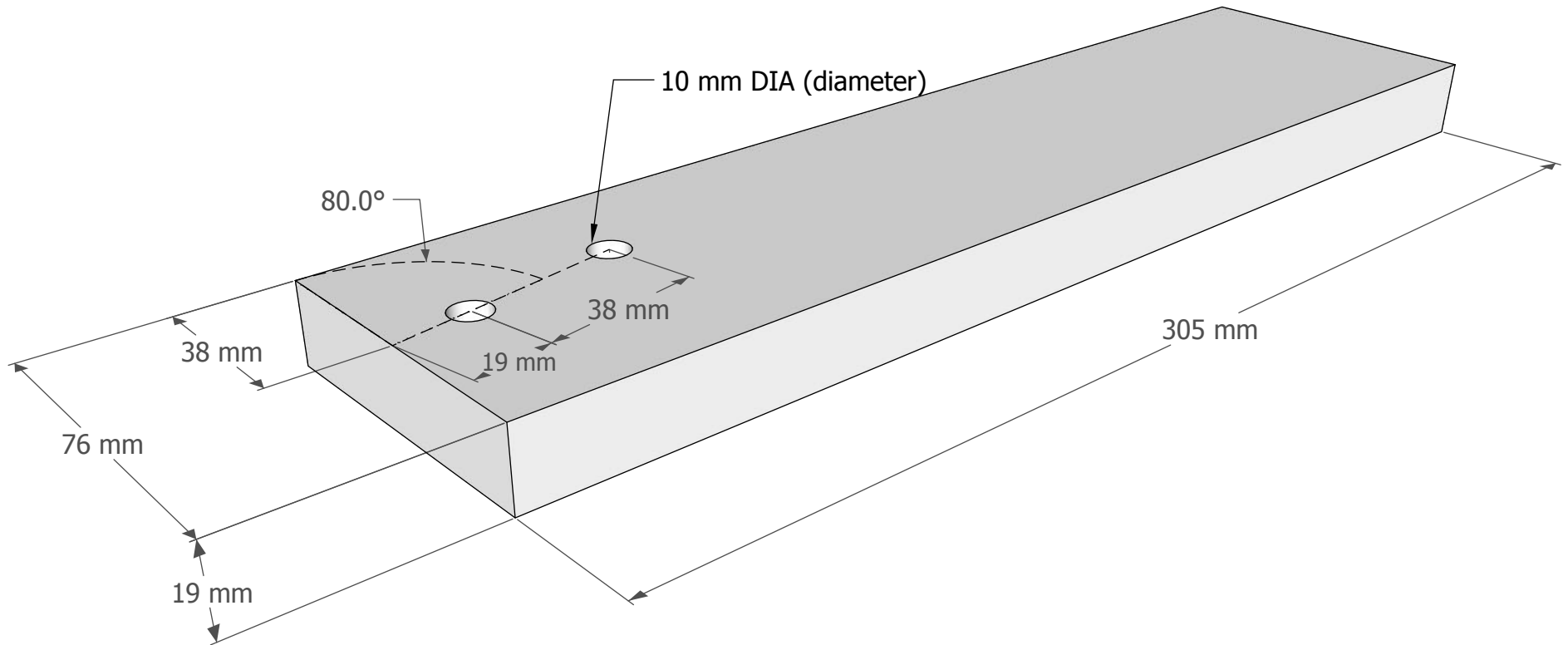
16 EA - Dowel Pegs

2 EA - Mounting Hardware

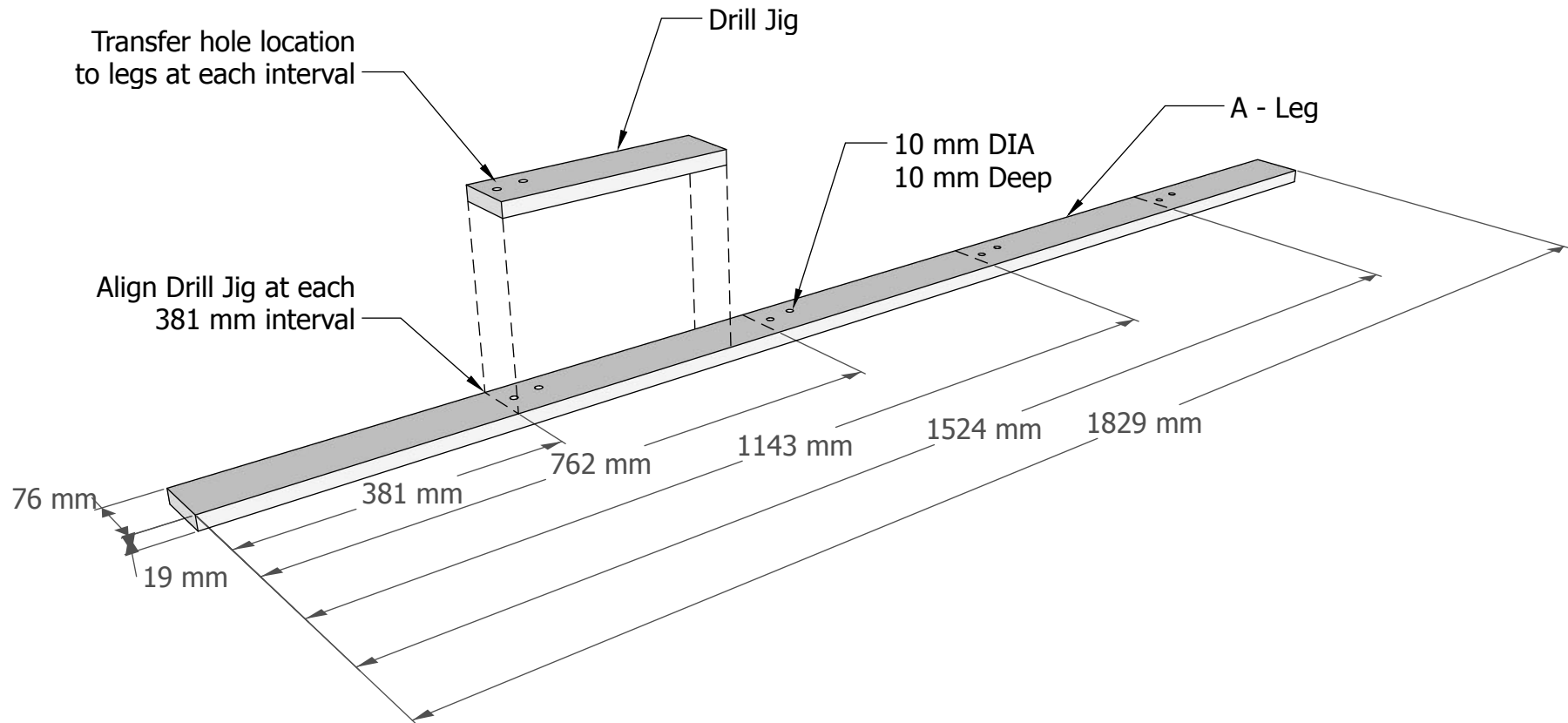
# Exploded View



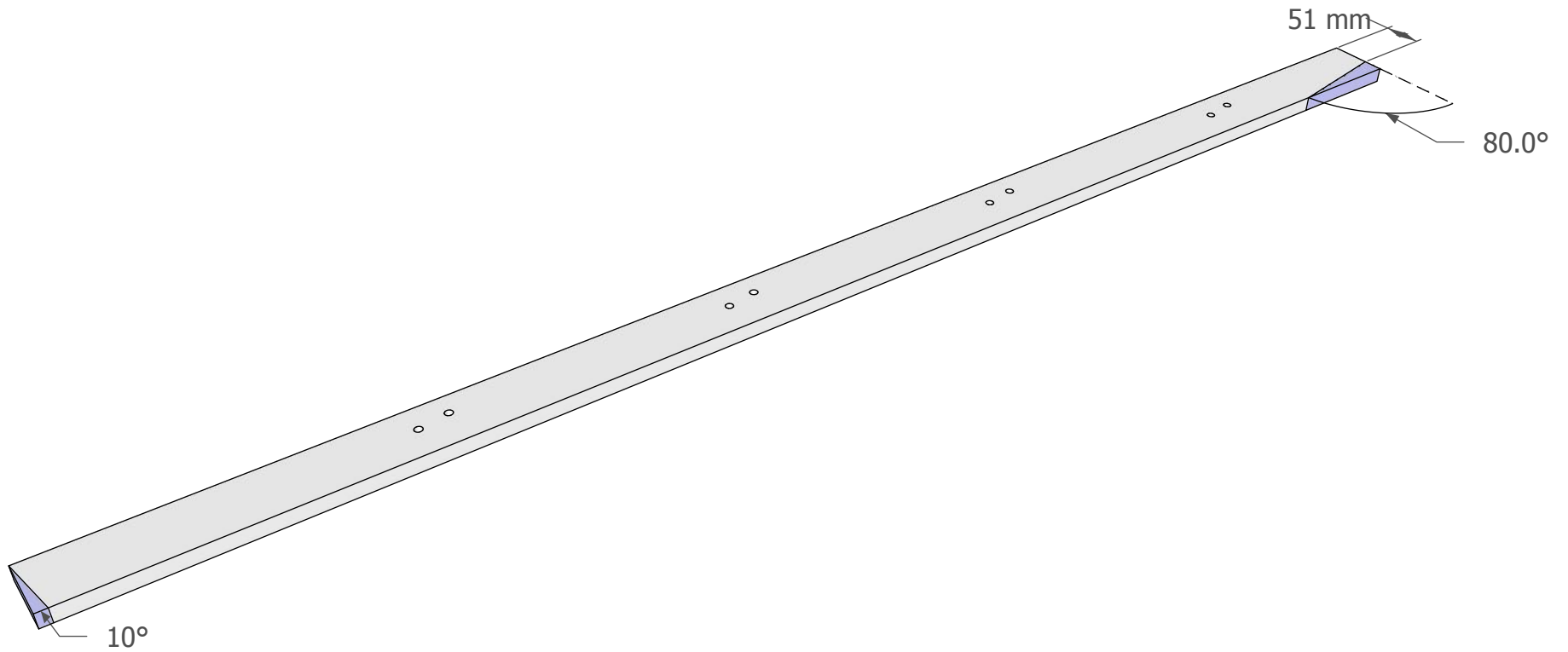
# Drill Jig



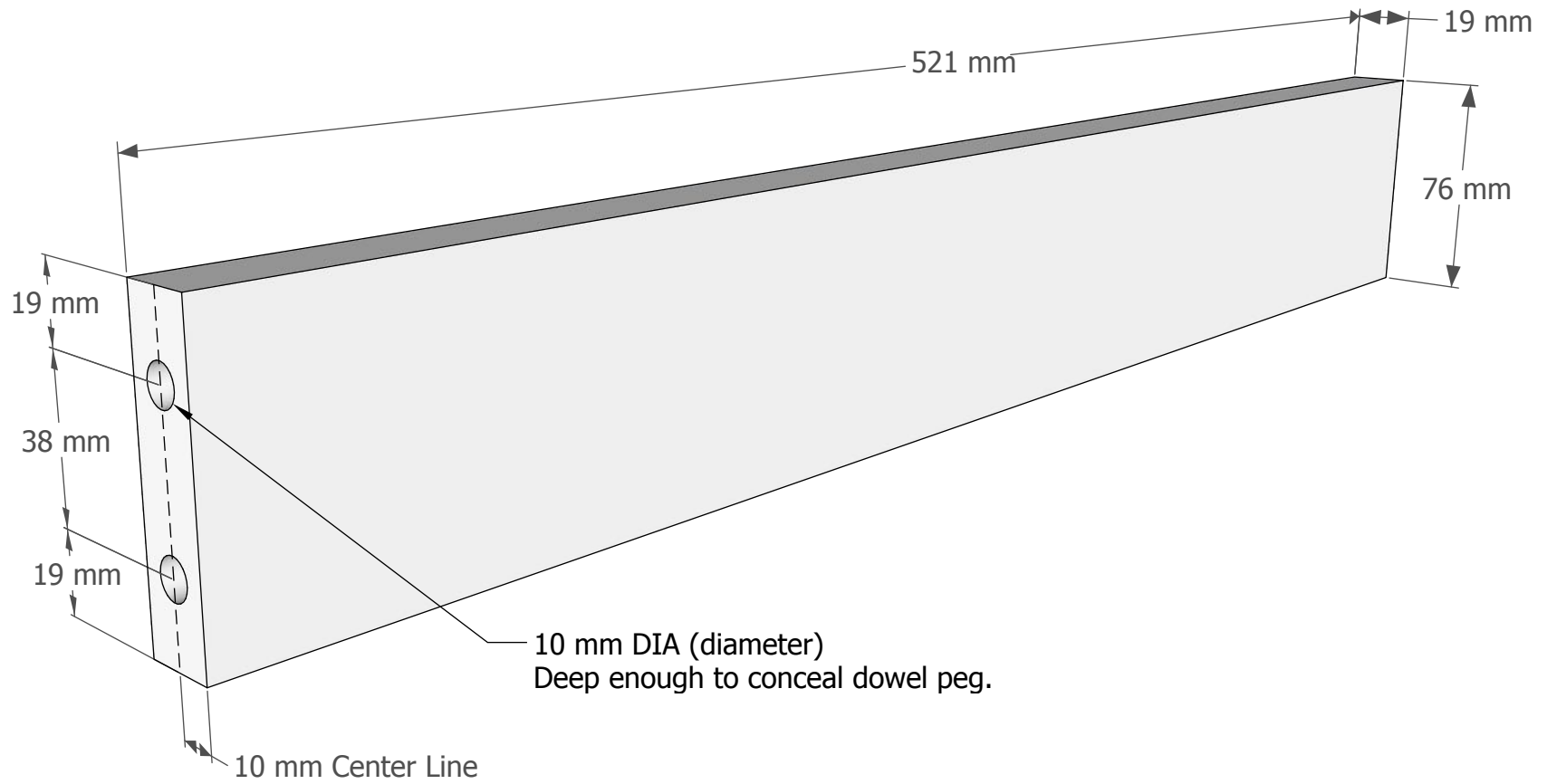
# Leg Drill Hole Layout



# Cut Leg Angle

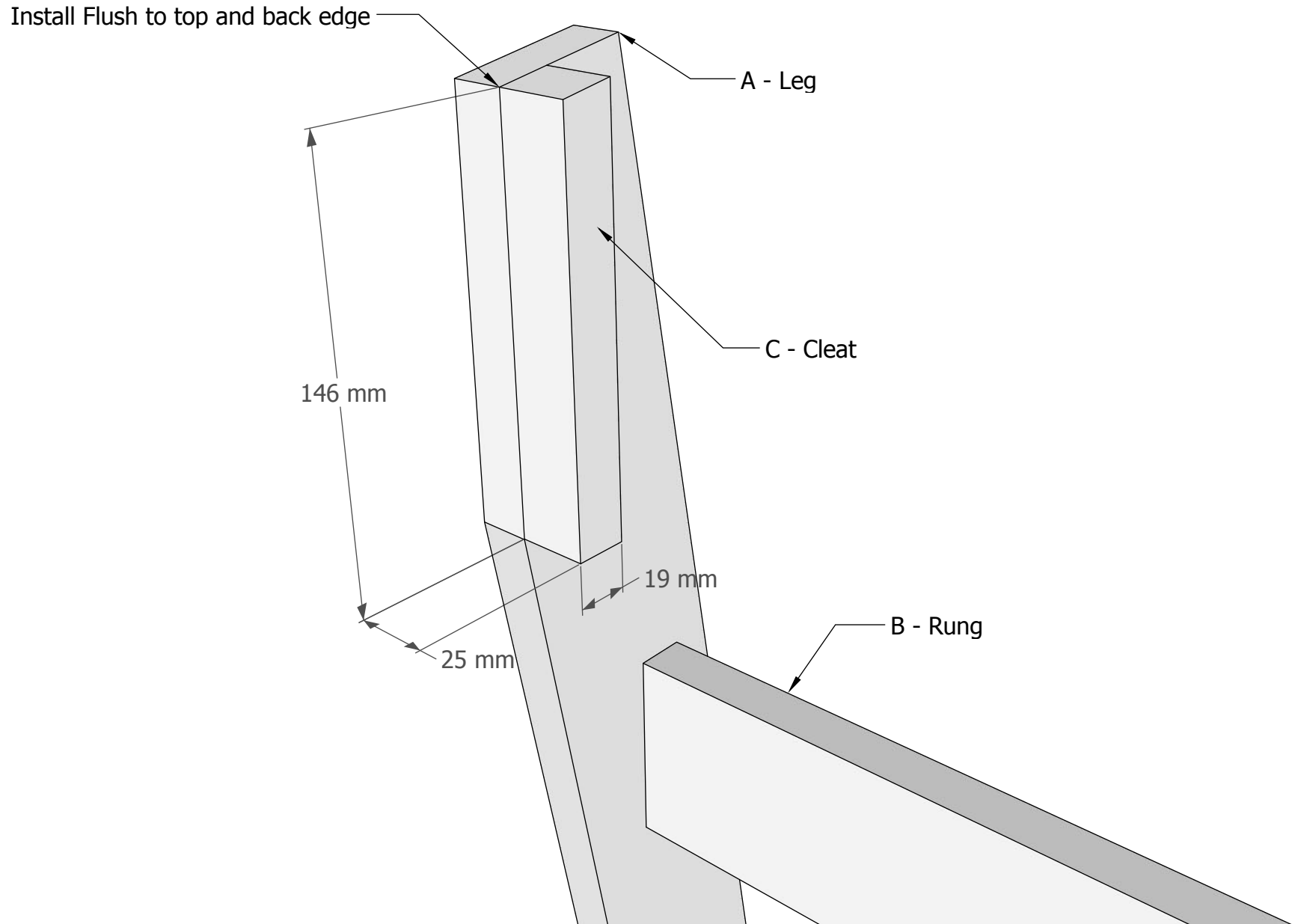


# Rung Detail





# Cleat Detail



# Cut Diagram

