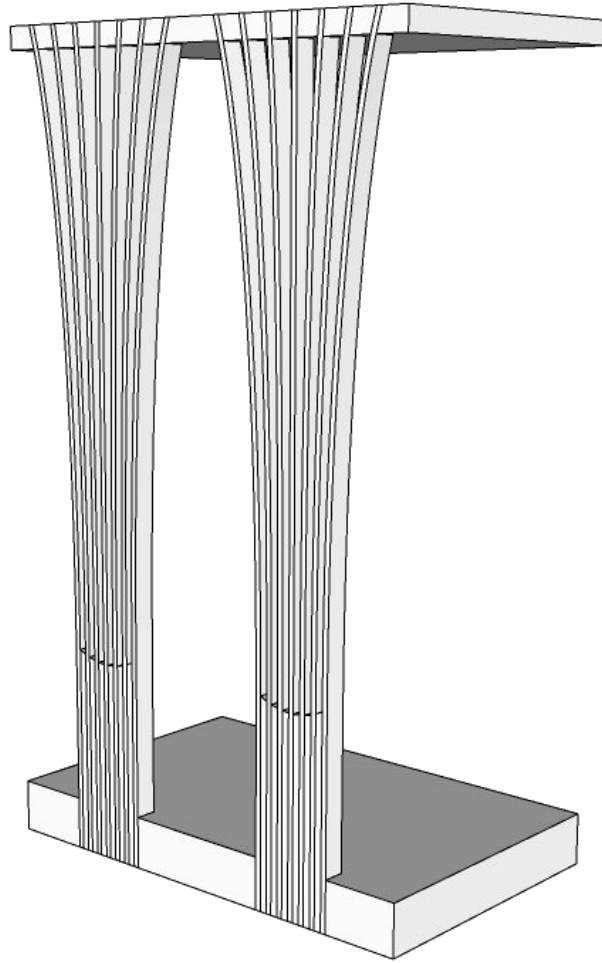
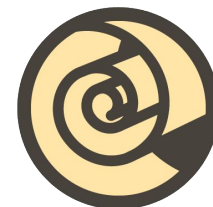


Artsy Fan C-Table



Design: Marc Spagnuolo
Plans: Marc Spagnuolo & Brian Benham
Copyright © 2020, The Wood Whisperer, Inc. TheWoodWhisperer.com
Version 1



TWW[®]

Cut List

Part ID	Part Description	Material	QTY	Width	Length	Thickness
A	Top	4/4 Hardwood SP1	1	406mm	254mm	19mm
B	Bottom	8/4 Hardwood SP1	1	406mm	254mm	44mm
C	Tall Slats	4/4 Hardwood SP2	14	5mm	711mm	19mm
D	Short Spacers	4/4 Hardwood SP2	12	6mm	178mm	19mm

Note: Part C Tall Slats are cut oversized and trimmed to final length after assembly. They may also need to be adjusted to fit your couch's arm rest height.

Part D is oversized, cut to your desired design preferences.

IMPORTANT! These plans were converted from imperial measurements, and rounded to the nearest mm. It is recommended you use relative dimensioning to ensure a good fit.

Materials List

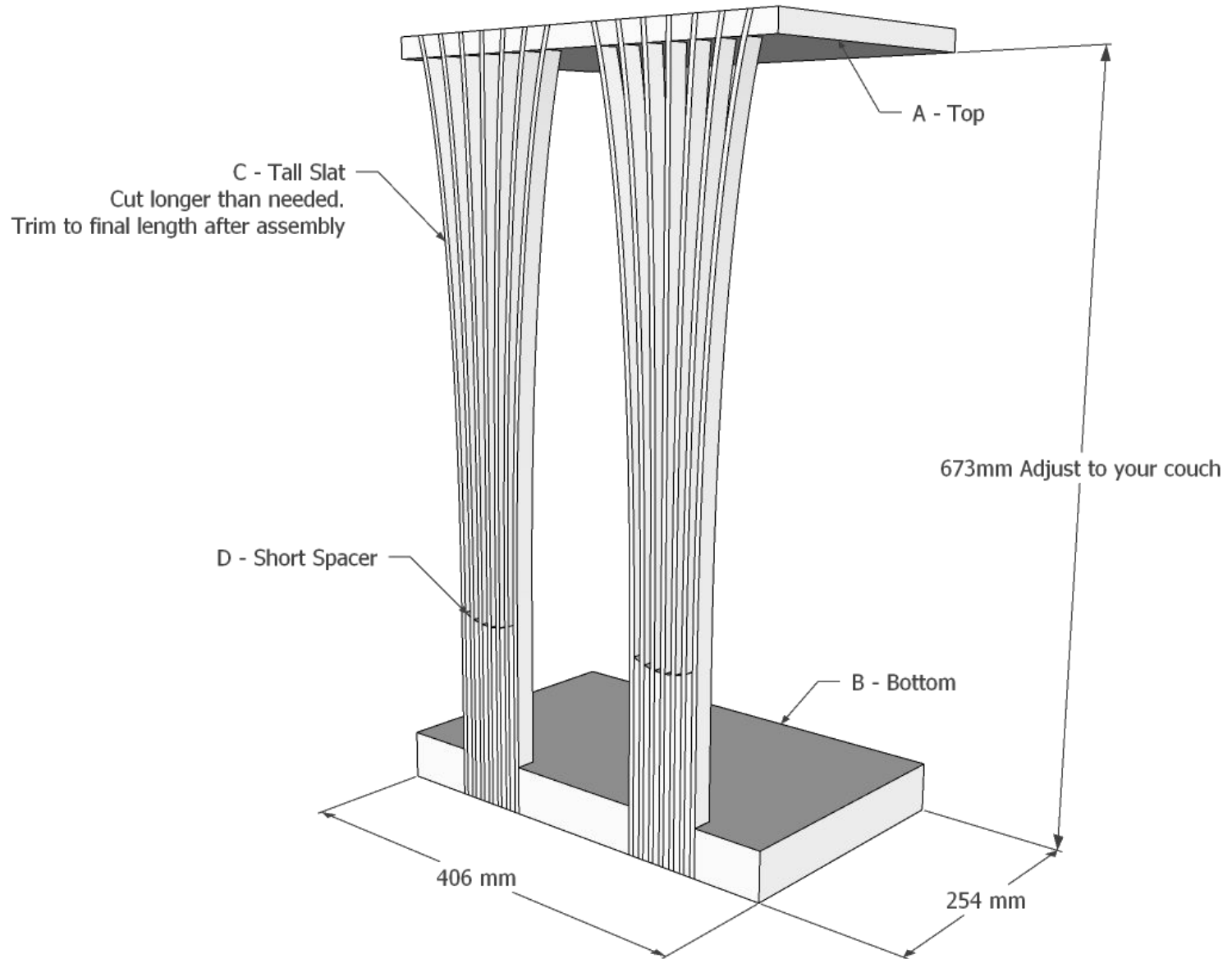
Description	Type	Approximate BF	+20%
4/4 Hardwood	Species 1	2	2
8/4 Hardwood	Species 1	3	3
4/4 Hardwood	Species 2	1	1

*Note Board Feet quantities have been rounded up to the nearest board foot

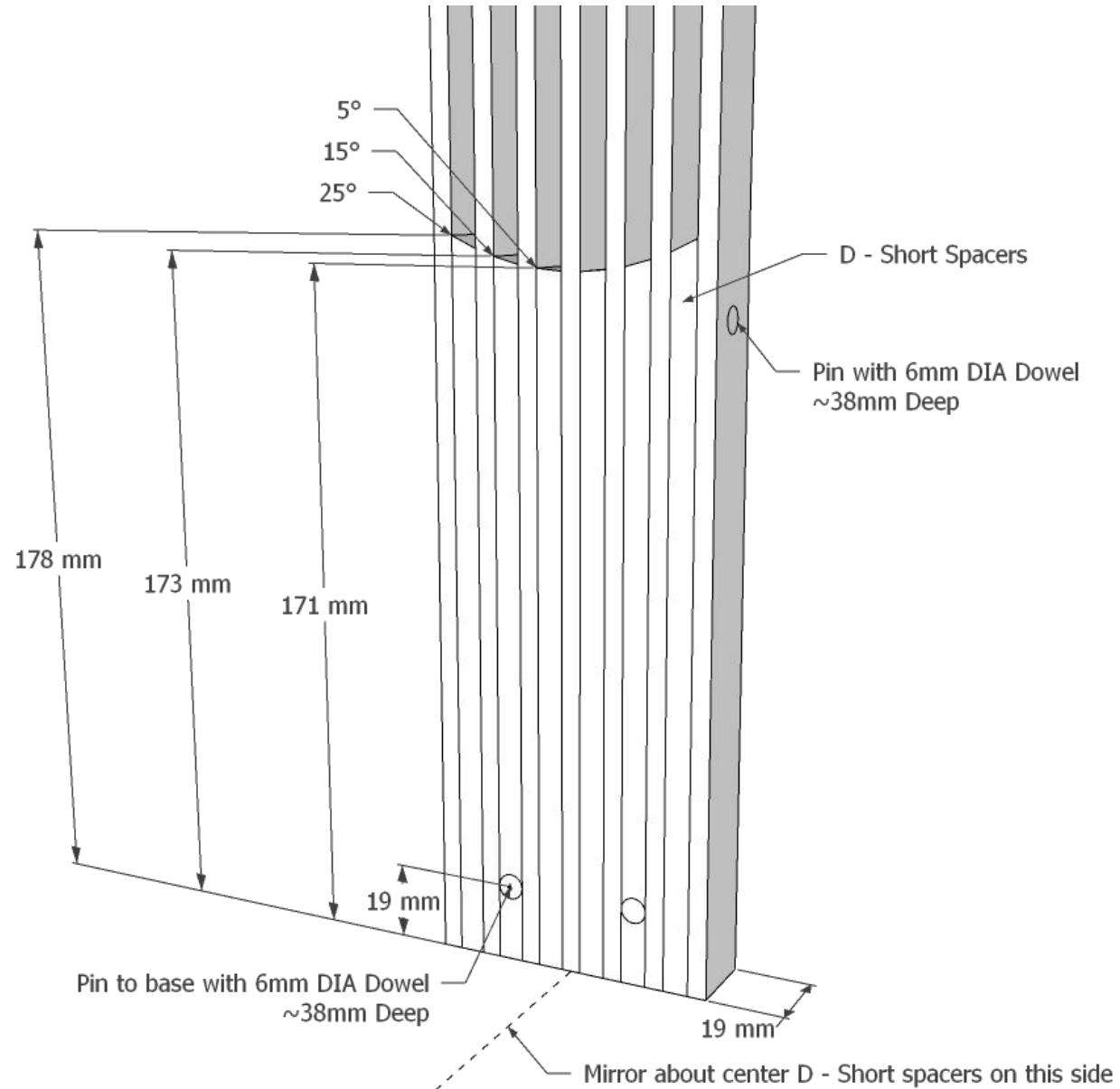
Additional Materials Needed

1 each - 6mm DIA Dowel

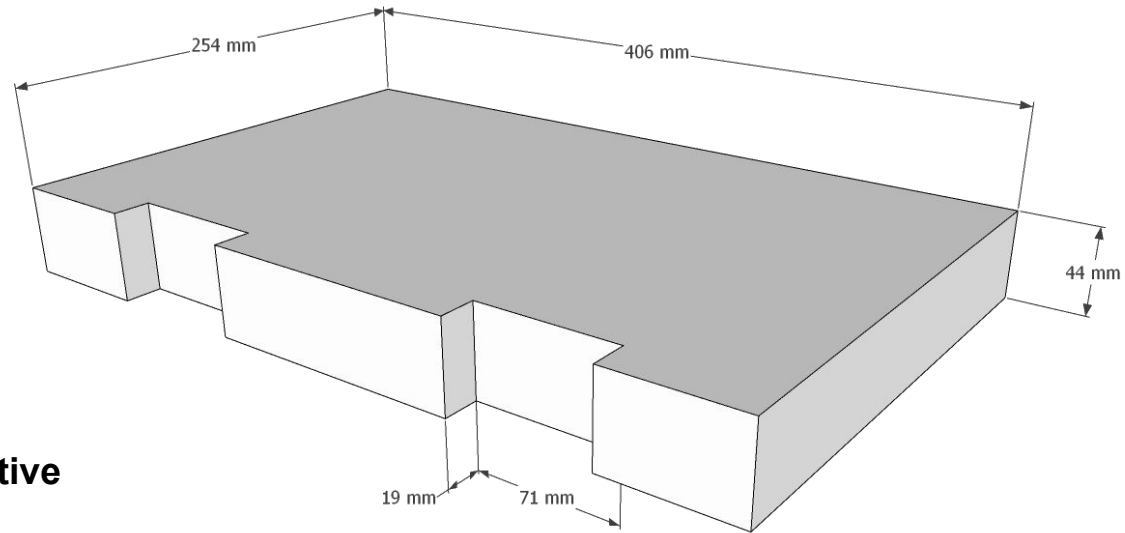
Overview



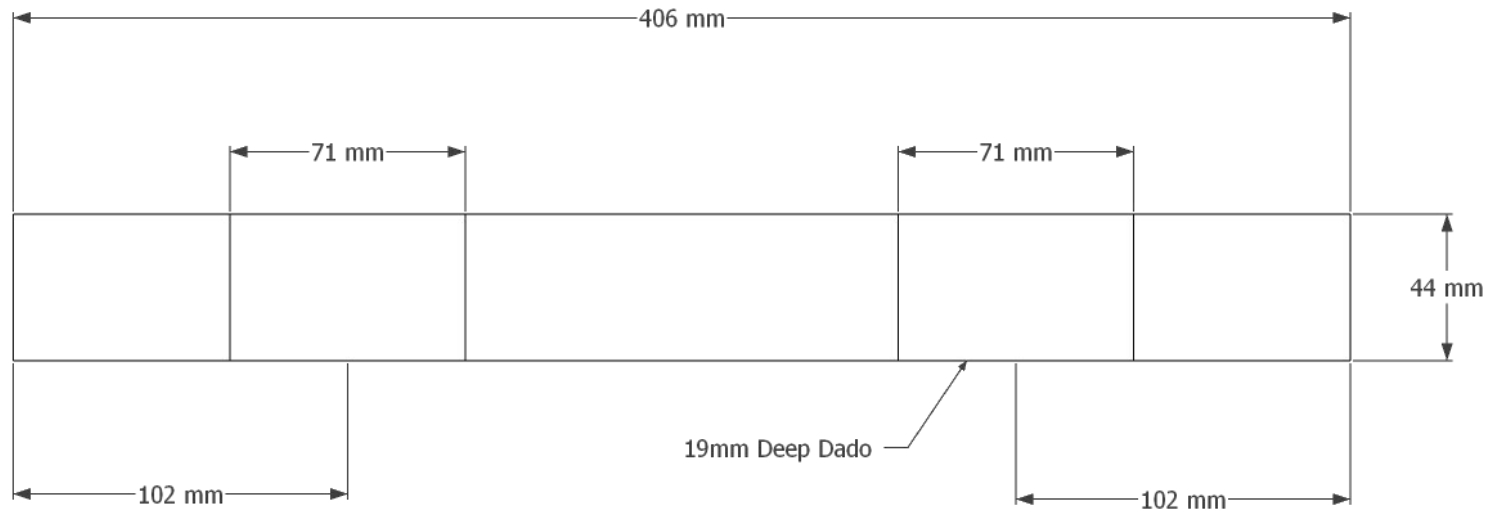
Short Spacer Detail



Bottom Detail

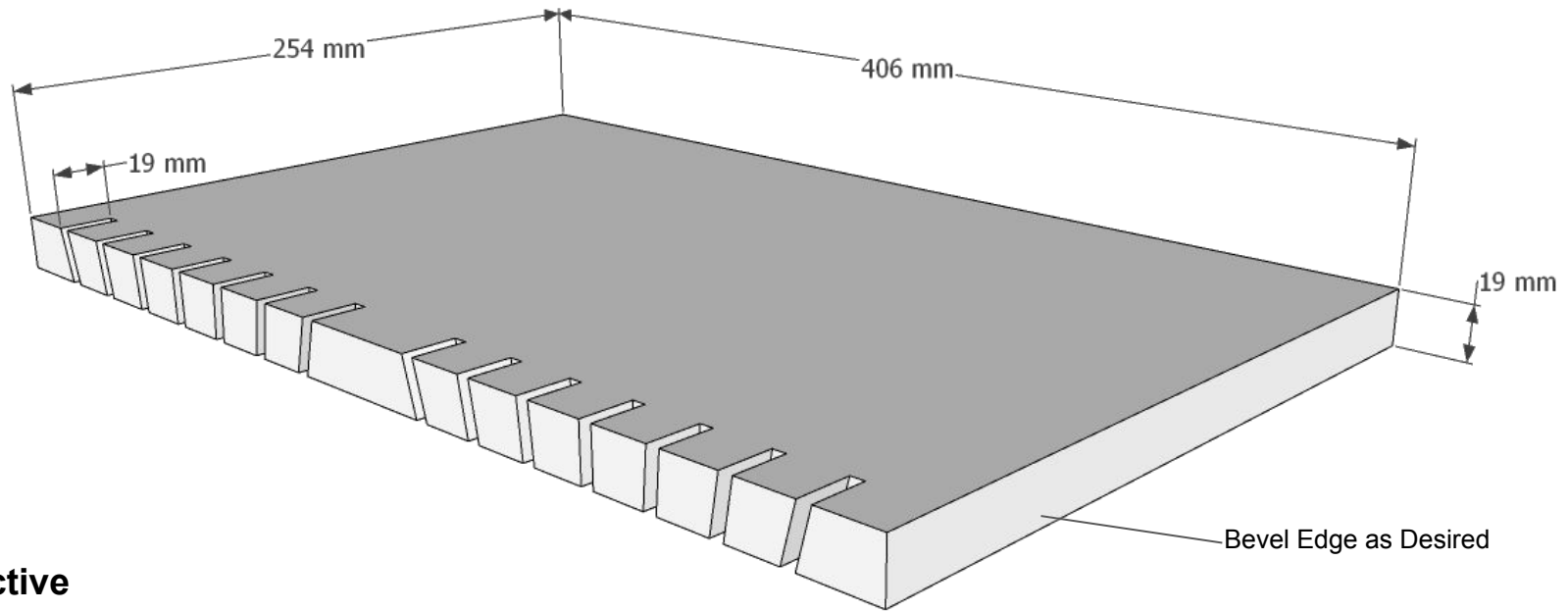


Perspective

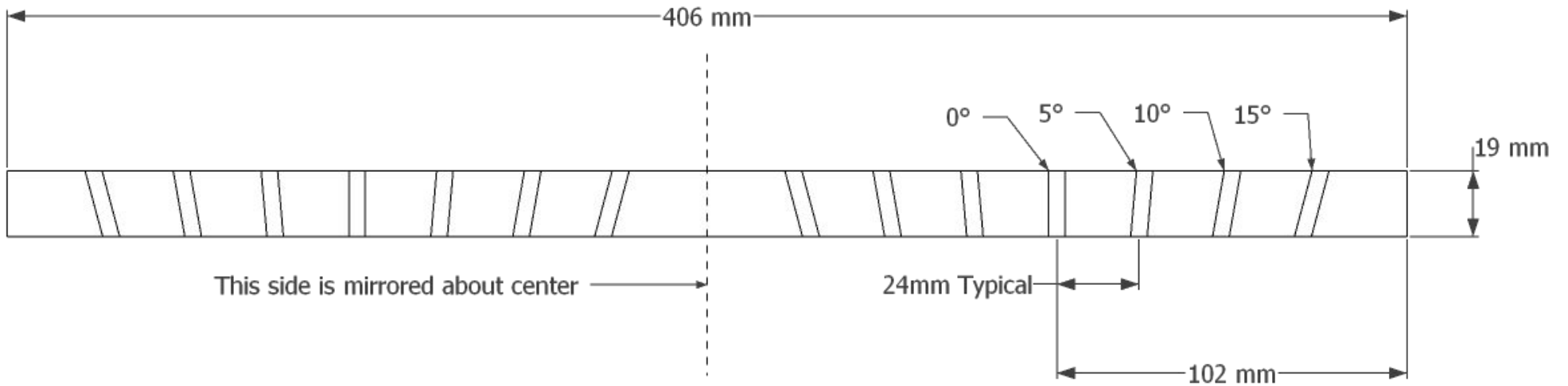


Front View

Top Detail (Marc's Top)

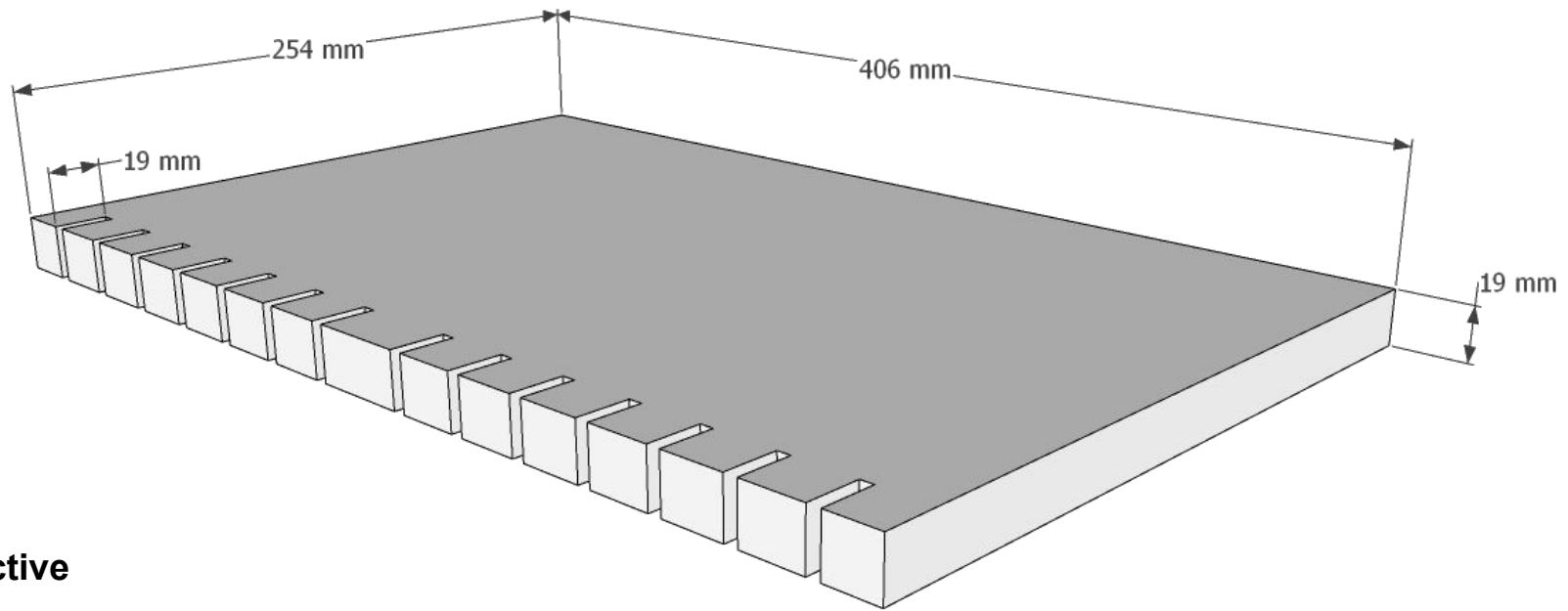


Perspective

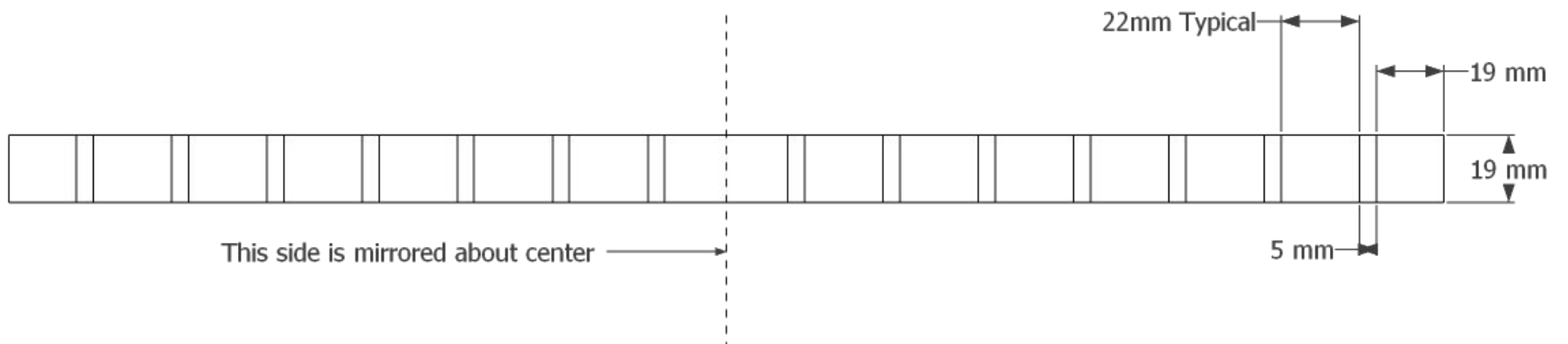


Front View

Top Detail (John's Top)



Perspective



Front View