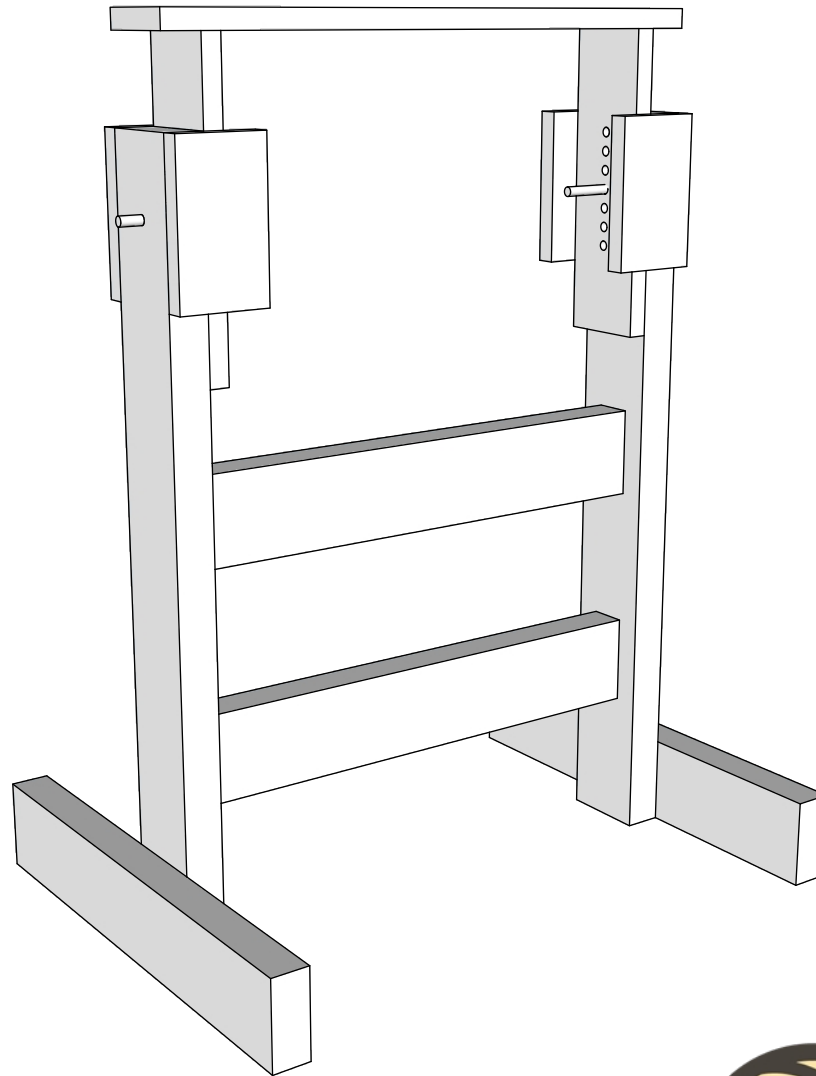


# Adjustable Height Work Stand



Design: Marc Spagnuolo  
Plans: Marc Spagnuolo & Brian Benham  
Version #1

Copyright © 2022 • The Wood Whisperer, Inc. • [TheWoodWhisperer.com](http://TheWoodWhisperer.com)



**TWW**<sup>®</sup>

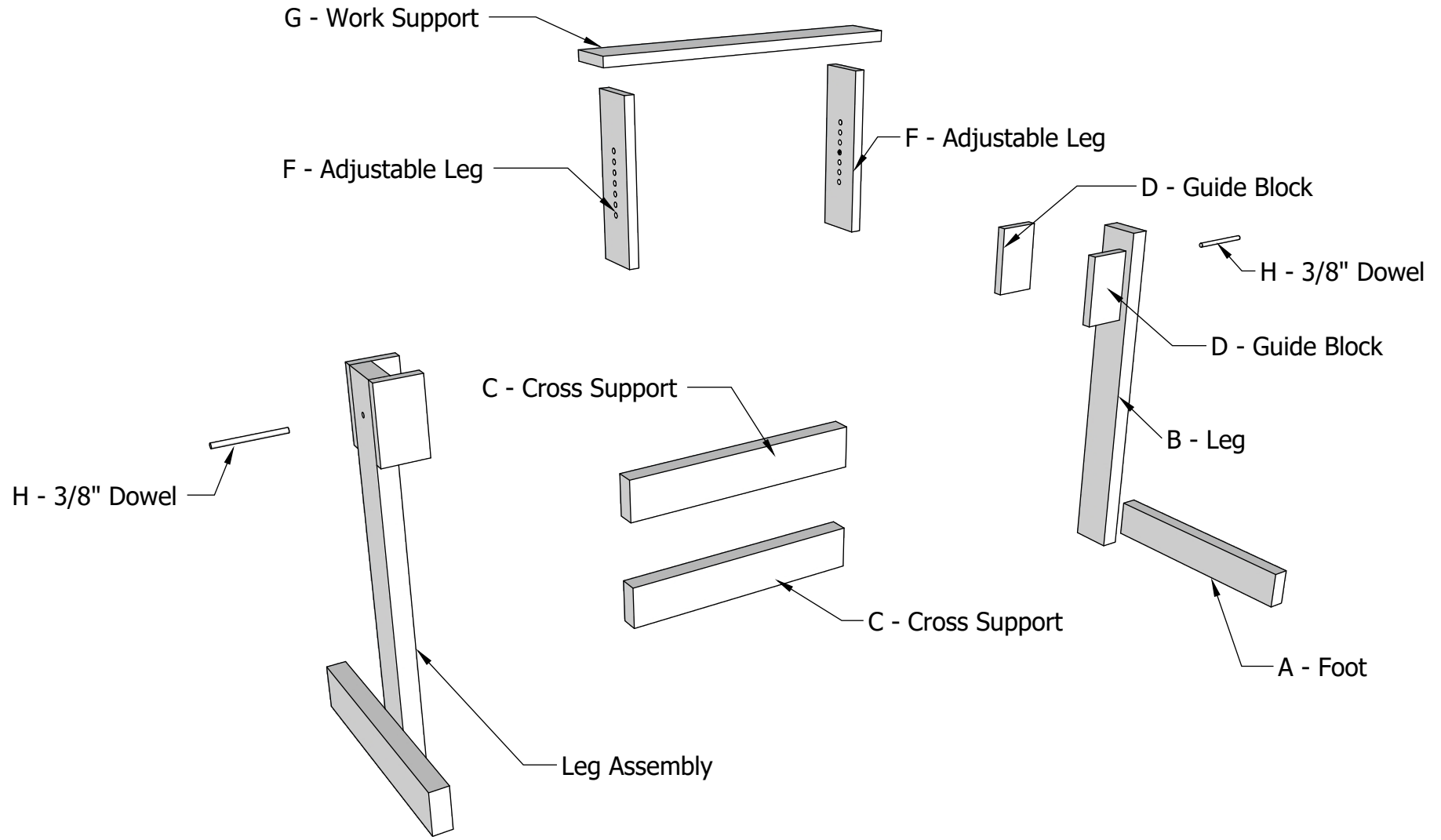
# Cut List

Designation	Quantity	Material	Width	Length	Thickness
A - Foot	2	2"x4"x8' Construction Lumber	3 1/2"	20"	1 1/2"
B - Leg	2	2"x4"x8' Construction Lumber	3 1/2"	30"	1 1/2"
C - Cross Support	2	2"x4"x8' Construction Lumber	3 1/2"	20"	1 1/2"
D - Guide Block	4	1"x4"x8' Construction Lumber	3 1/2"	6"	3/4"
F - Adjustable Leg	2	1"x4"x8' Construction Lumber	3 1/2"	12"	3/4"
G - Work Support	1	1"x4"x8' Construction Lumber	3 1/2"	23"	3/4"
H - 3/8" Dowel	2	3/8" DIA Dowel	3/8" DIA	5"	n/a

# Materials List

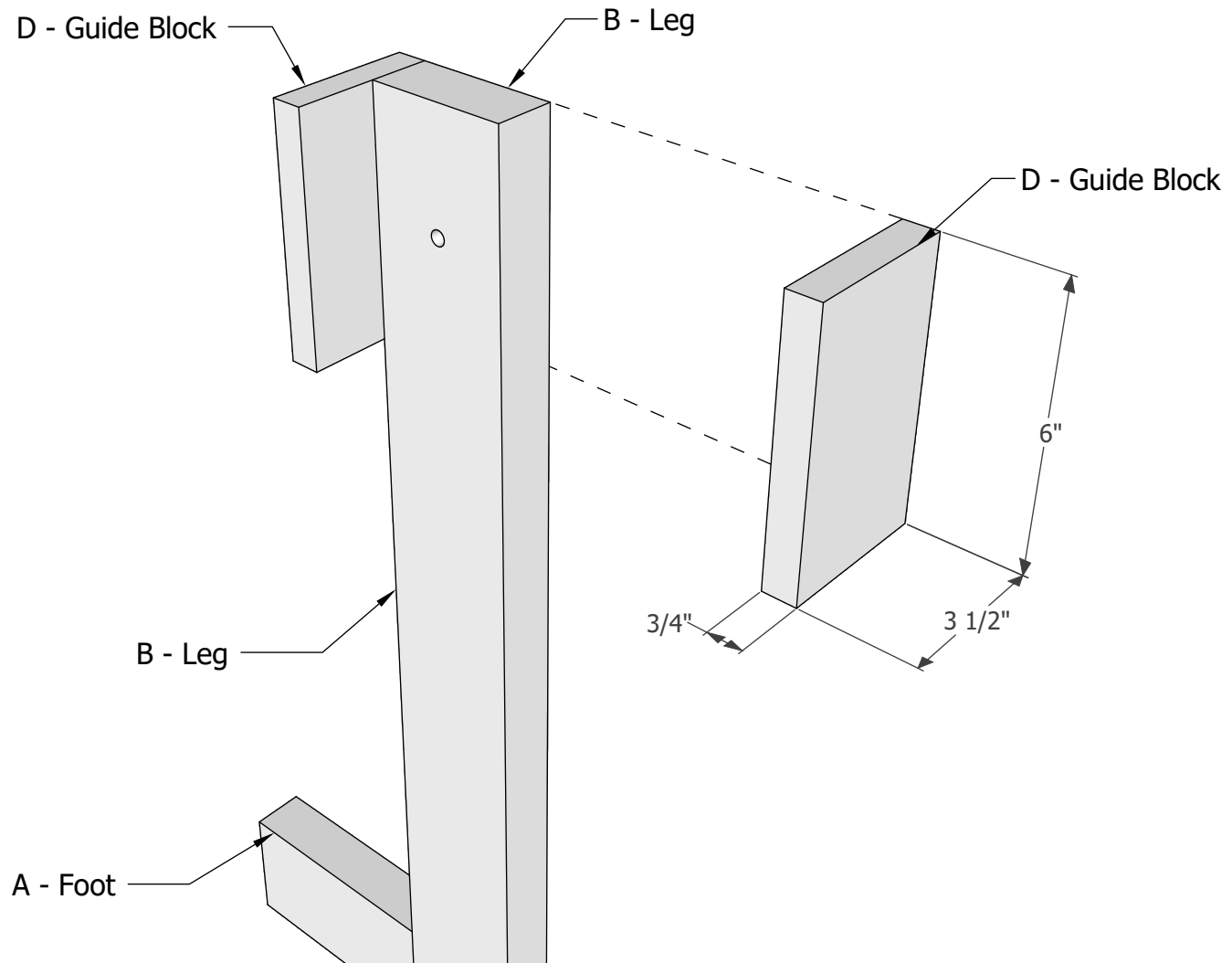
- 2 Each - 2"x4"x8' Construction Lumber
- 1 Each - 1"x4"x8' Construction Lumber
- 1 Each - 3/8" DIA Dowel (minimum 12" length)
- Assorted screws
- wood glue

# Exploded View





# Guide Assembly



# Work Suppot Assembly

