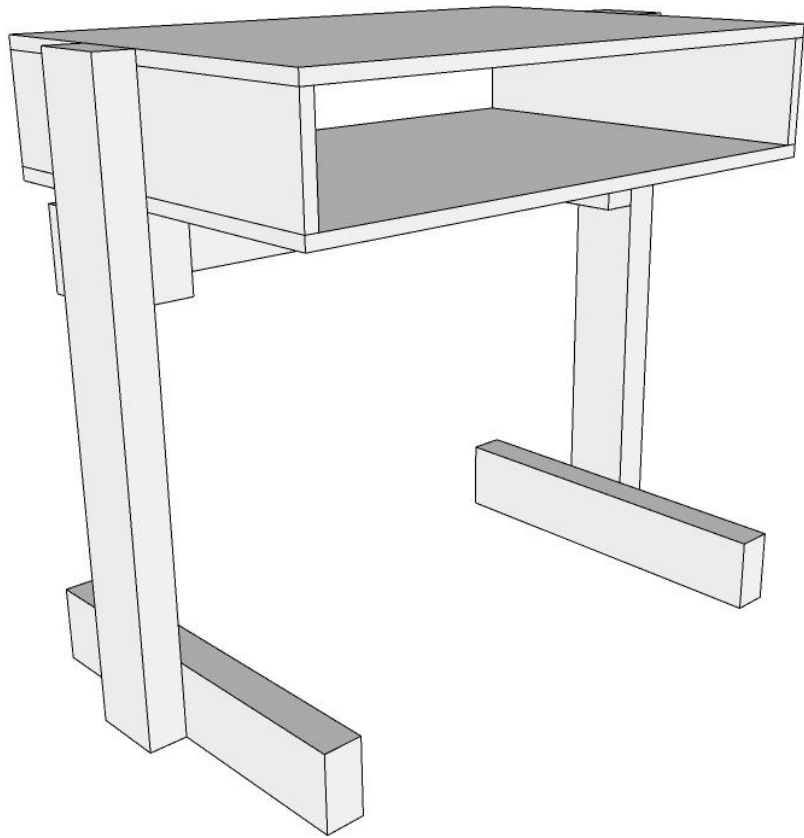
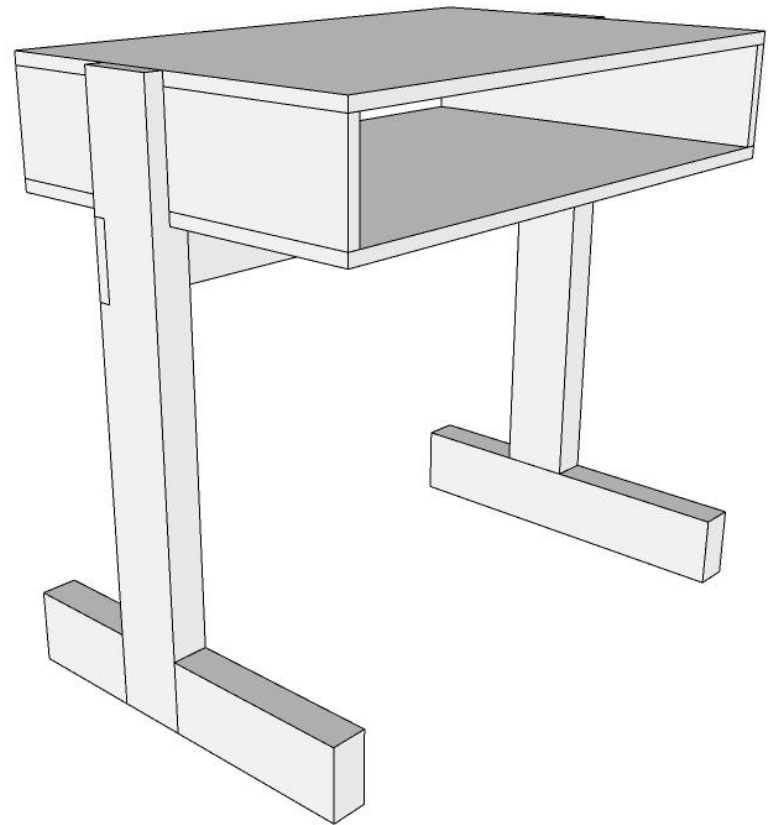


Kids School Desk

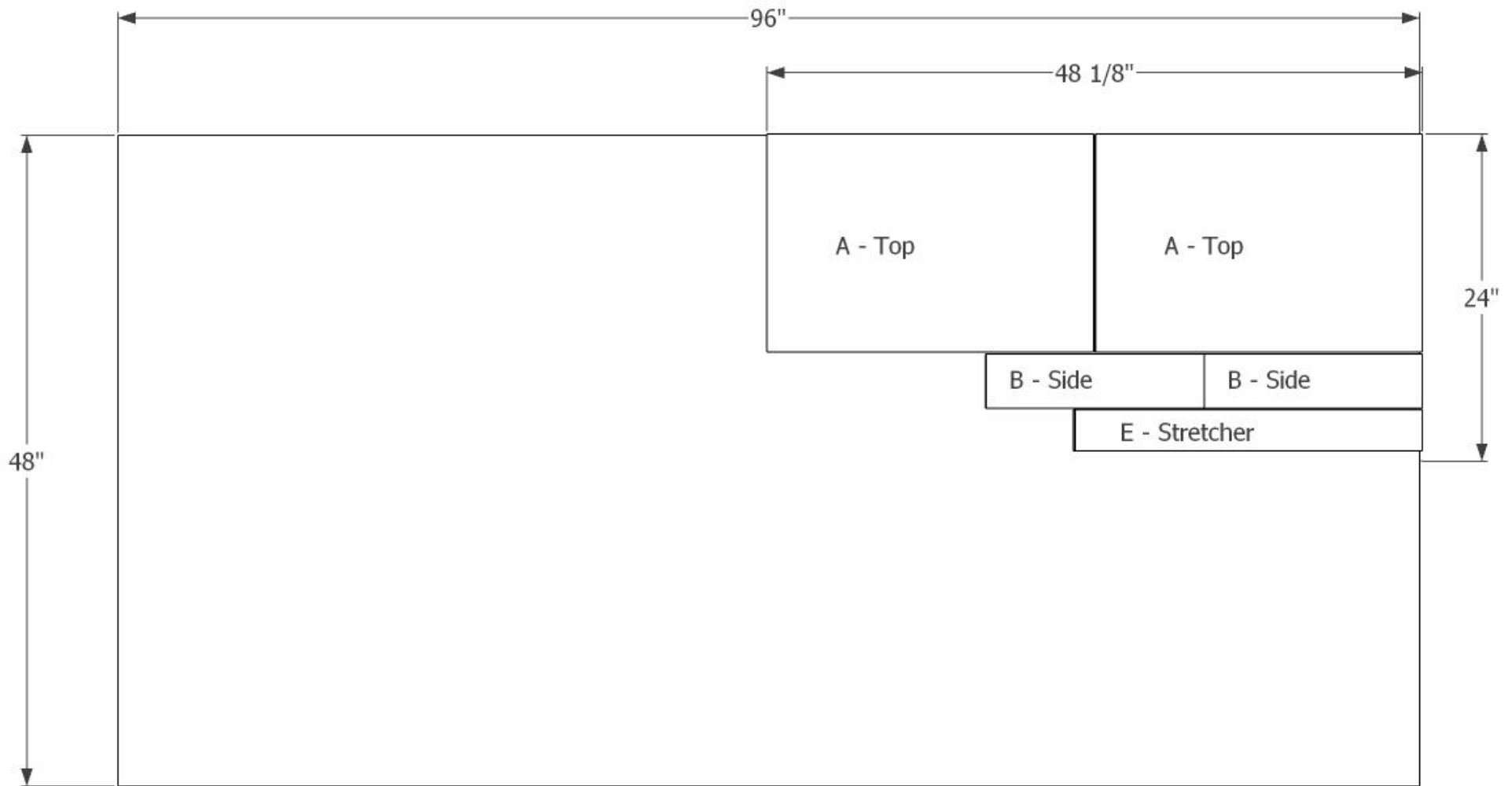
Basic



With Joinery



Plywood Cut Diagram



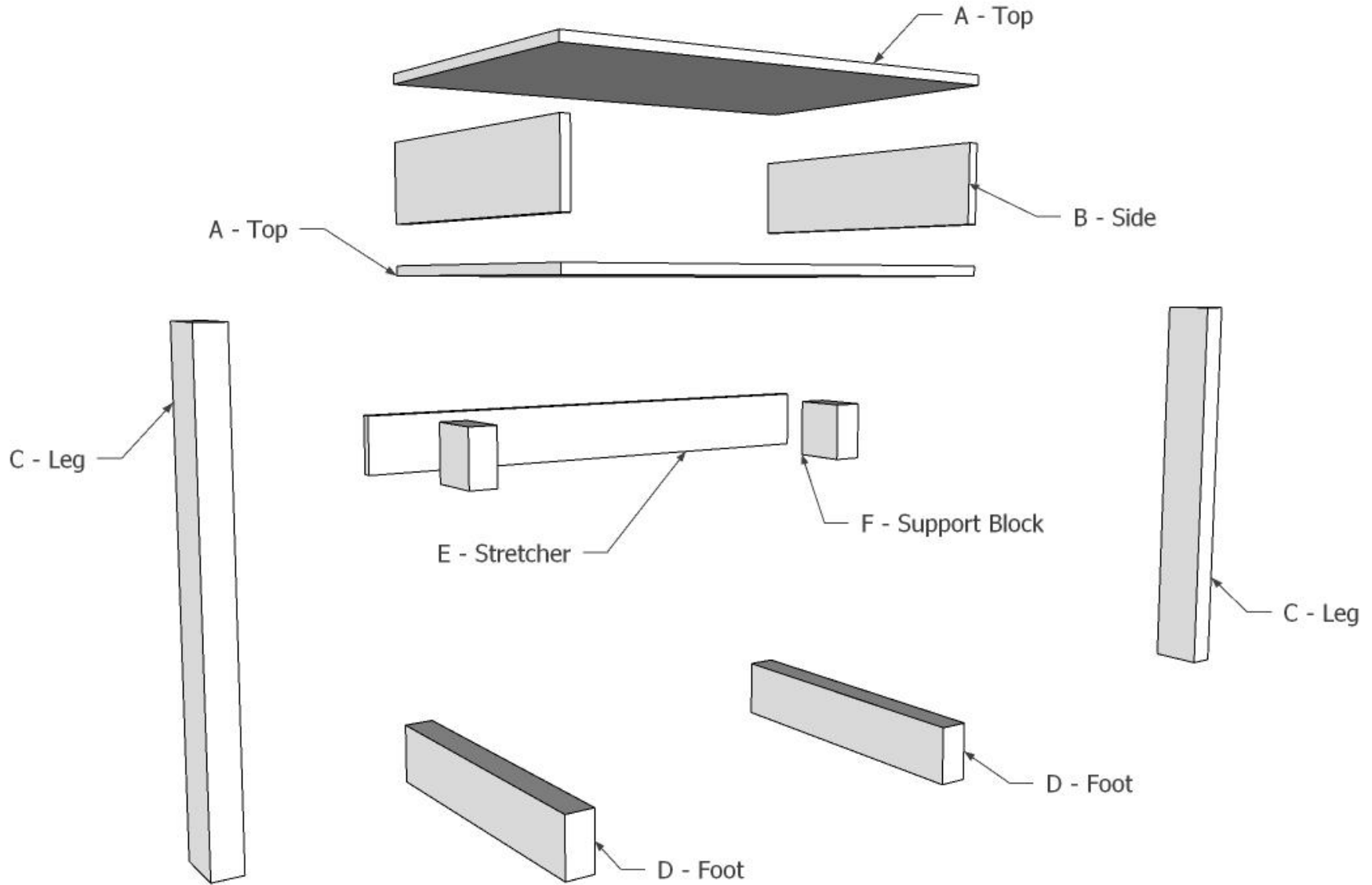
Cut List

Part ID	Part Description	Material	QTY	Width	Length	Thickness
A	Top	1/2" Plywood	2	16"	24"	1/2"
B	Side	1/2" Plywood	2	4"	16"	1/2"
C	Leg	2x4x8 Stud	2	3"	24"	1 1/2"
D	Foot	2x4x8 Stud	2	3"	16"	1 1/2"
E	Stretcher	1/2" Plywood	1	3"	27"	1/2"
F	Support Block	2x4x8 Stud	2	3"	3"	1 1/2"

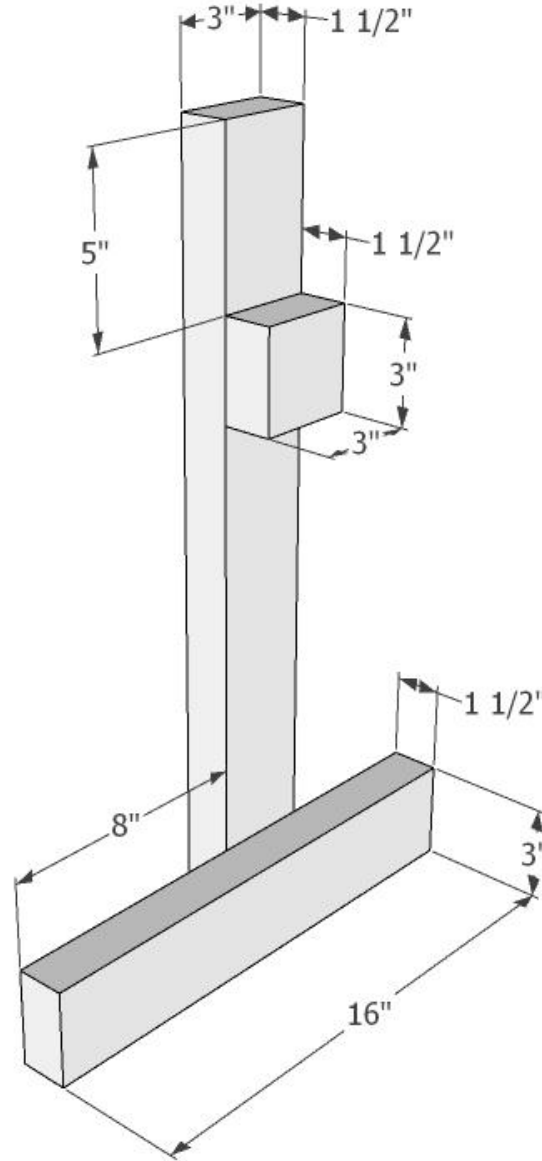
Materials List

Description	Type	Qty
1/2" Plywood	n/a	1/4 Sheet
2x4x8 Construction Lumber	na	1 ea

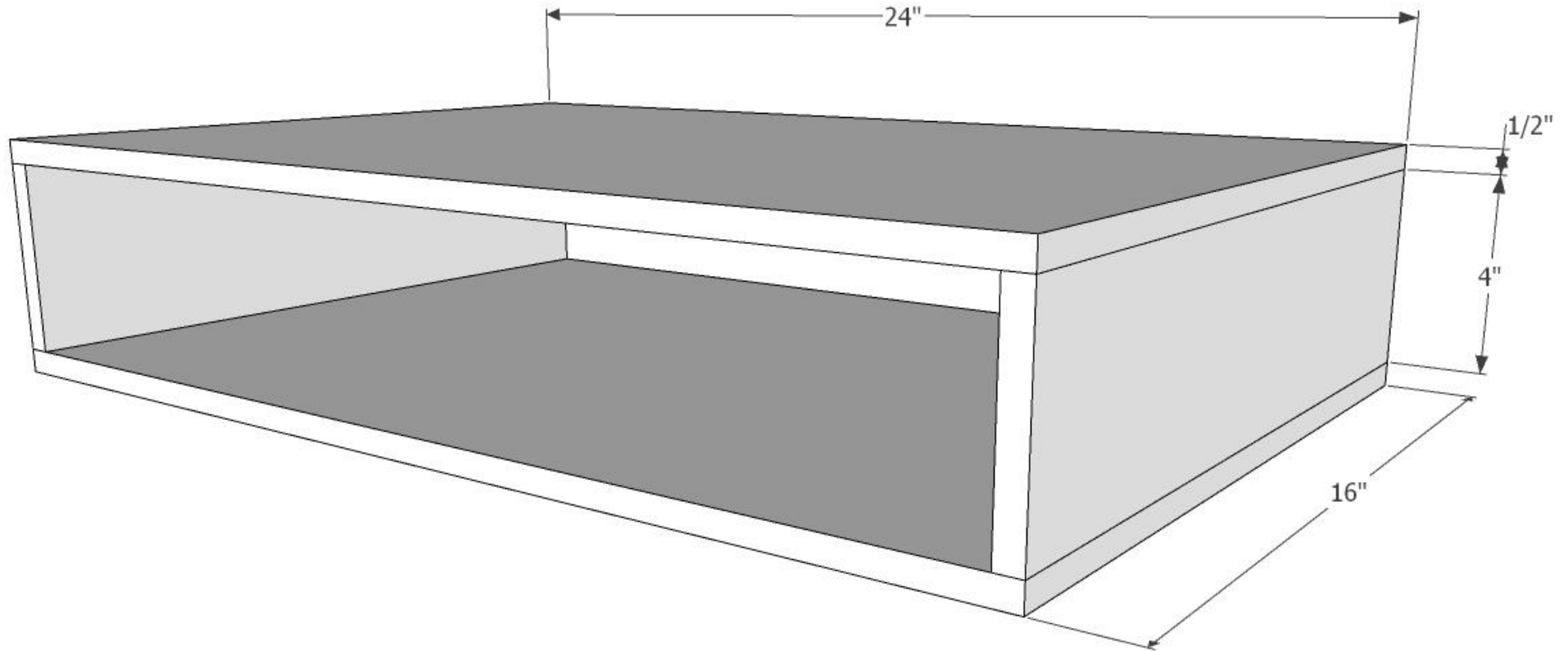
Exploded View



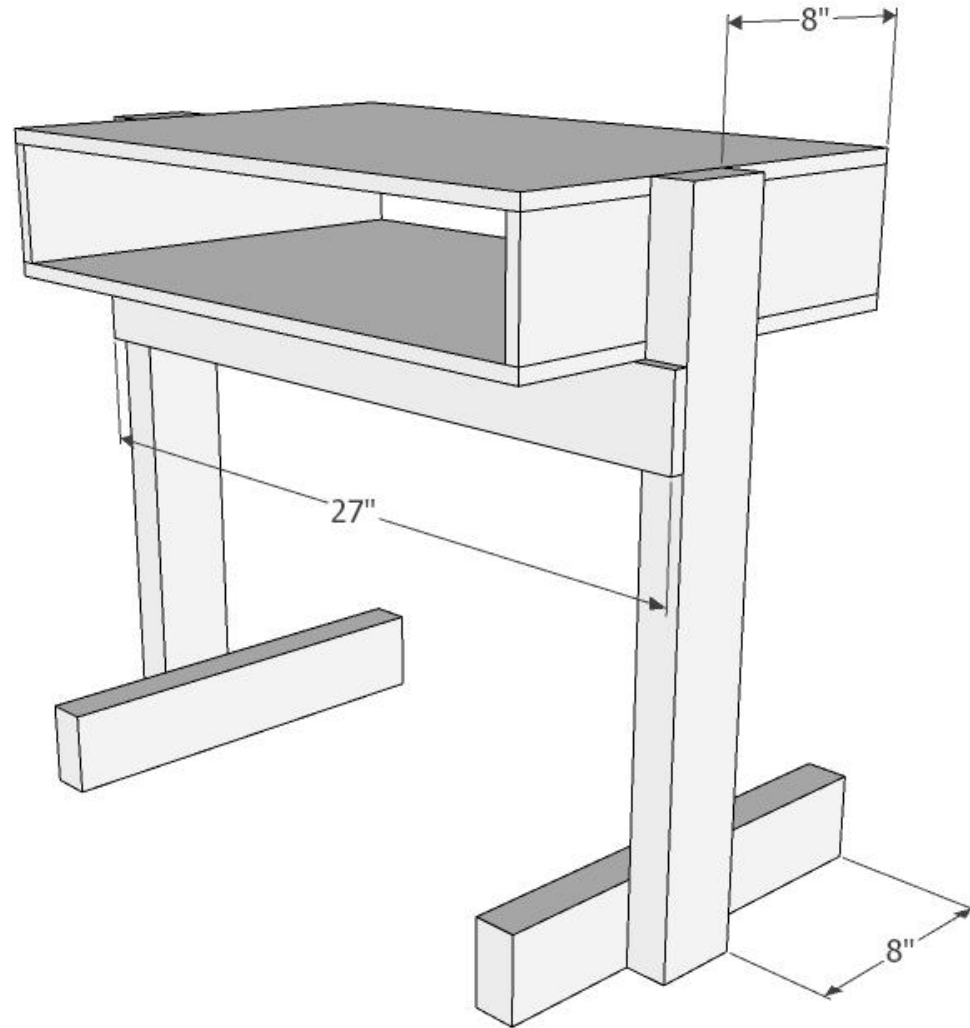
Leg Assembly



Top Assembly



General Assembly



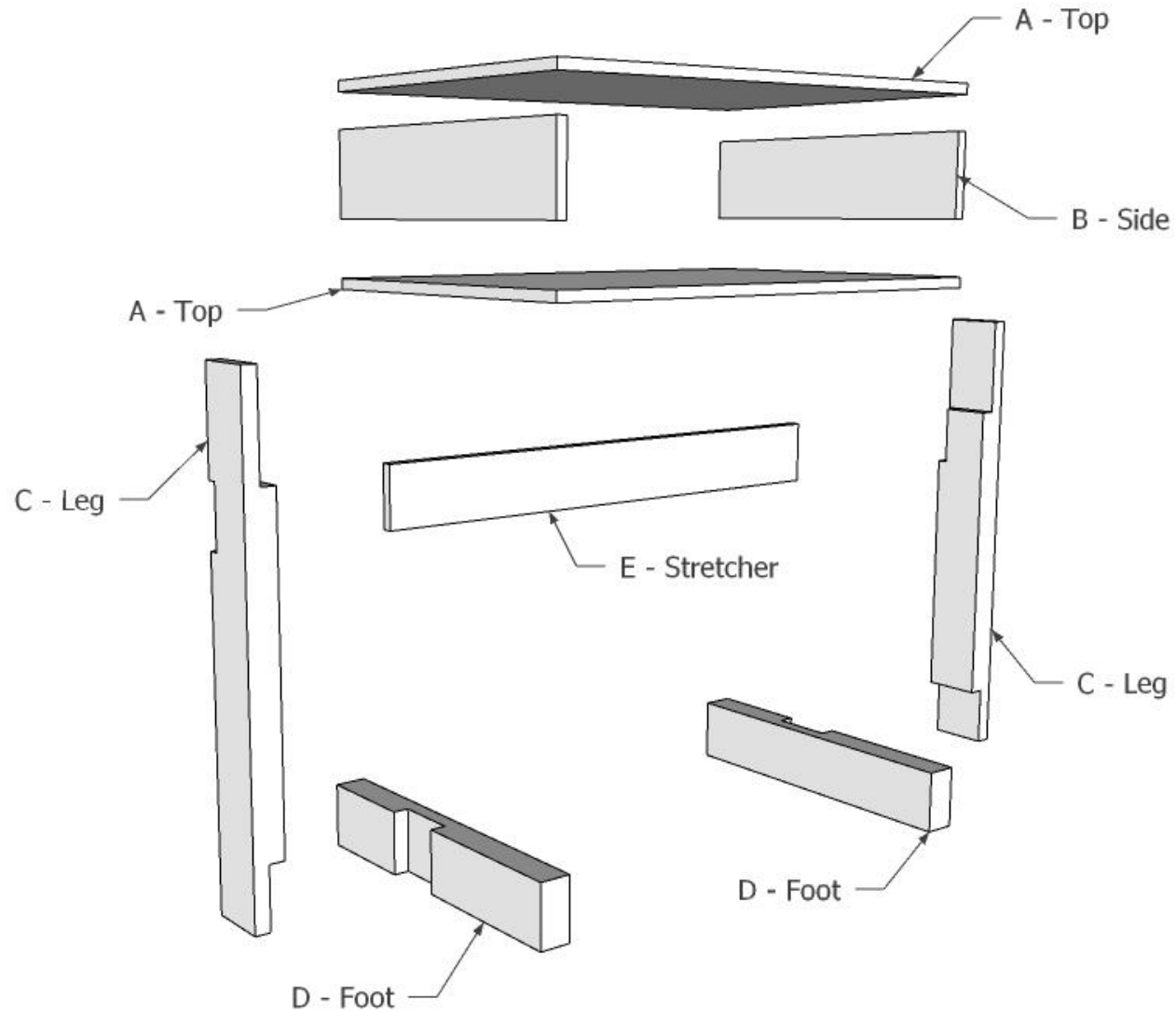
Cut List

Part ID	Part Description	Material	QTY	Width	Length	Thickness
A	Top	1/2" Plywood	2	16"	24"	1/2"
B	Side	1/2" Plywood	2	4"	16"	1/2"
C	Leg	2x4x8 Stud	2	3"	24"	1 1/2"
D	Foot	2x4x8 Stud	2	3"	16"	1 1/2"
E	Stretcher	1/2" Plywood	1	3"	25 1/2"	1/2"

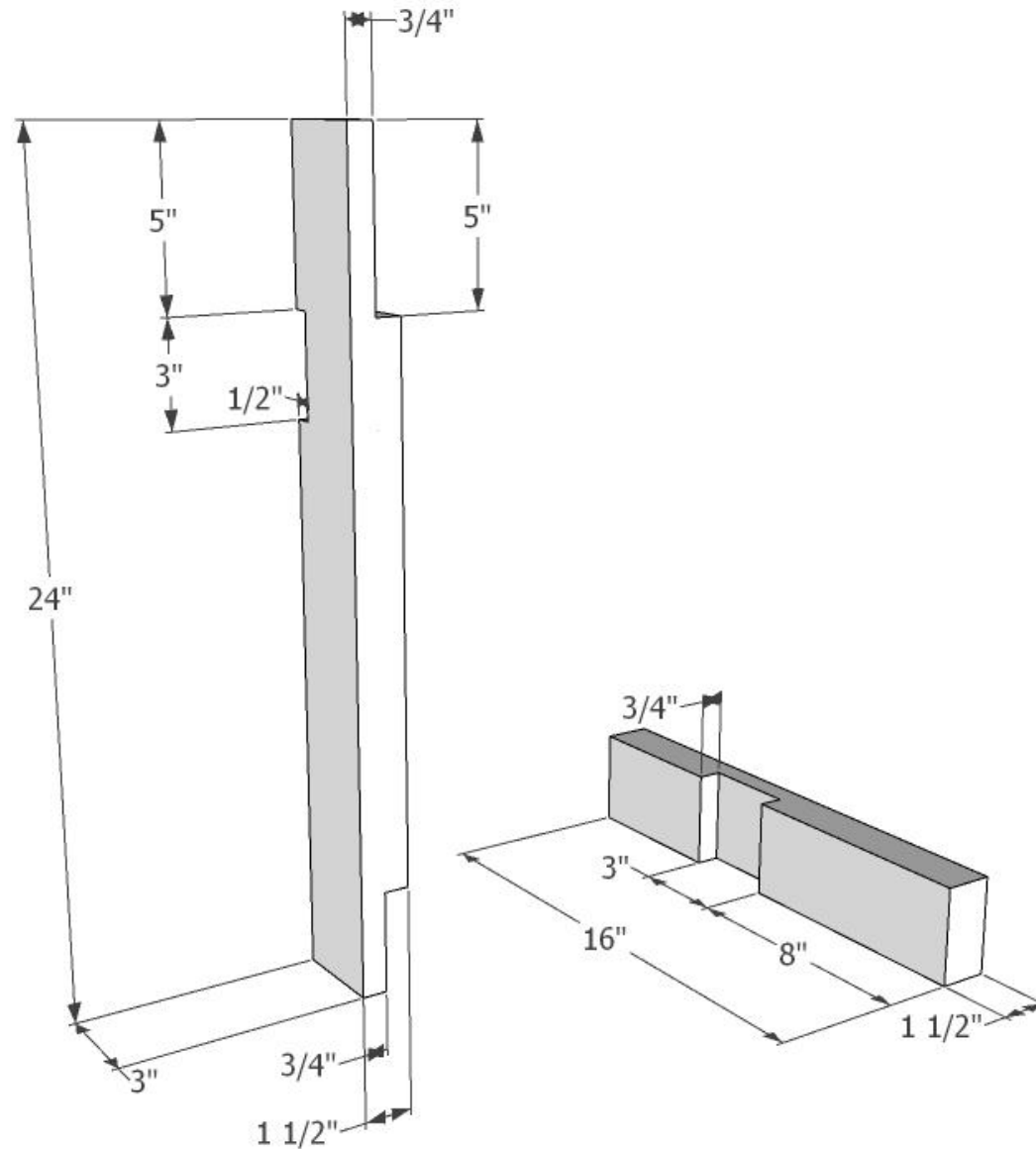
Materials List

Description	Type	Qty
1/2" Plywood	n/a	1/4 Sheet
2x4x8 Construction Lumber	na	1 ea

Exploded View

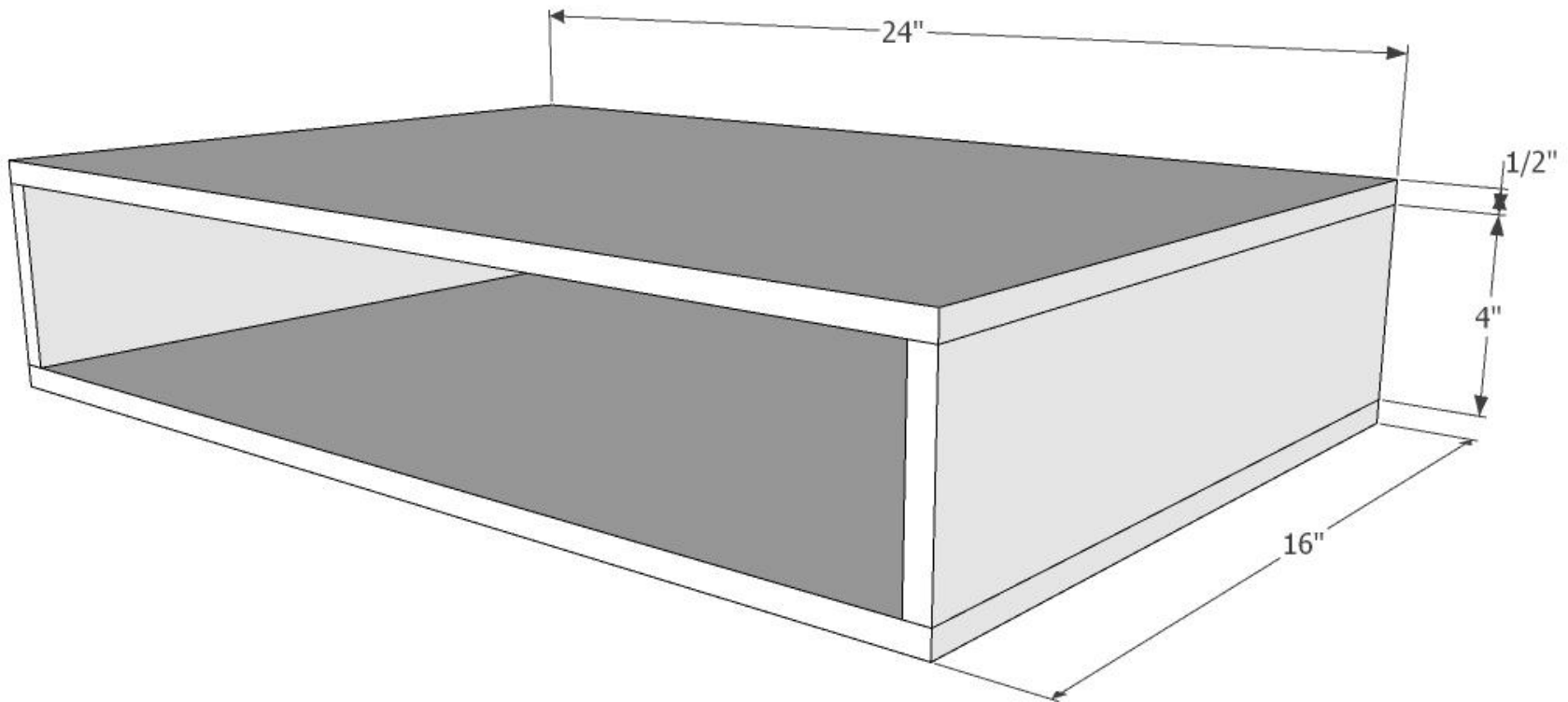


Leg Assembly



Top Assembly

With Joinery



General Assembly

