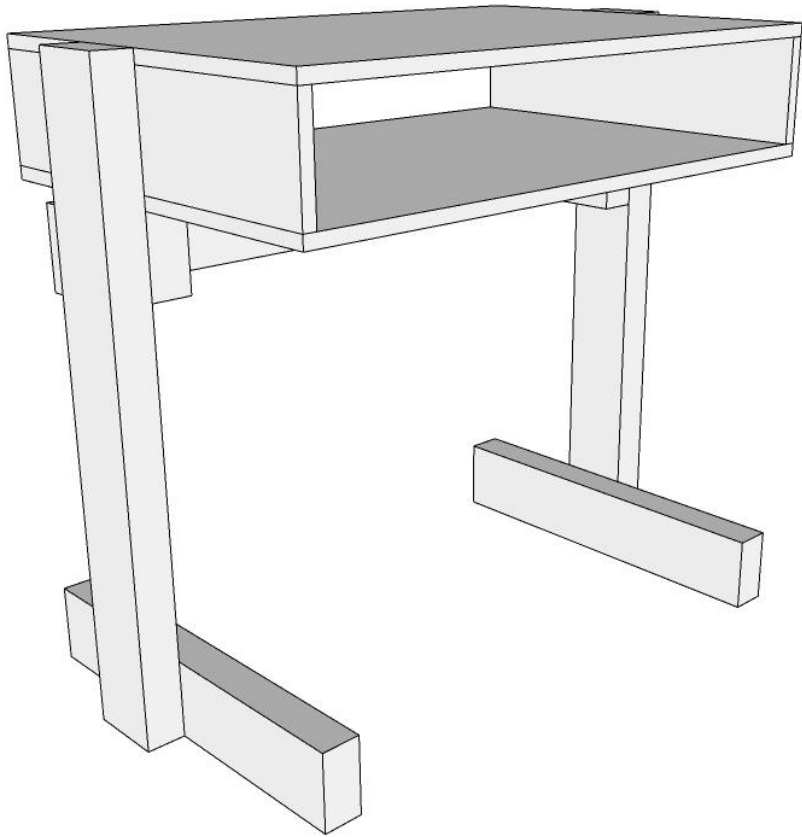
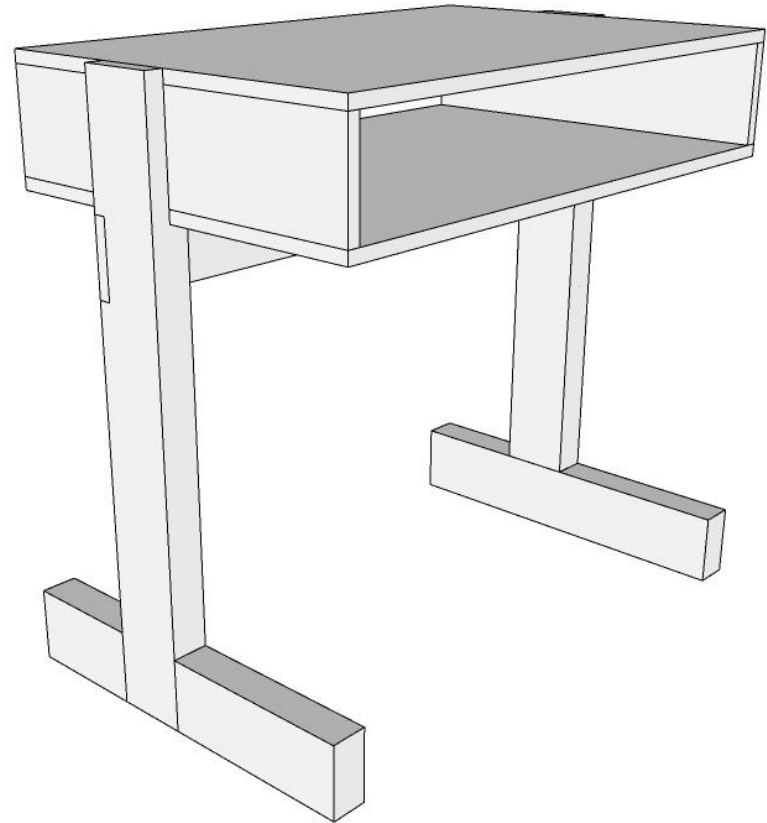


Kids School Desk - Metric

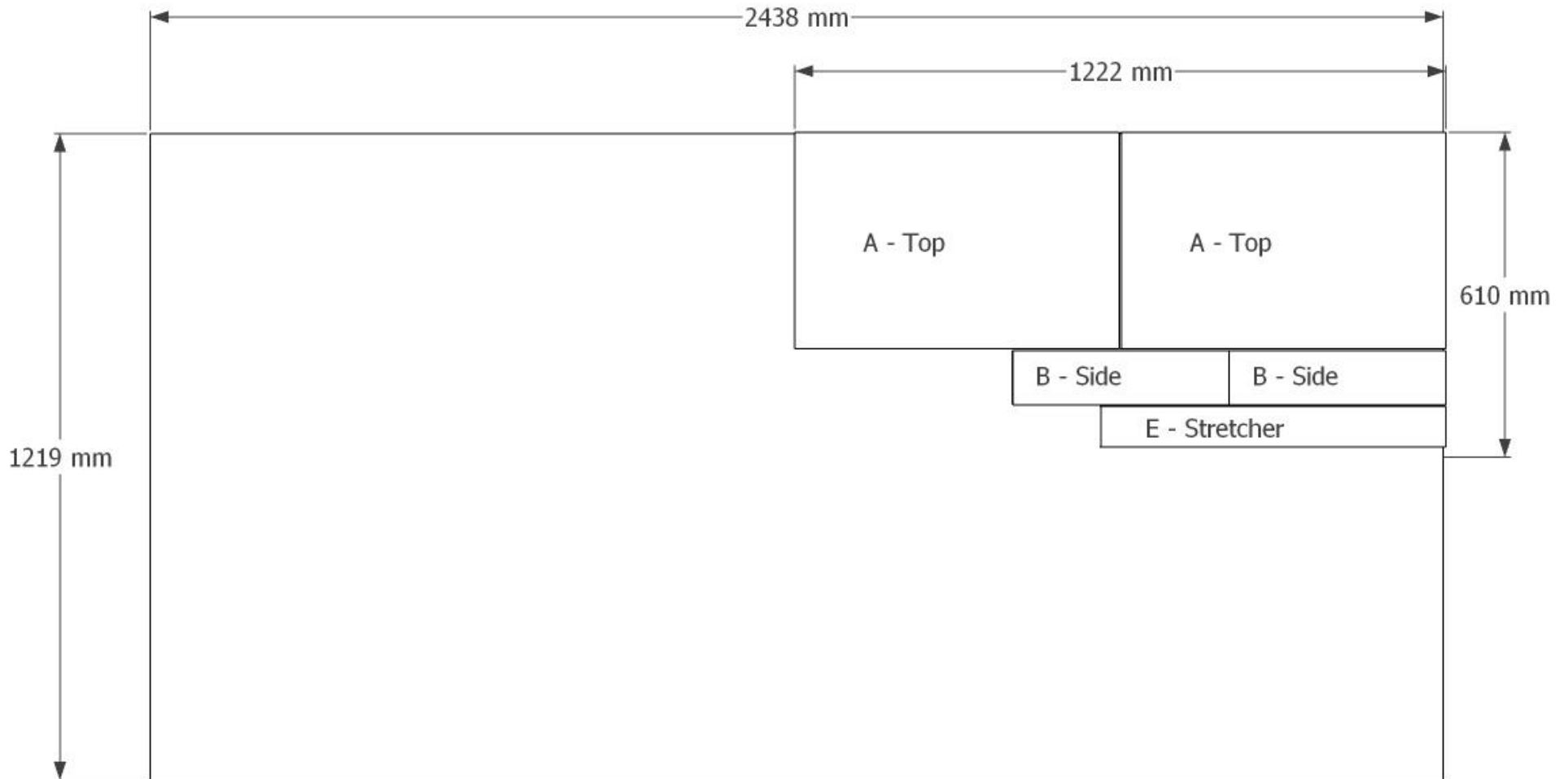
Basic



With Joinery



Plywood Cut Diagram



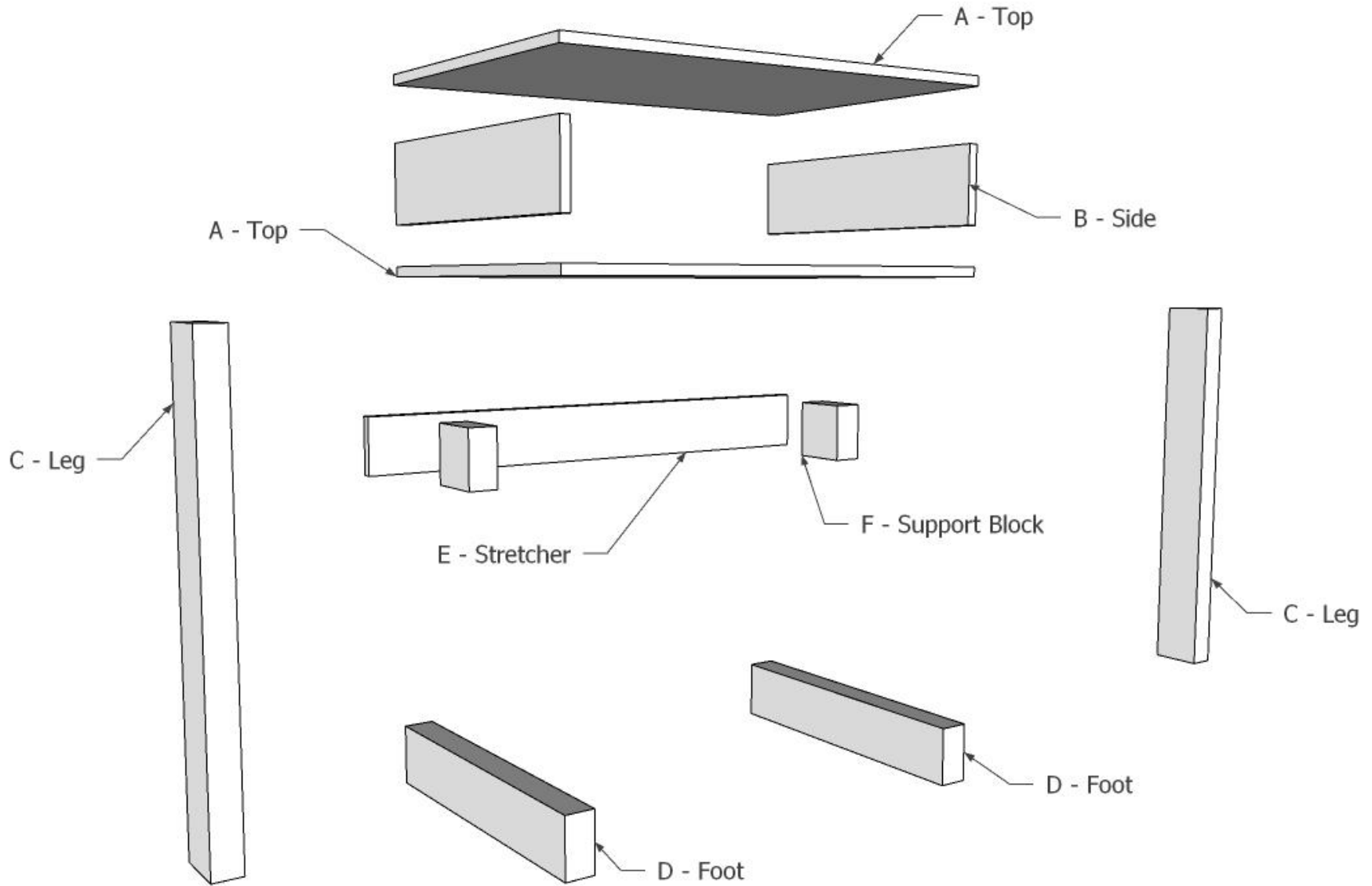
Cut List

Part ID	Part Description	Material	QTY	Width	Length	Thickness
A	Top	1/2" Plywood	2	406mm	610mm	13mm
B	Side	1/2" Plywood	2	102mm	406mm	13mm
C	Leg	2x4x8 Stud	2	76mm	610mm	38mm
D	Foot	2x4x8 Stud	2	76mm	406mm	38mm
E	Stretcher	1/2" Plywood	1	76mm	686mm	13mm
F	Support Block	2x4x8 Stud	2	76mm	76mm	38mm

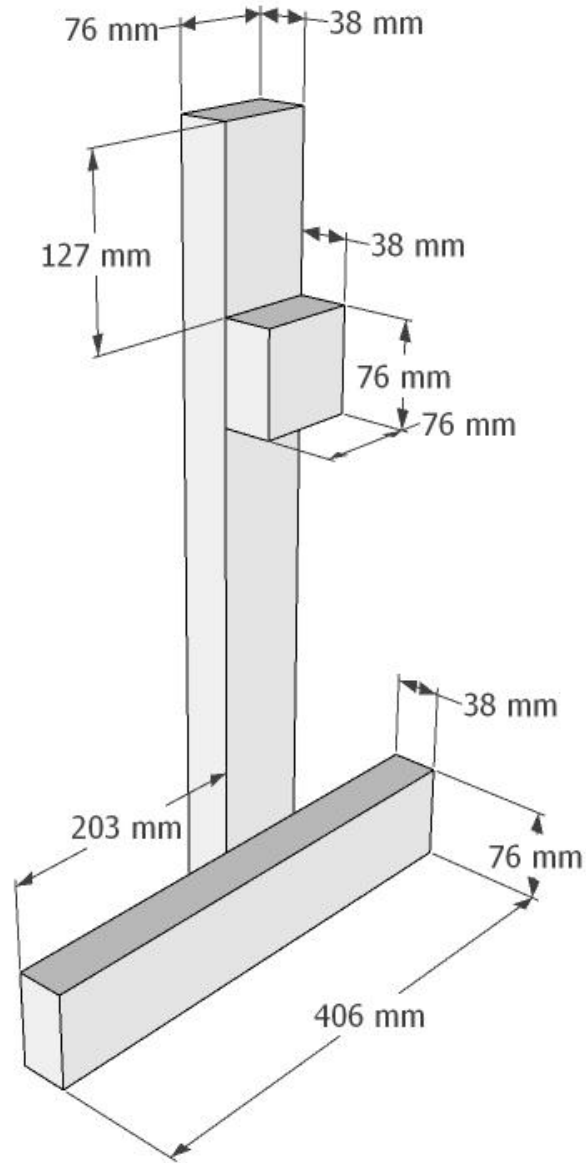
Materials List

Description	Type	Qty
1/2" Plywood	n/a	1/4 Sheet
2x4x8 Construction Lumber	na	1 ea

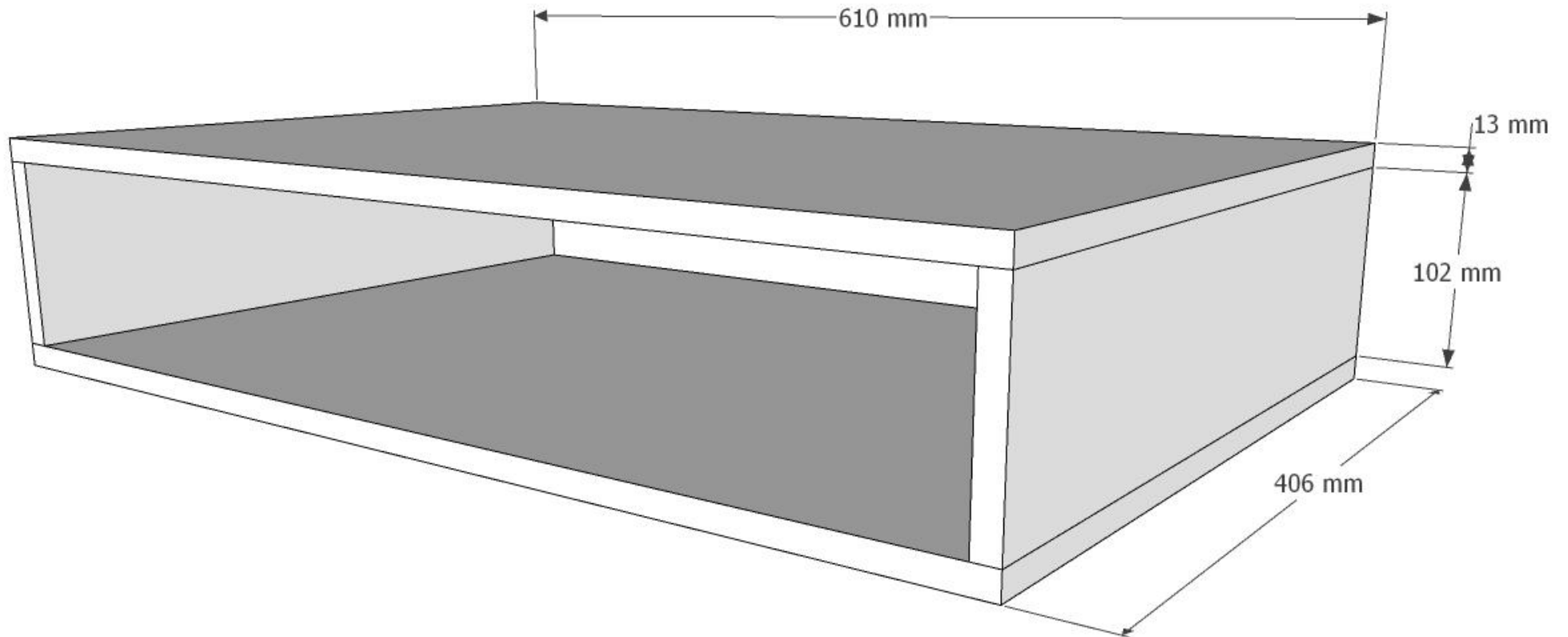
Exploded View



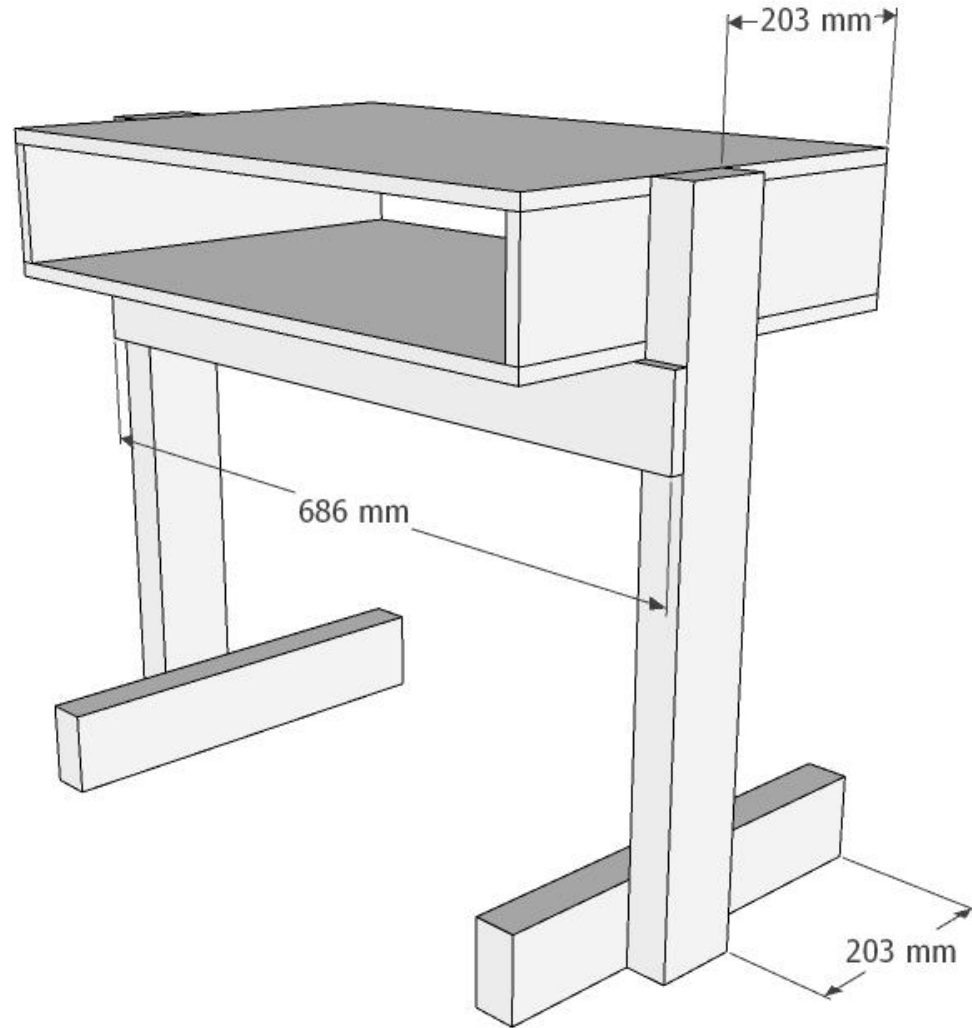
Leg Assembly



Top Assembly



General Assembly



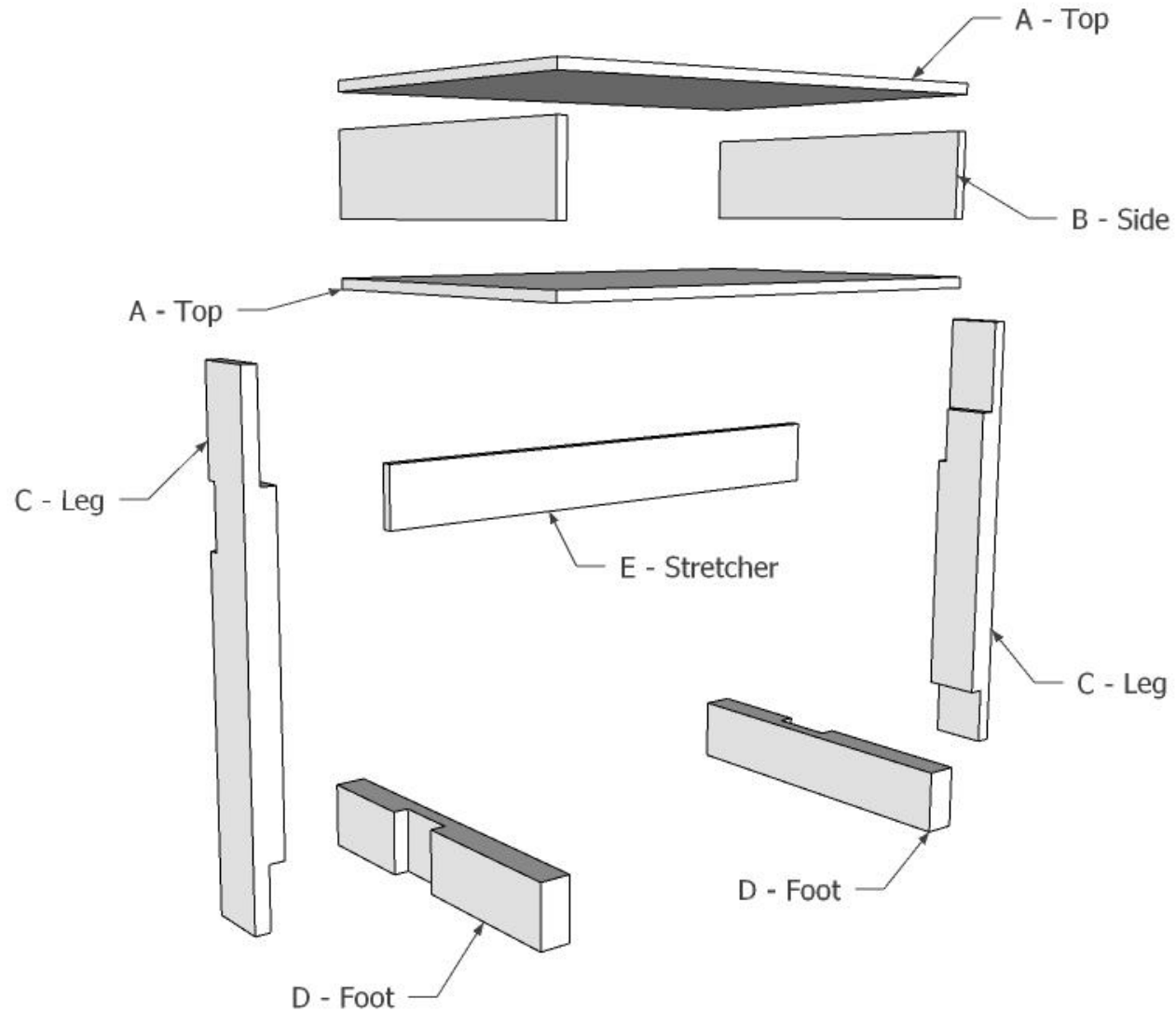
Cut List

Part ID	Part Description	Material	QTY	Width	Length	Thickness
A	Top	1/2" Plywood	2	406mm	610mm	13mm
B	Side	1/2" Plywood	2	102mm	406mm	13mm
C	Leg	2x4x8 Stud	2	76mm	610mm	38mm
D	Foot	2x4x8 Stud	2	76mm	406mm	38mm
E	Stretcher	1/2" Plywood	1	76mm	648mm	13mm

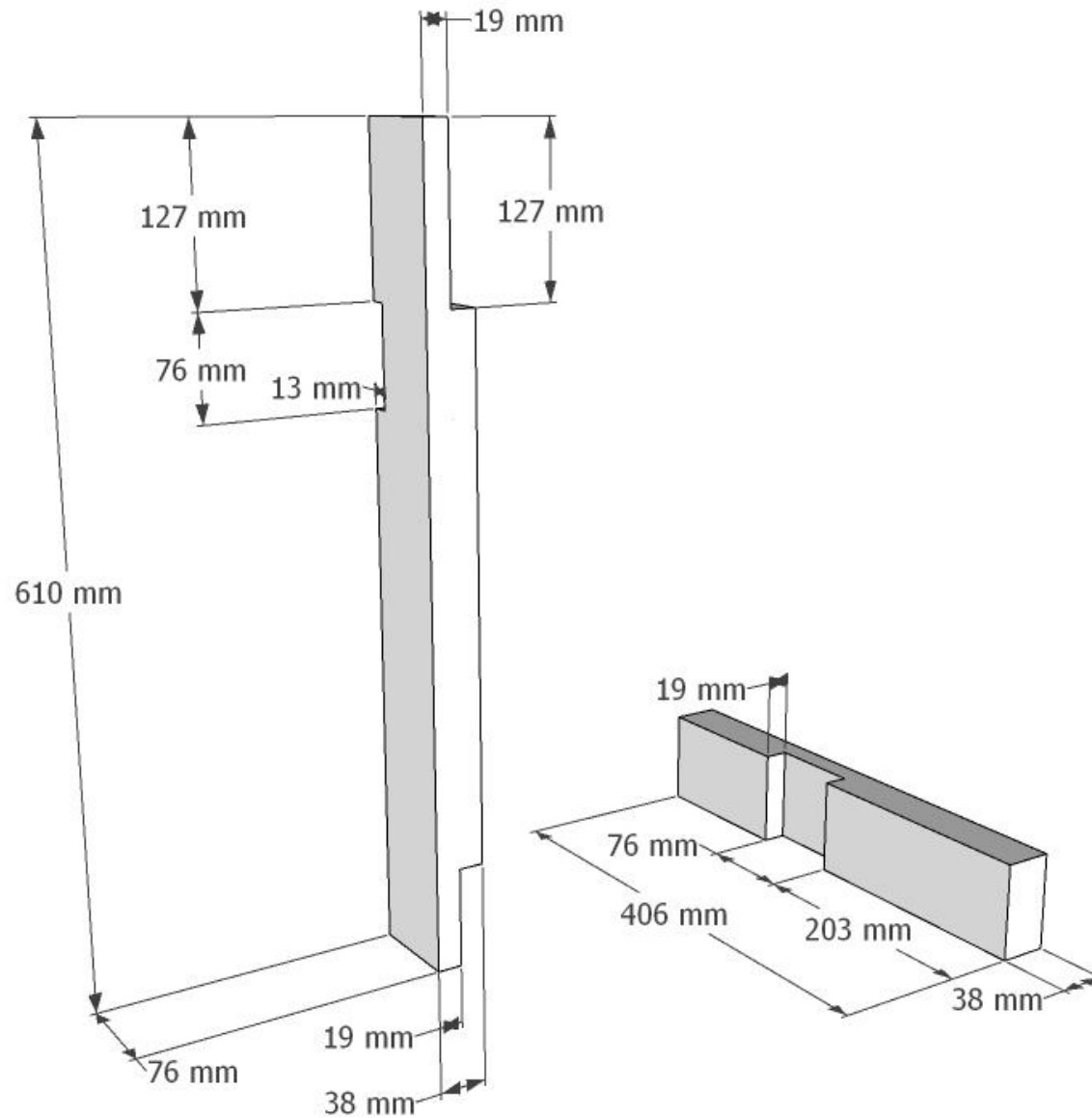
Materials List

Description	Type	Qty
1/2" Plywood	n/a	1/4 Sheet
2x4x8 Construction Lumber	na	1 ea

Exploded View

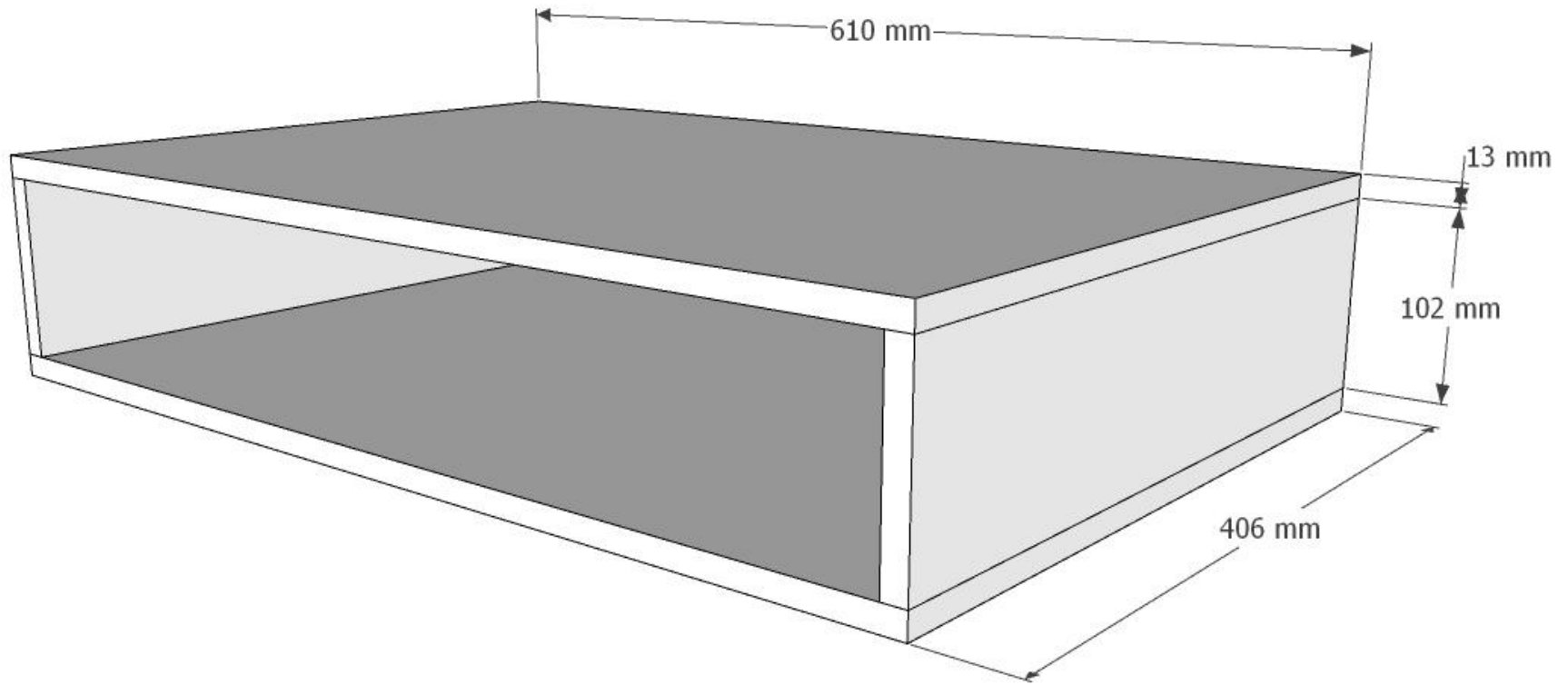


Leg Assembly



Top Assembly

With Joinery



General Assembly

