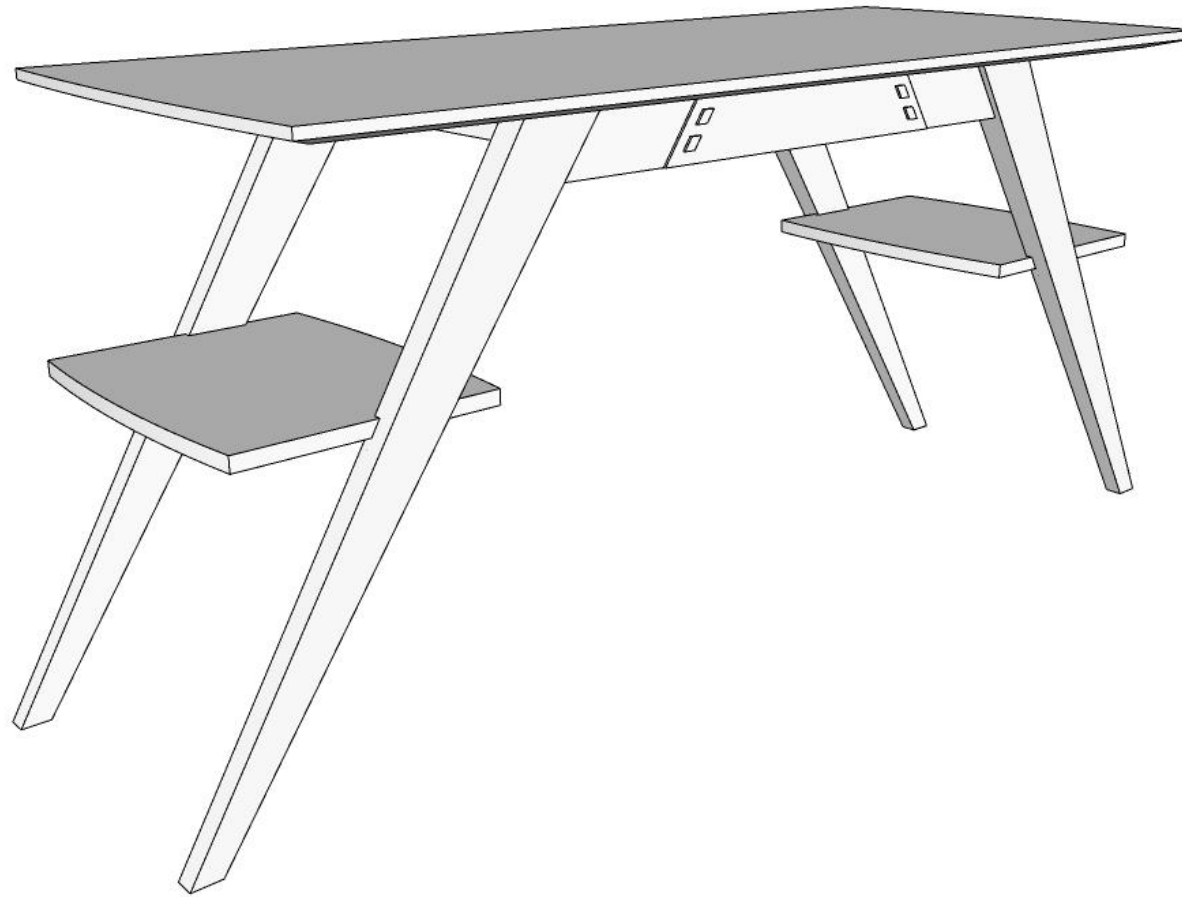


Nicole's Desk



Design: Marc Spagnuolo
Plans: Marc Spagnuolo & Brian Benham
Copyright © 2020, The Wood Whisperer, Inc. TheWoodWhisperer.com
Version 1



TWW[®]

Cut List

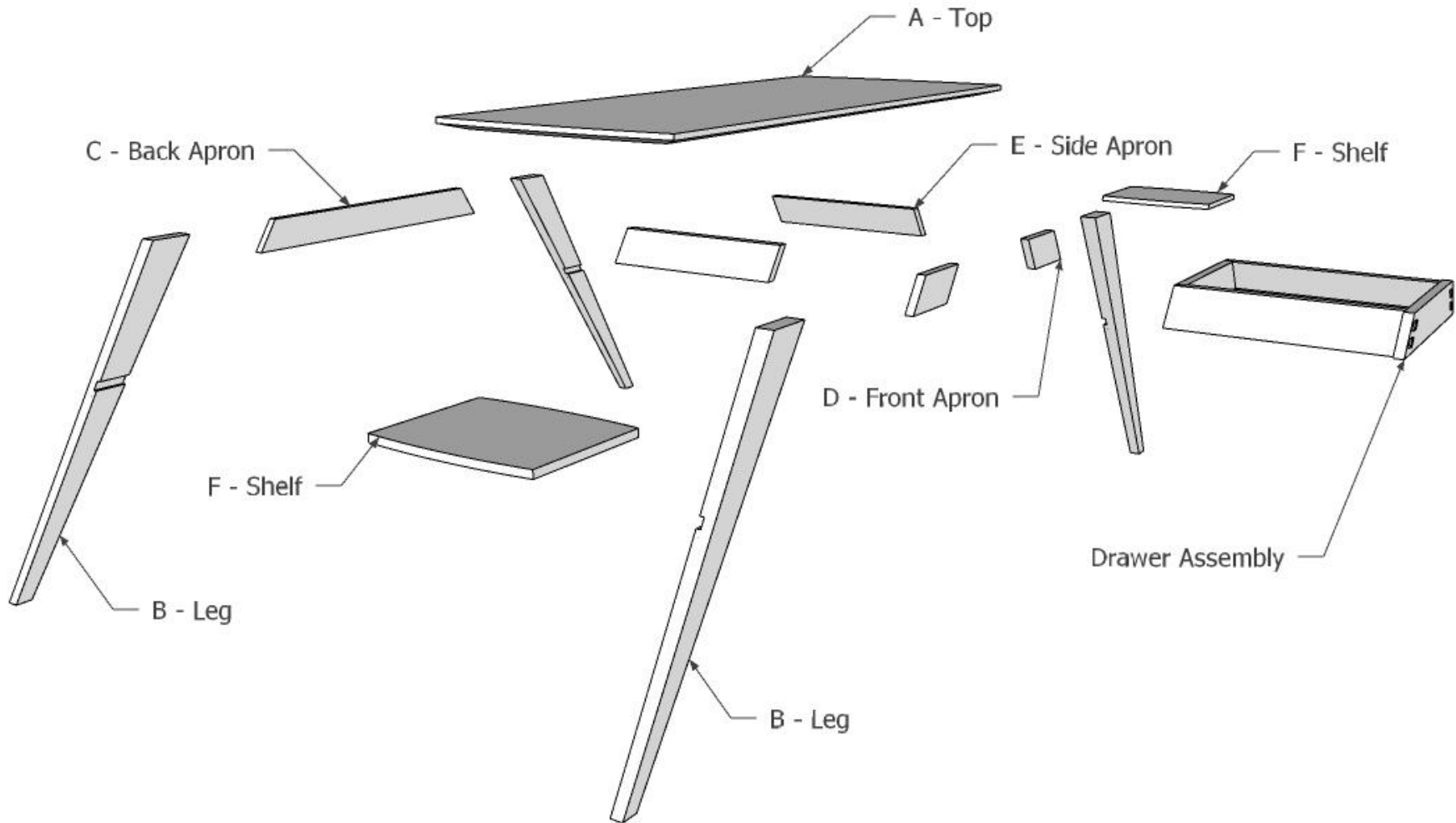
Part ID	Part Description	Material	QTY	Width	Length	Thickness
A	Top	5/4 Hardwood Sp2	1	24"	60"	1"
B	Leg	8/4 Hardwood SP1	4	3 3/8"	36"	1 1/2"
C	Back Apron	4/4 Hardwood SP1	1	3"	30 1/2"	3/4"
D	Front Apron	4/4 Hardwood SP1	2	3"	8"	3/4"
E	Side Apron	4/4 Hardwood SP1	2	4 1/8"	16 3/4"	3/4"
F	Shelf	4/4 Hardwood SP2	2	16 3/4"	14"	3/4"
G	Drawer Front	4/4 Hardwood SP2	1	3"	18 1/2"	3/4"
H	Drawer Side	4/4 Hardwood SP1	2	4 1/8"	17 5/8"	3/4"
I	Drawer Back	4/4 Hardwood SP1	1	3"	16 7/16"	3/4"
J	Drawer Bottom	4/4 Hardwood SP1	1	15 7/8"	16 1/2"	1/4"

Materials List

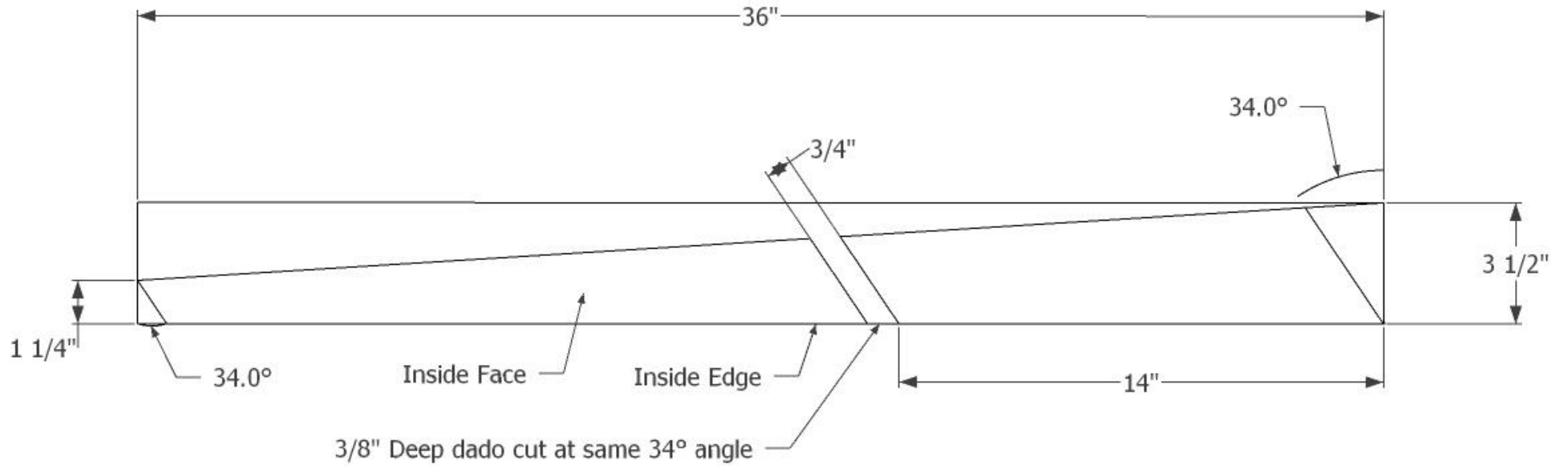
Description	Type	Approximate BF	+20%
4/4 Hardwood	Species 1	6	8
8/4 Hardwood	Species 1	7	9
4/4 Hardwood	Species 2	4	5
5/4 Hardwood	Species 2	13	16

*Note Board Feet quantities have been rounded up to the nearest board foot

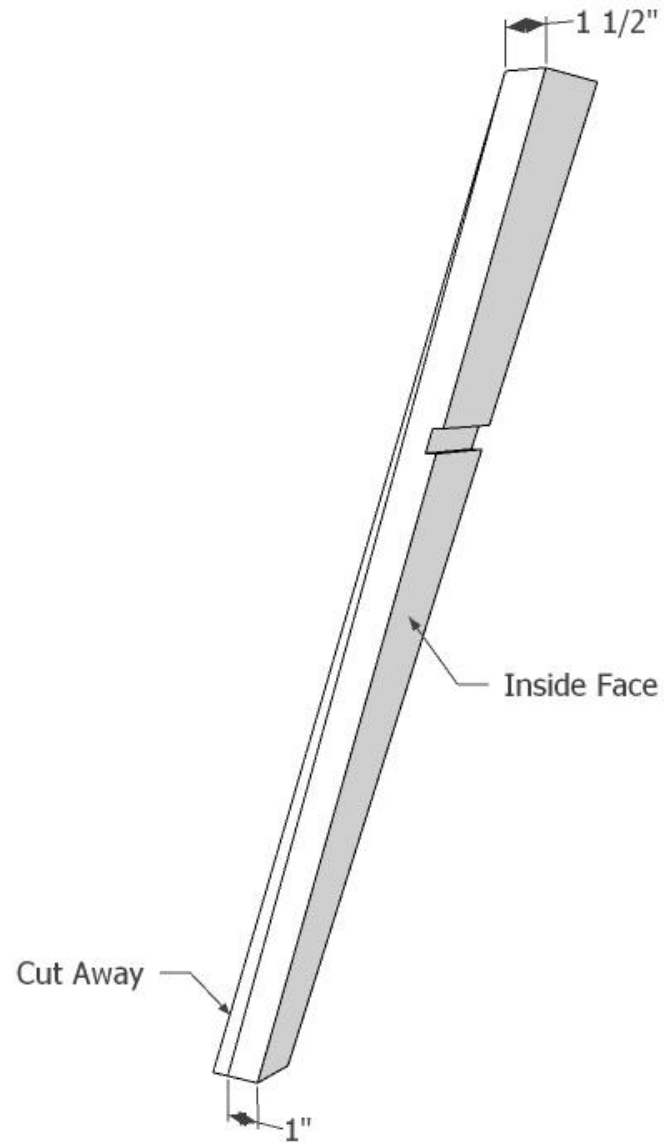
Exploded View



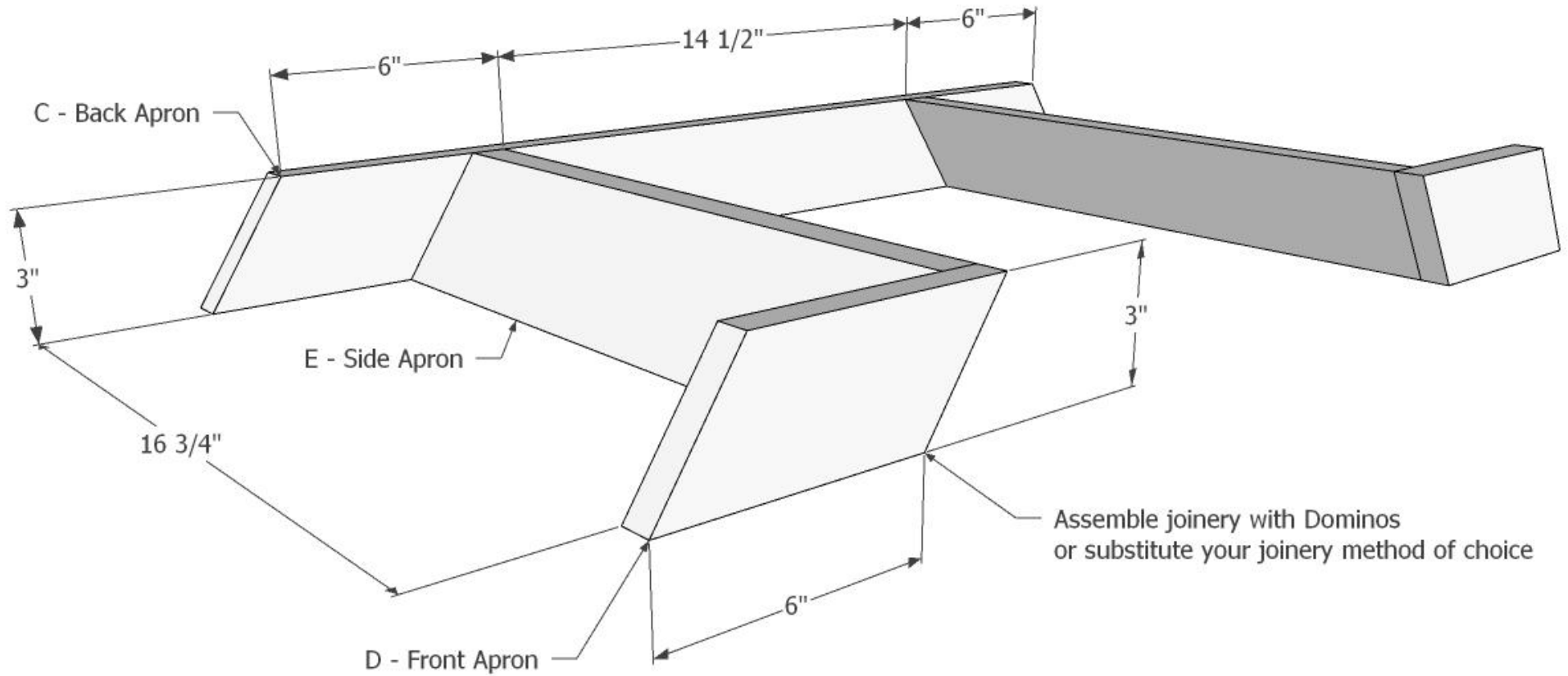
Leg Detail



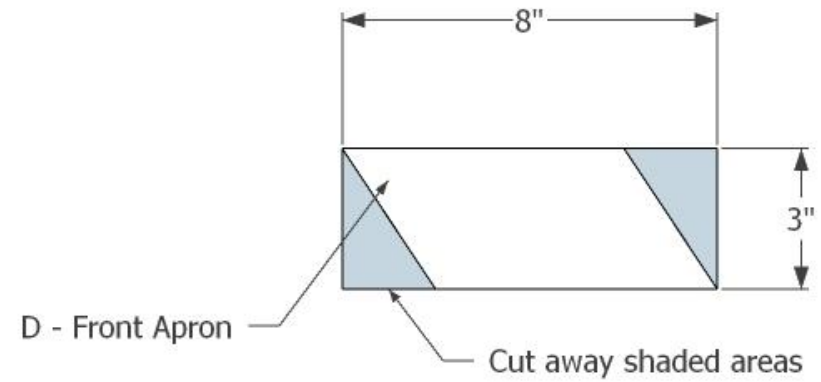
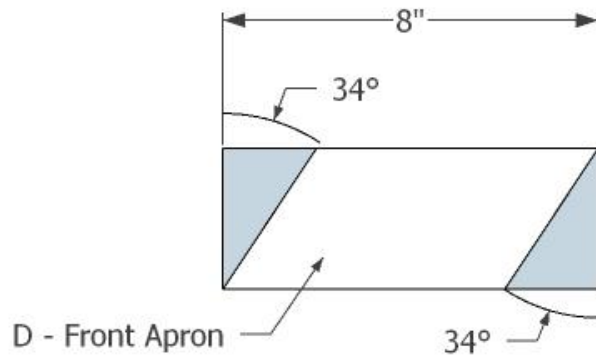
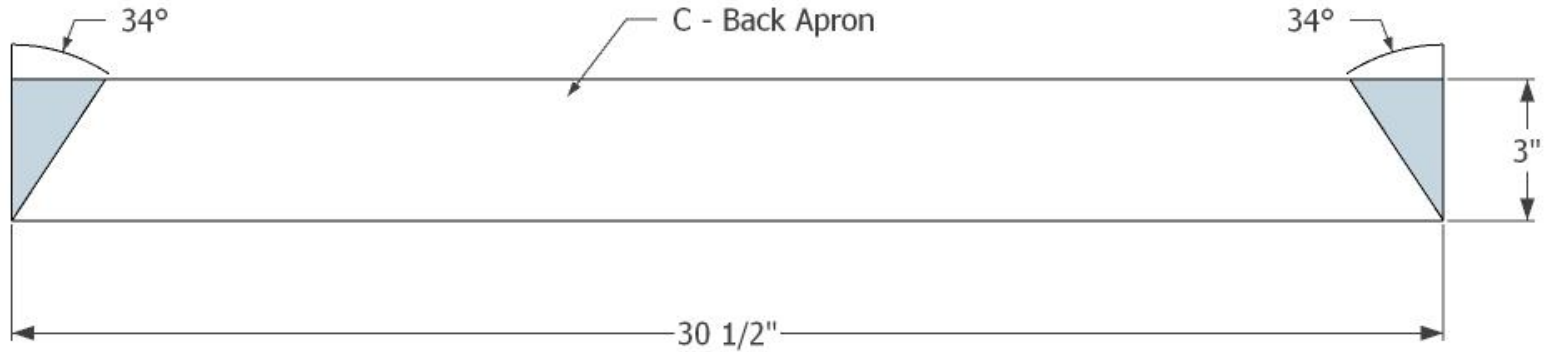
Leg Taper Detail



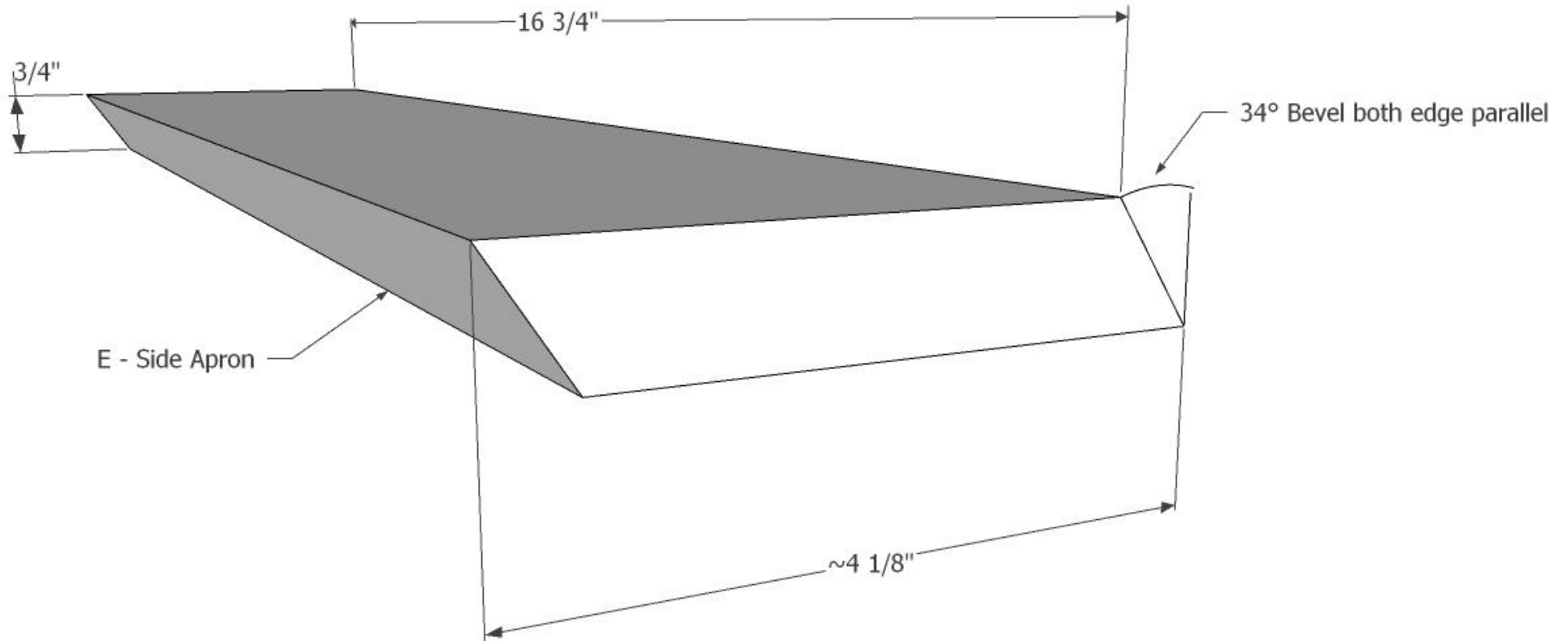
Apron Assembly



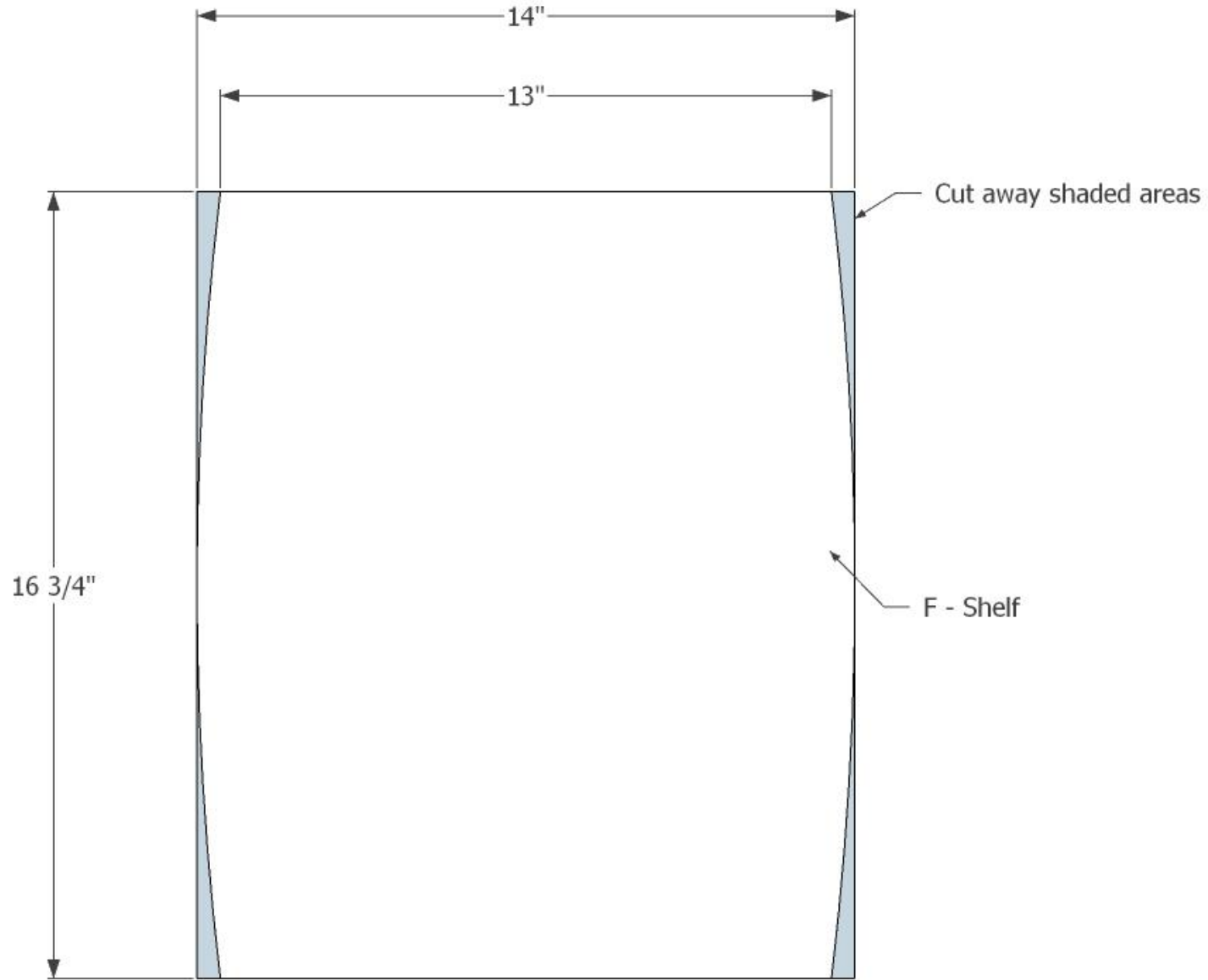
Front and Back Apron Detail



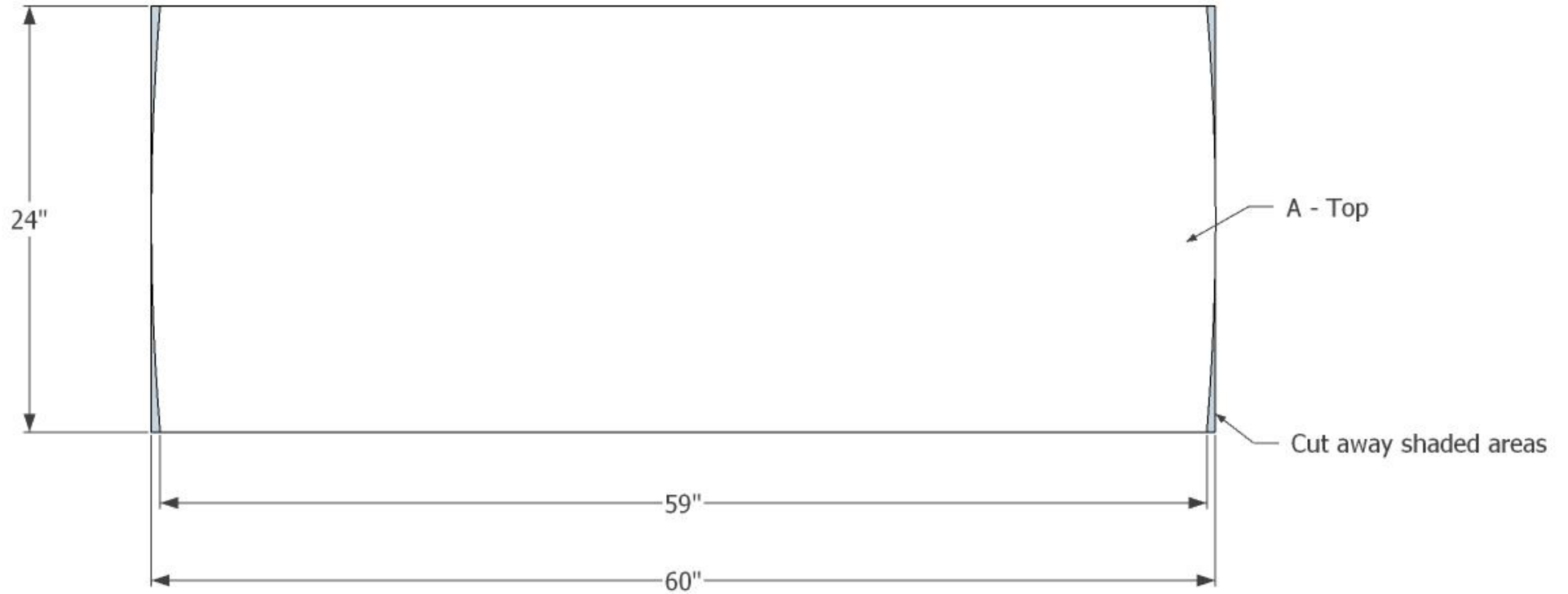
Side Apron Detail



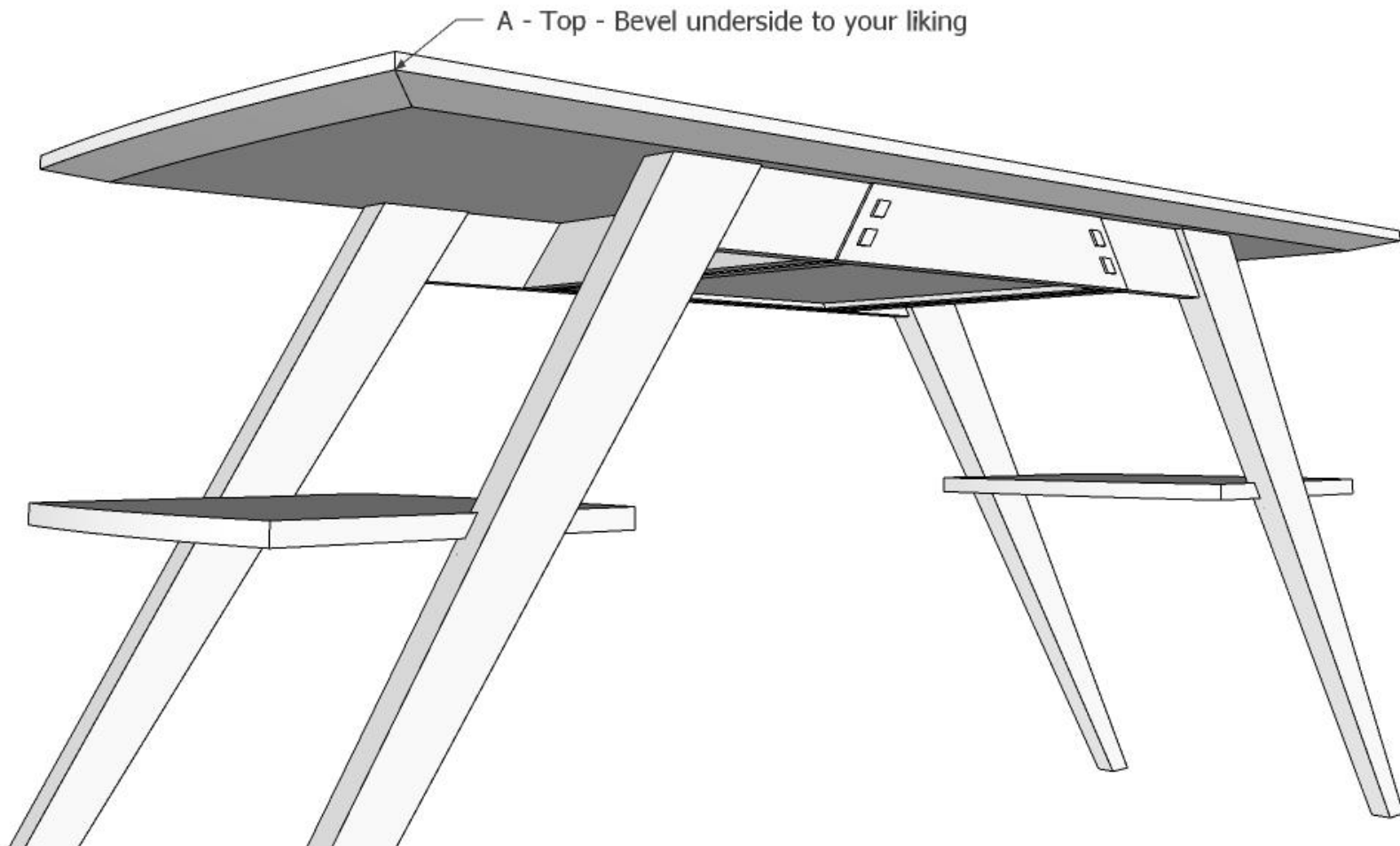
Shelf Detail



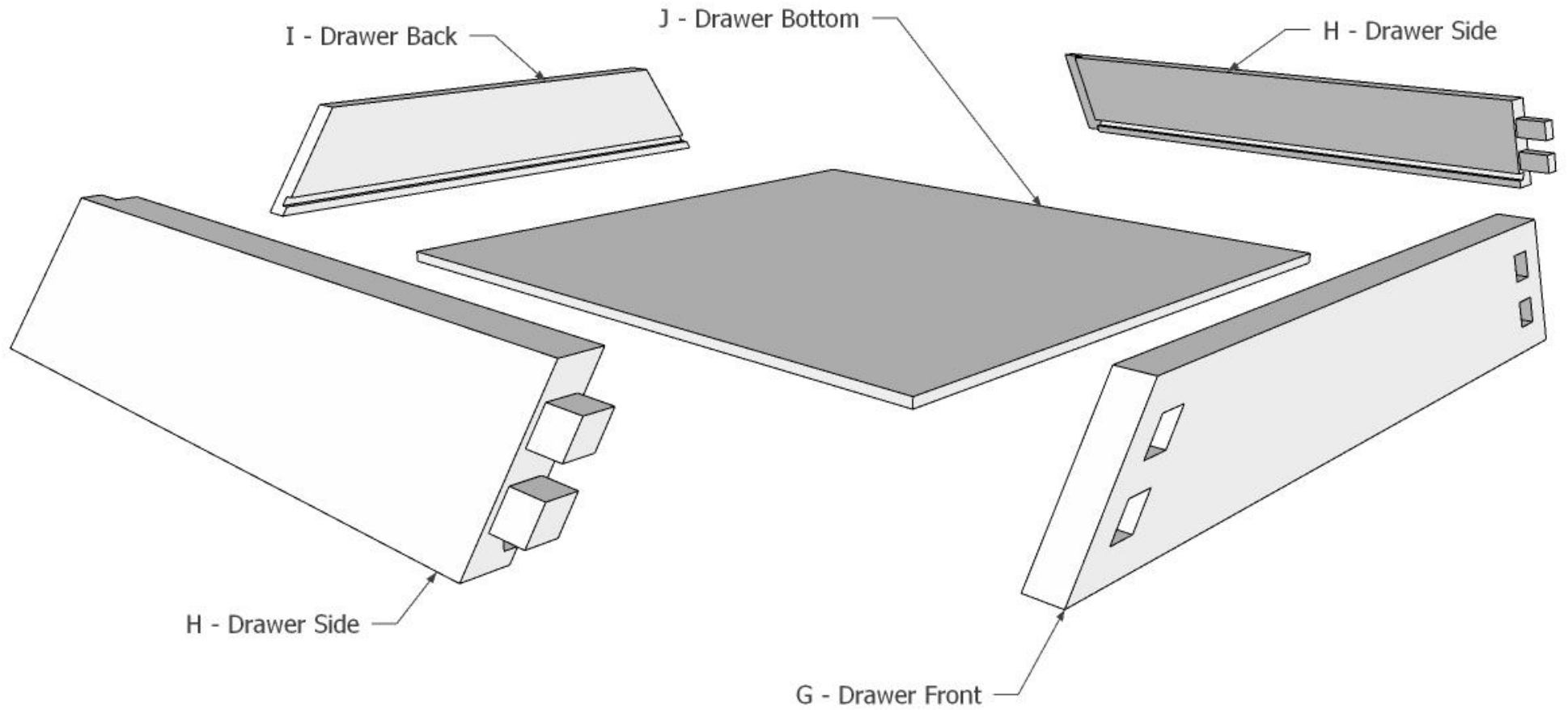
Top Detail



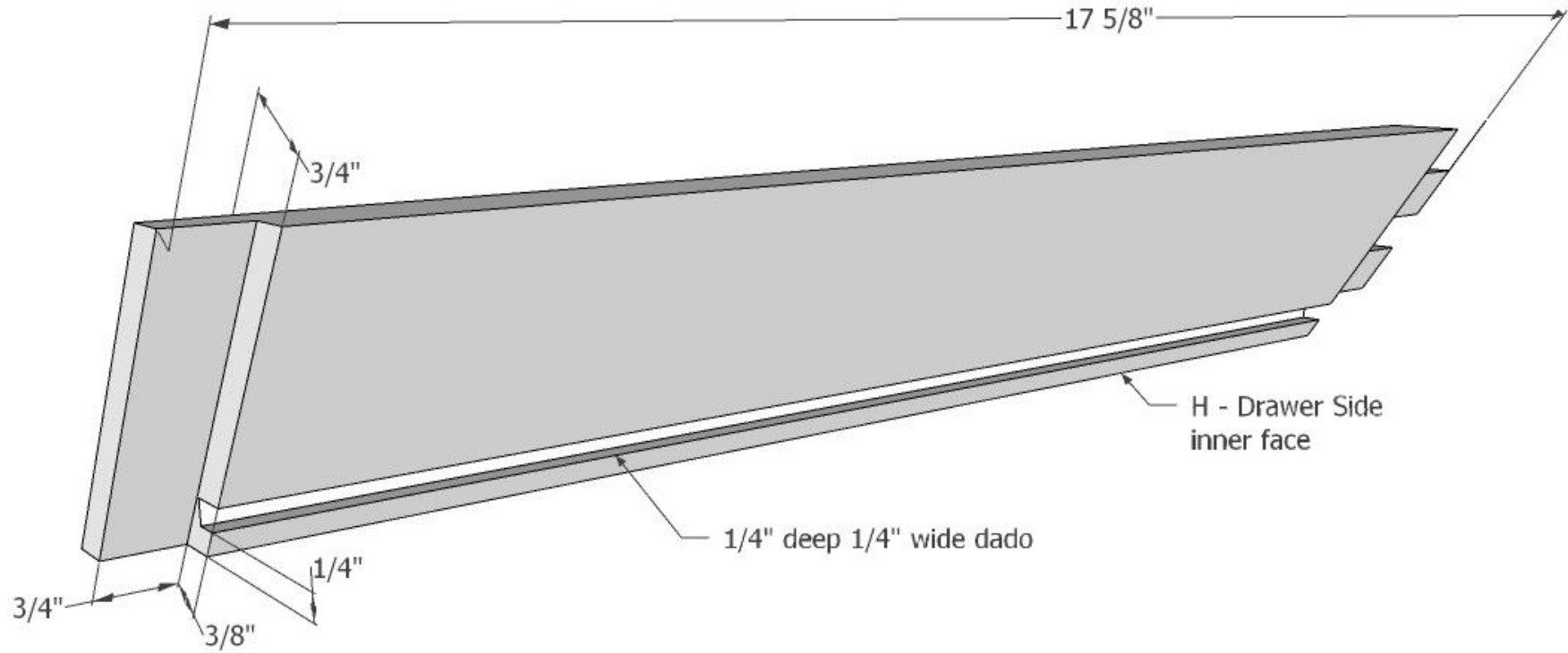
Top Bevel Detail



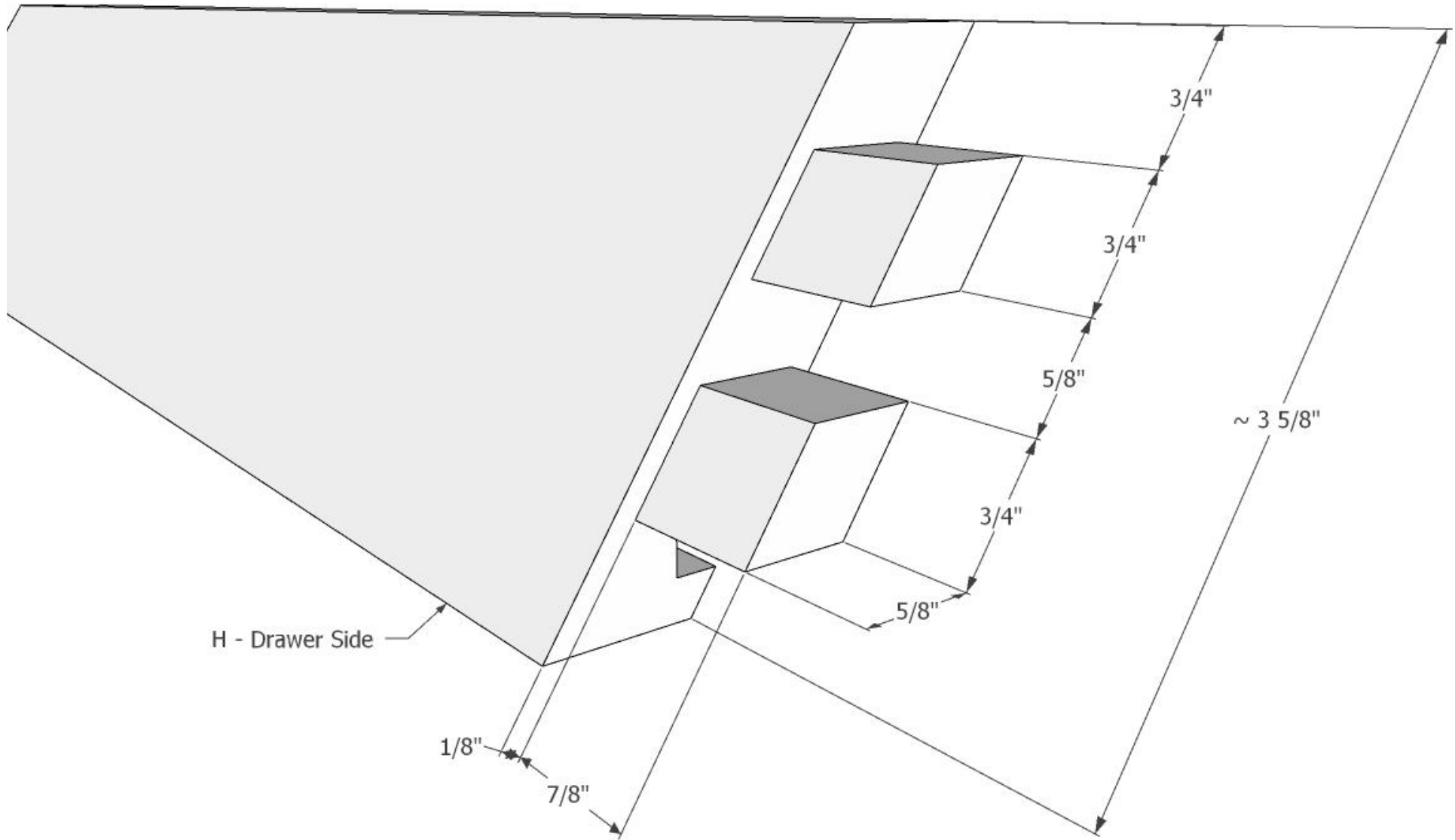
Drawer Assembly



Drawer Side Detail



Drawer Side Tenon



Drawer Front Detail

