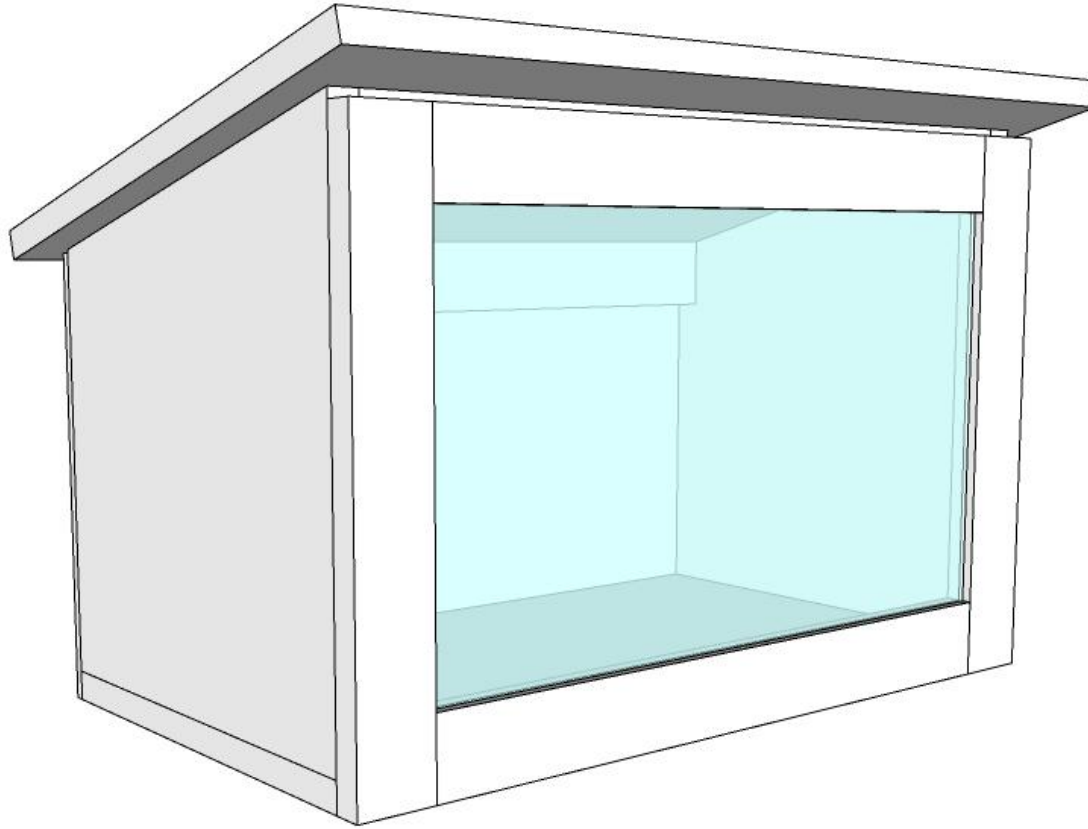


Little Library



Design: Marc Spagnuolo
Plans: Marc Spagnuolo & Brian Benham
Copyright © 2020, The Wood Whisperer, Inc. TheWoodWhisperer.com
Version 1



TWW[®]

Cut List

Part ID	Part Description	Material	QTY	Width	Length	Thickness
A	Bottom	3/4" Plywood	1	12"	22"	3/4"
B	Side	3/4" Plywood	2	12"	14"	3/4"
C	Back	1/4" Plywood	1	11 9/16"	22"	1/4"
D	Filler Strip	3/4" Plywood	2	2"	20 1/2"	3/4"
E	Roof	3/4" Plywood	1	15 9/16"	24"	3/4"
F	Door Stile	3/4" Cedar	2	2"	14 1/2"	3/4"
G	Door Rail	3/4" Cedar	2	2"	18"	3/4"

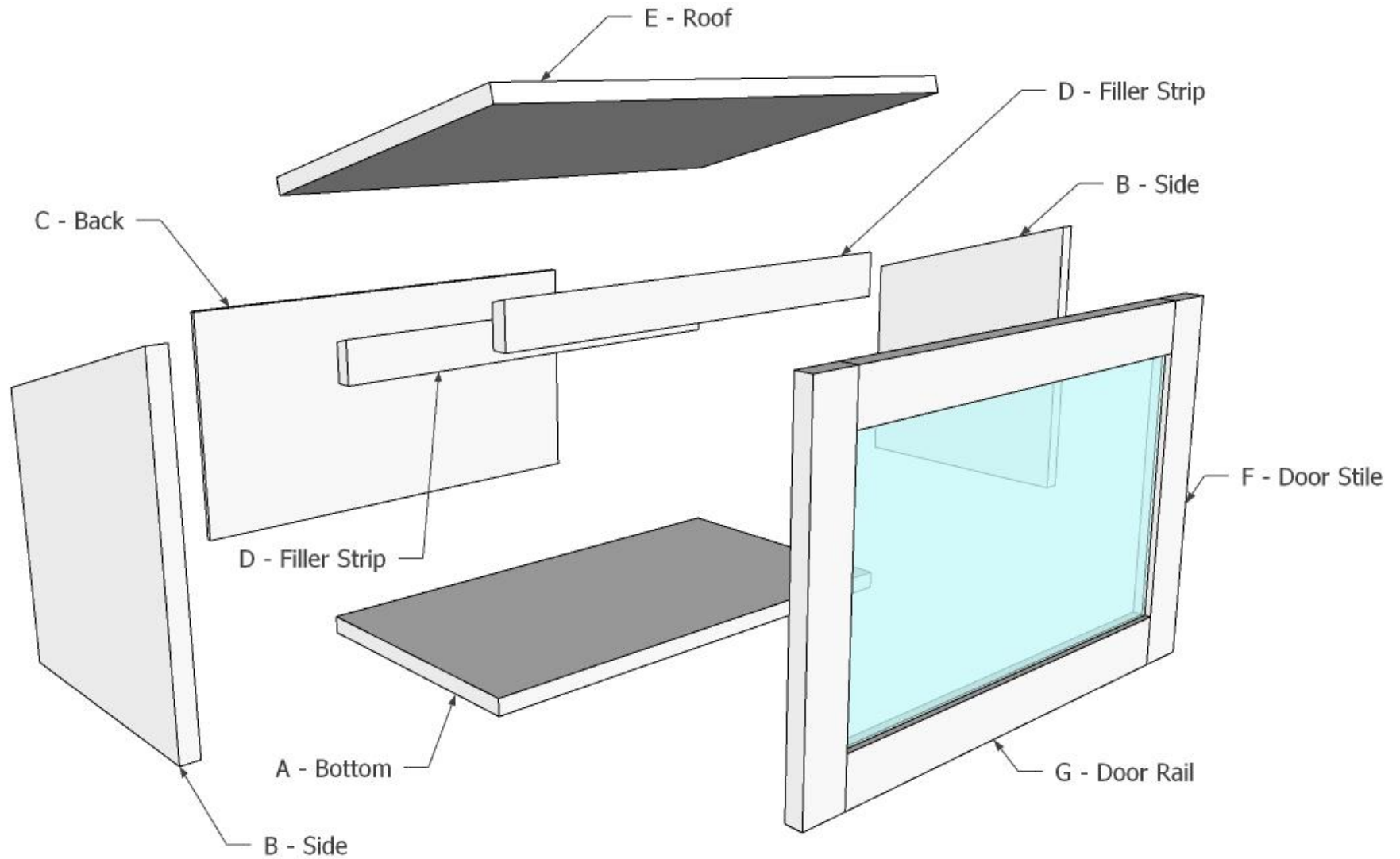
Plywood should be rated for exterior use.

Solid wood for the door should also be an outdoor-friendly species such as cedar or cypress.

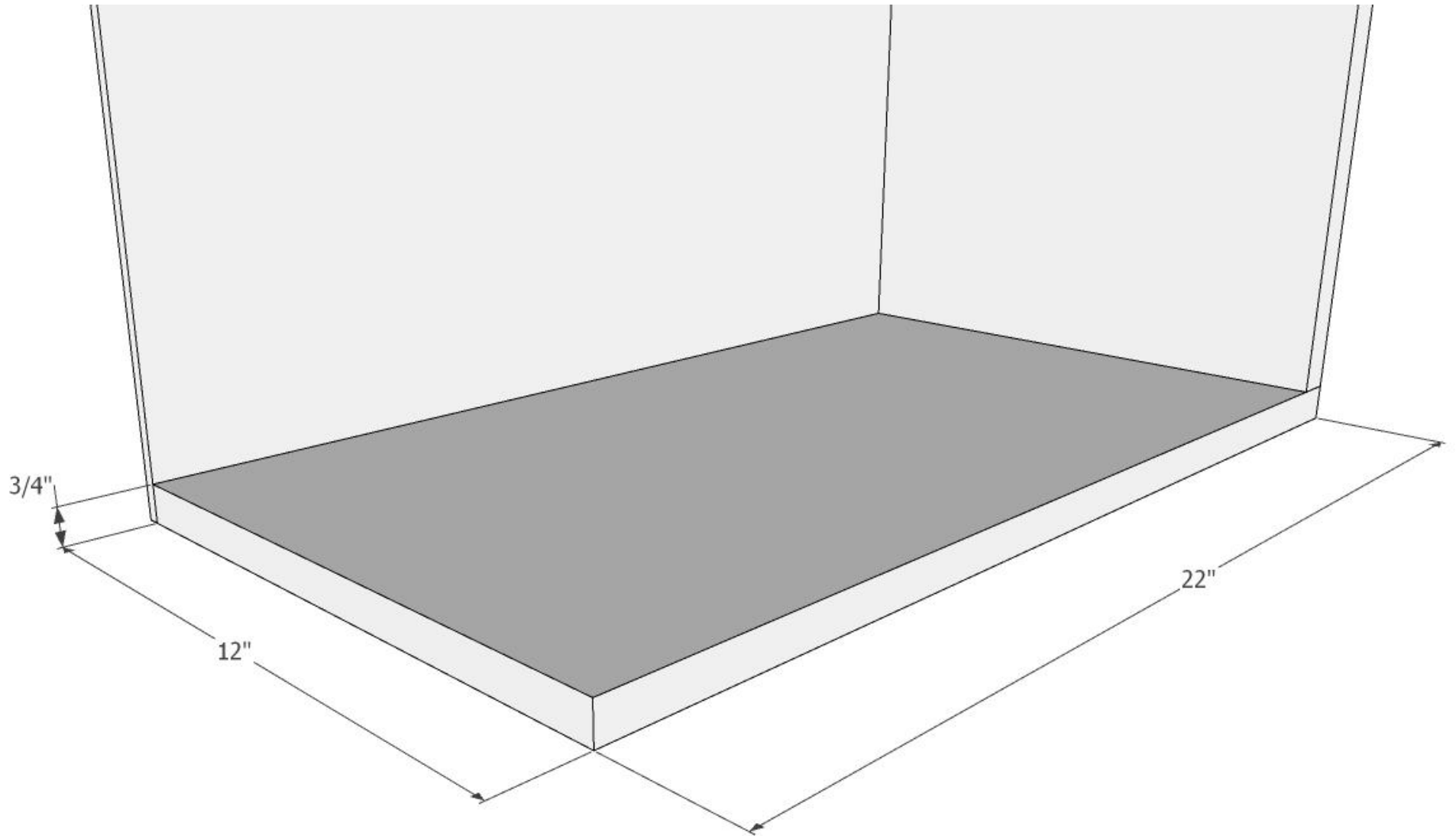
Materials List

Description	Type	Qty
3/4" Plywood	BCX	1 Sheet
1/4" Plywood	BCX	1/4 Sheet
1"x6"x8' Poplar board	n/a	1 ea
Hinge	n/a	1 pair
Glass, Single strength 11 1/2" x 19"	na	1 ea

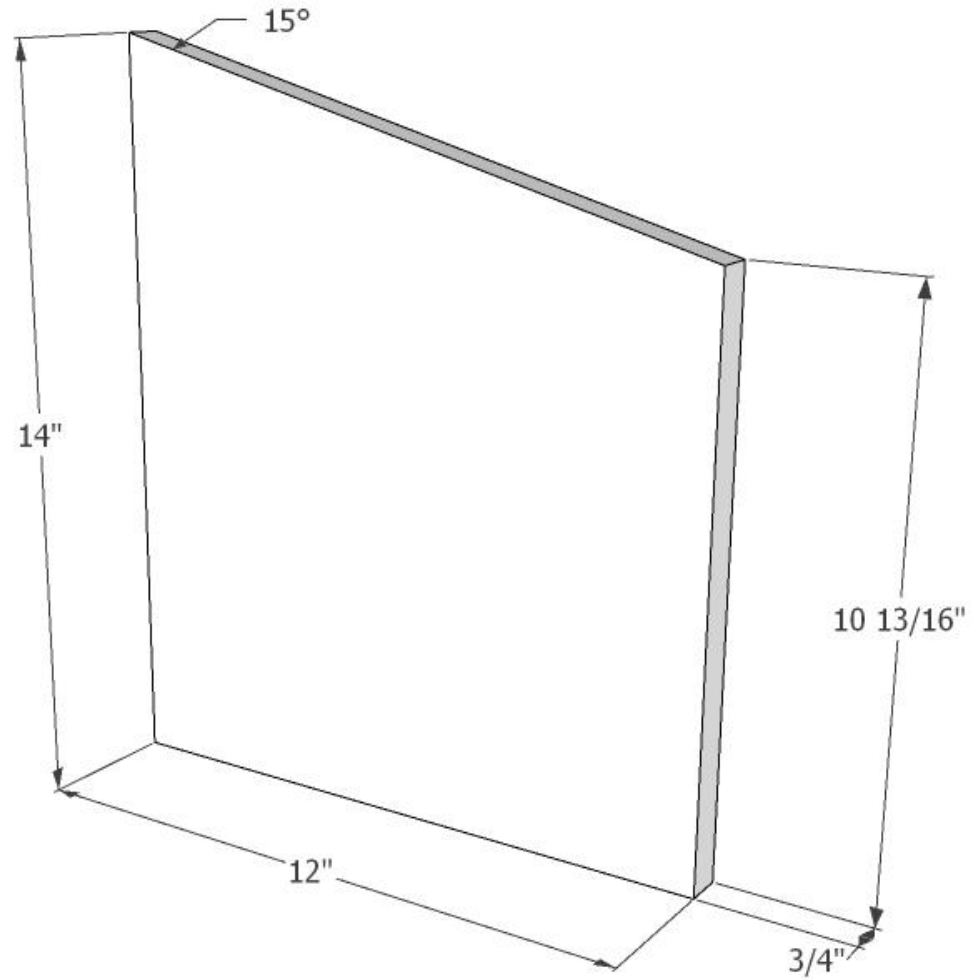
Exploded View



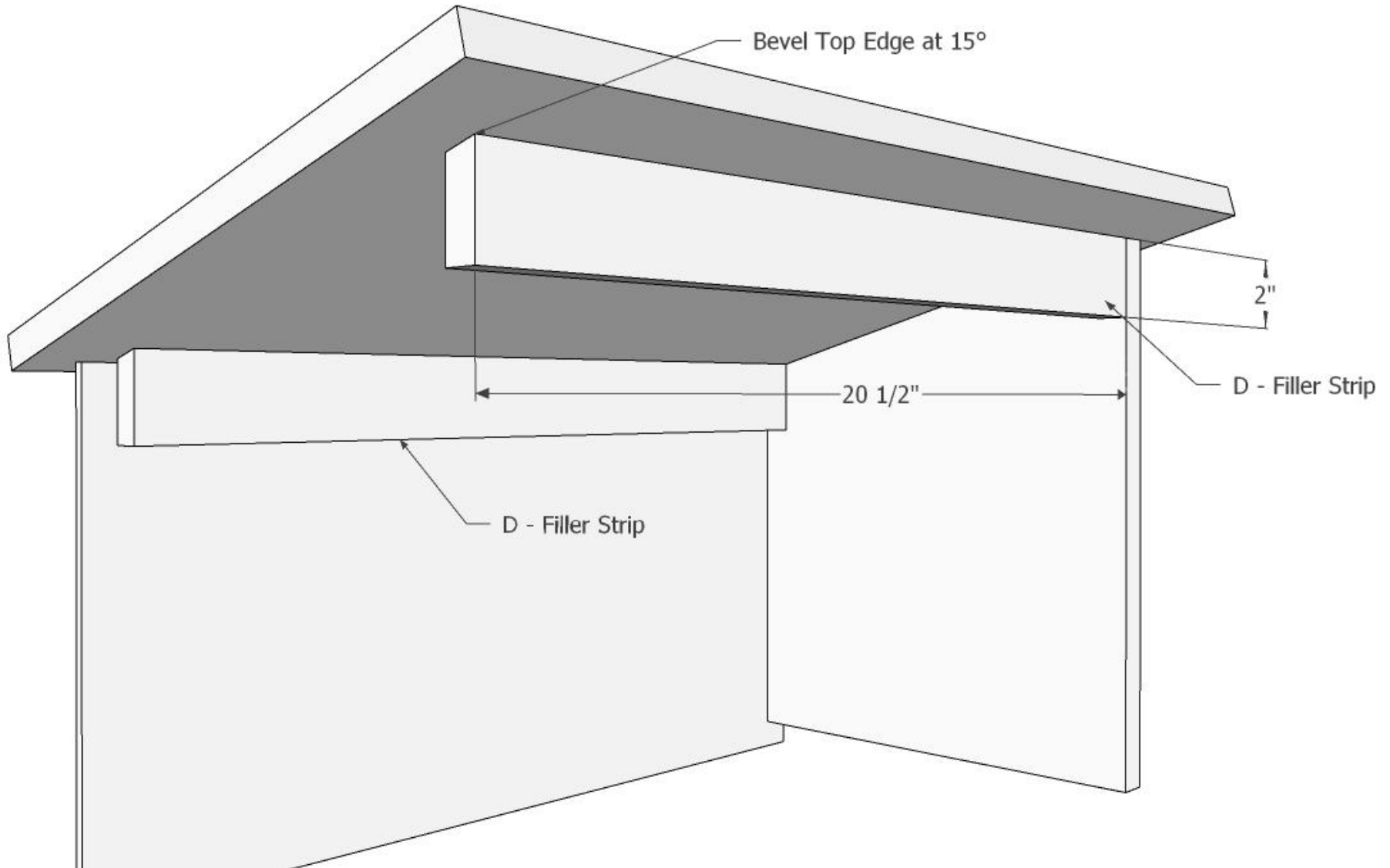
Bottom Detail



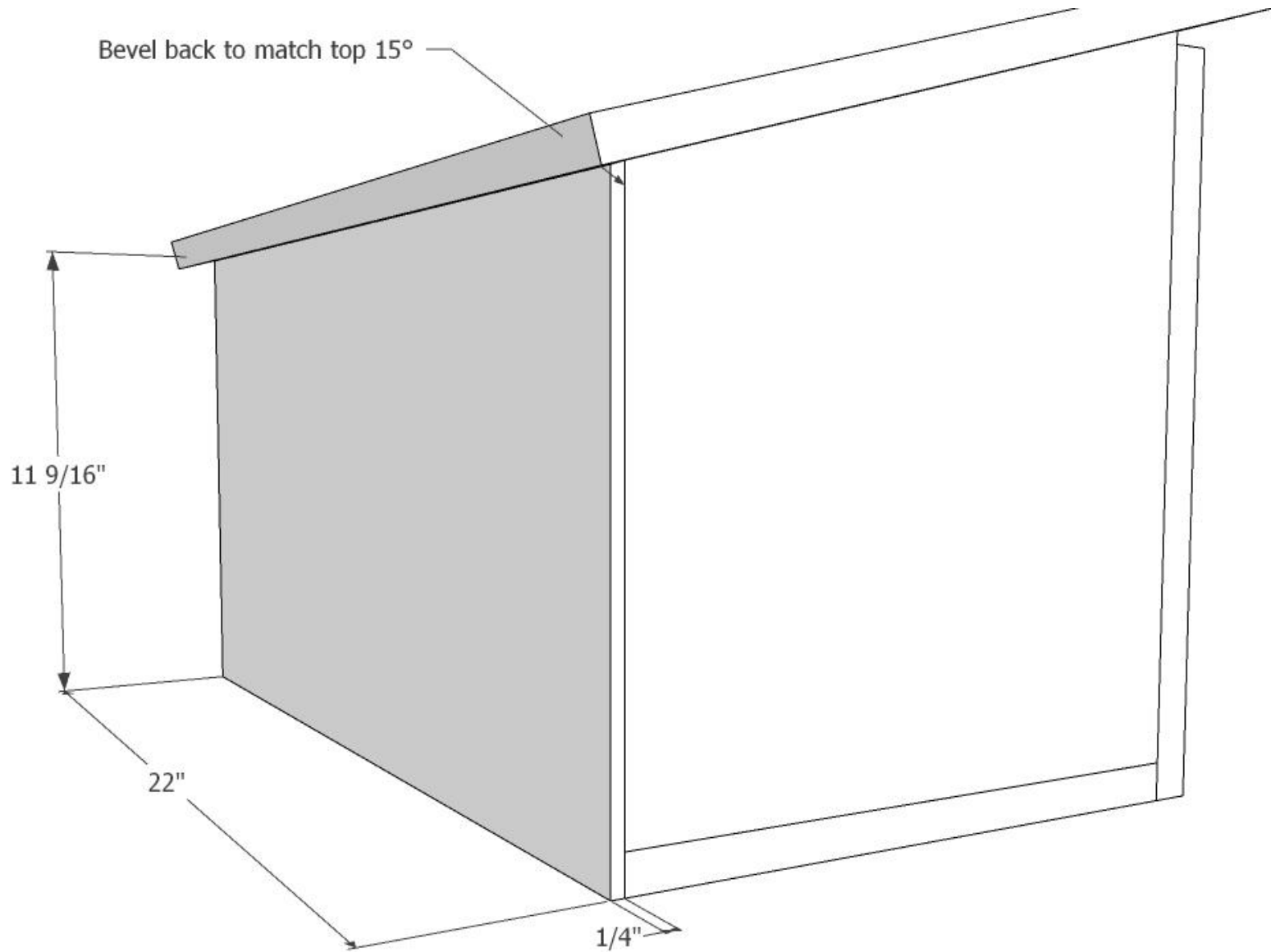
Side Detail



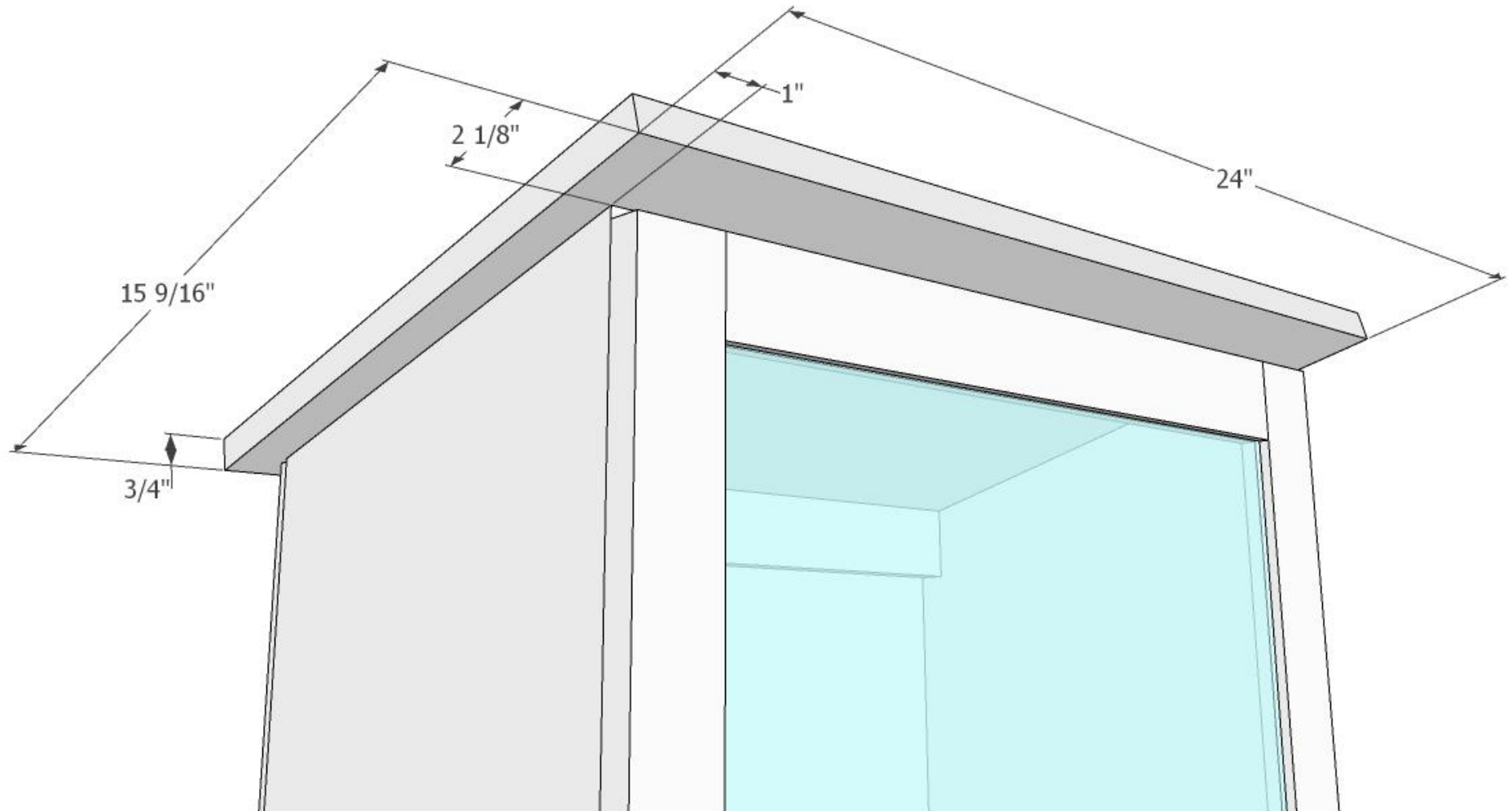
Filler Strip Detail



Back Detail



Top Detail



Door Assembly

