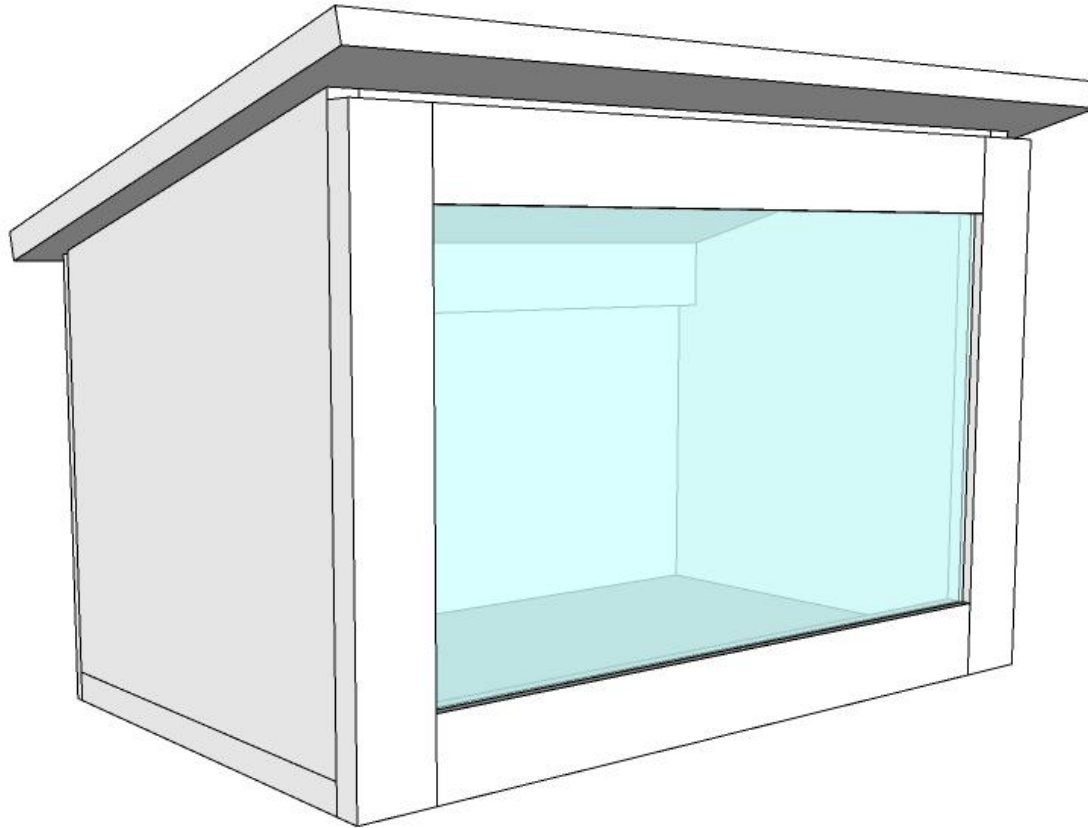


Little Library



Design: Marc Spagnuolo
Plans: Marc Spagnuolo & Brian Benham
Copyright © 2020, The Wood Whisperer, Inc. TheWoodWhisperer.com
Version 1



TWW[®]

Cut List

Part ID	Part Description	Material	QTY	Width	Length	Thickness
A	Bottom	19mm Plywood	1	305mm	559mm	19mm
B	Side	19mm Plywood	2	305mm	356mm	19mm
C	Back	6mm Plywood	1	293mm	559mm	6mm
D	Filler Strip	19mm Plywood	2	51mm	521mm	19mm
E	Roof	19mm Plywood	1	395mm	610mm	19mm
F	Door Stile	19mm Cedar	2	51mm	368mm	19mm
G	Door Rail	19mm Cedar	2	51mm	457mm	19mm

Plywood should be rated for exterior use.

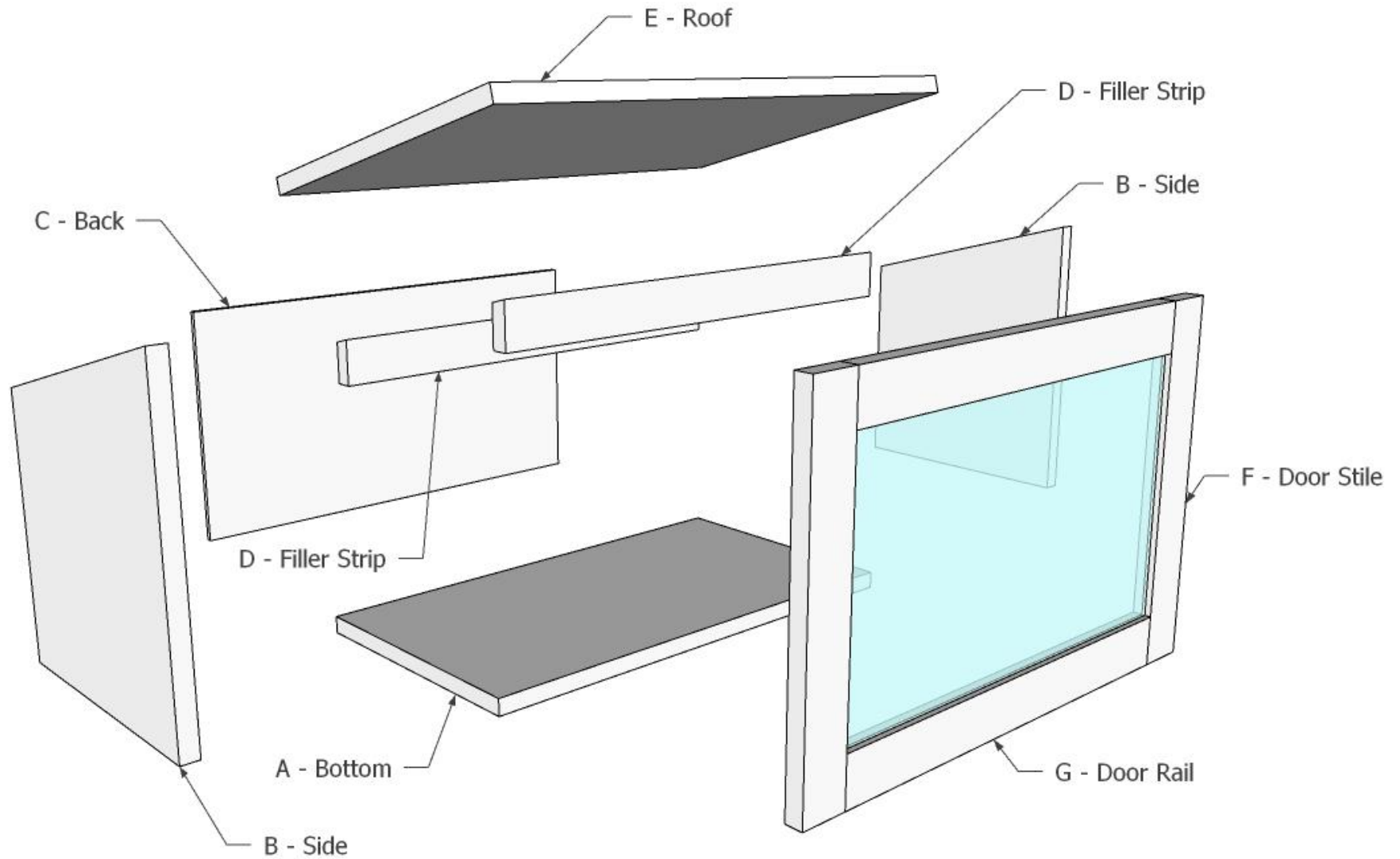
Solid wood for the door should also be an outdoor-friendly species such as cedar or cypress.

IMPORTANT! These plans were converted from imperial measurements, and rounded to the nearest mm. It is recommended you use relative dimensioning to ensure a good fit.

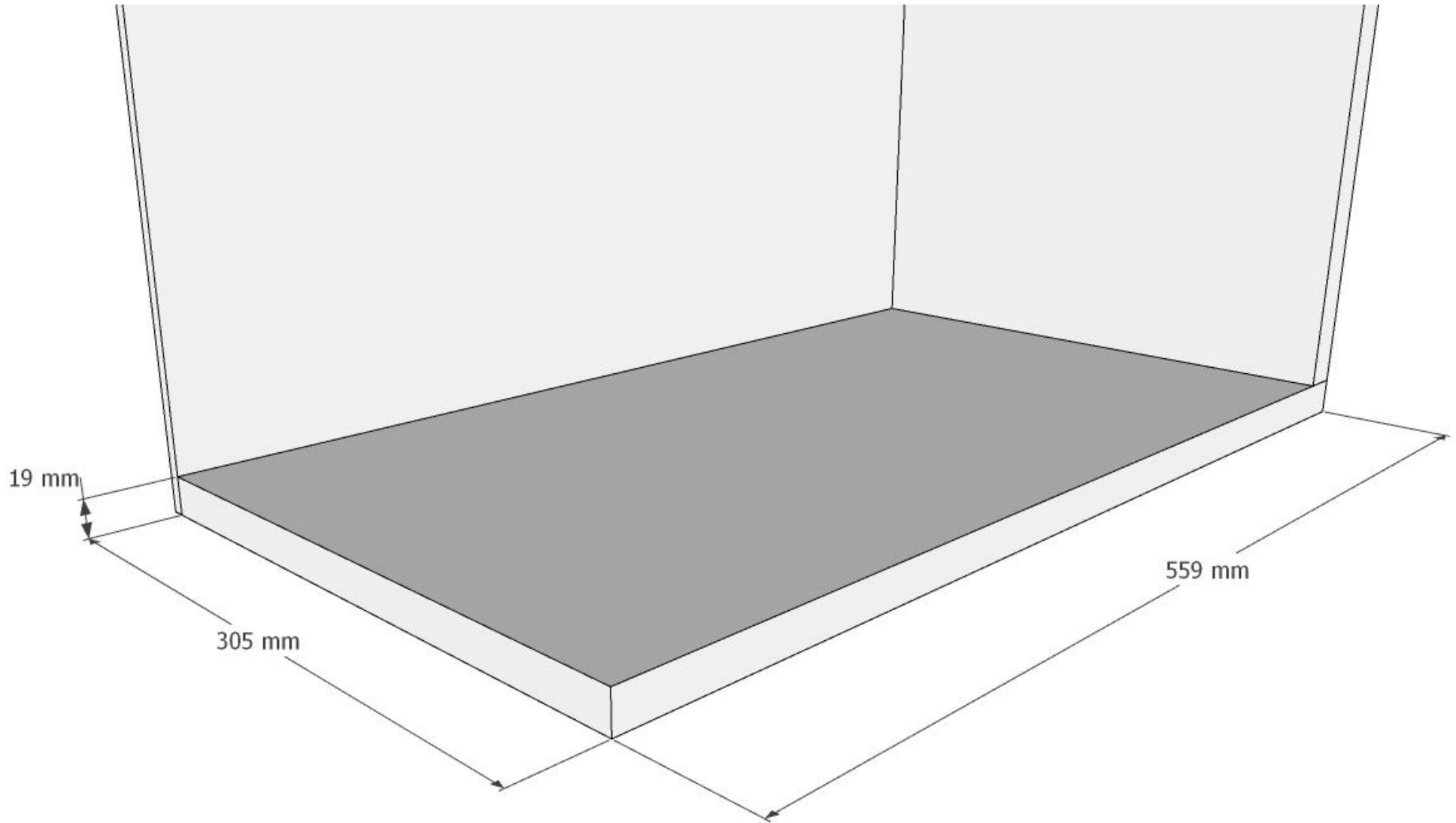
Materials List

Description	Type	Qty
19mm Plywood	BCX	1 Sheet
6mm Plywood	BCX	1/4 Sheet
1"x6"x8' Poplar board	n/a	1 ea
Hinge	n/a	1 pair
Glass, Single strength 292mm x 483mm	na	1 ea

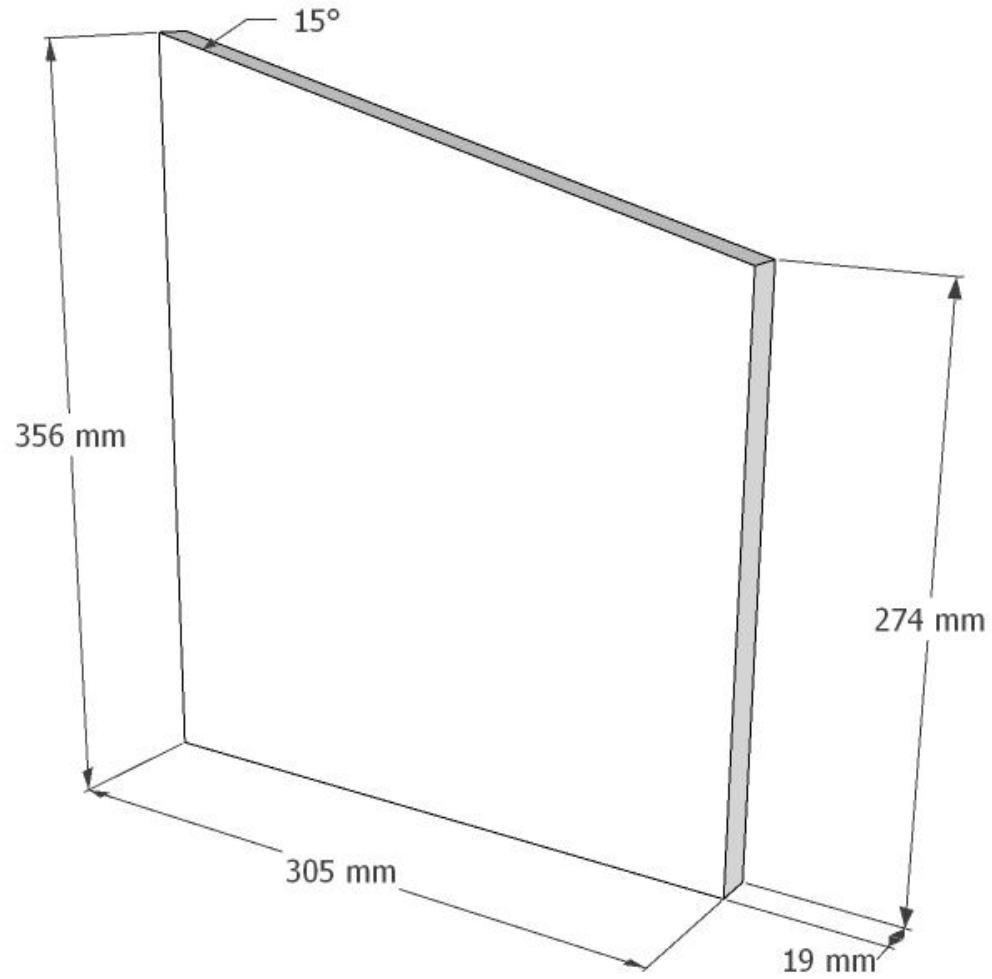
Exploded View



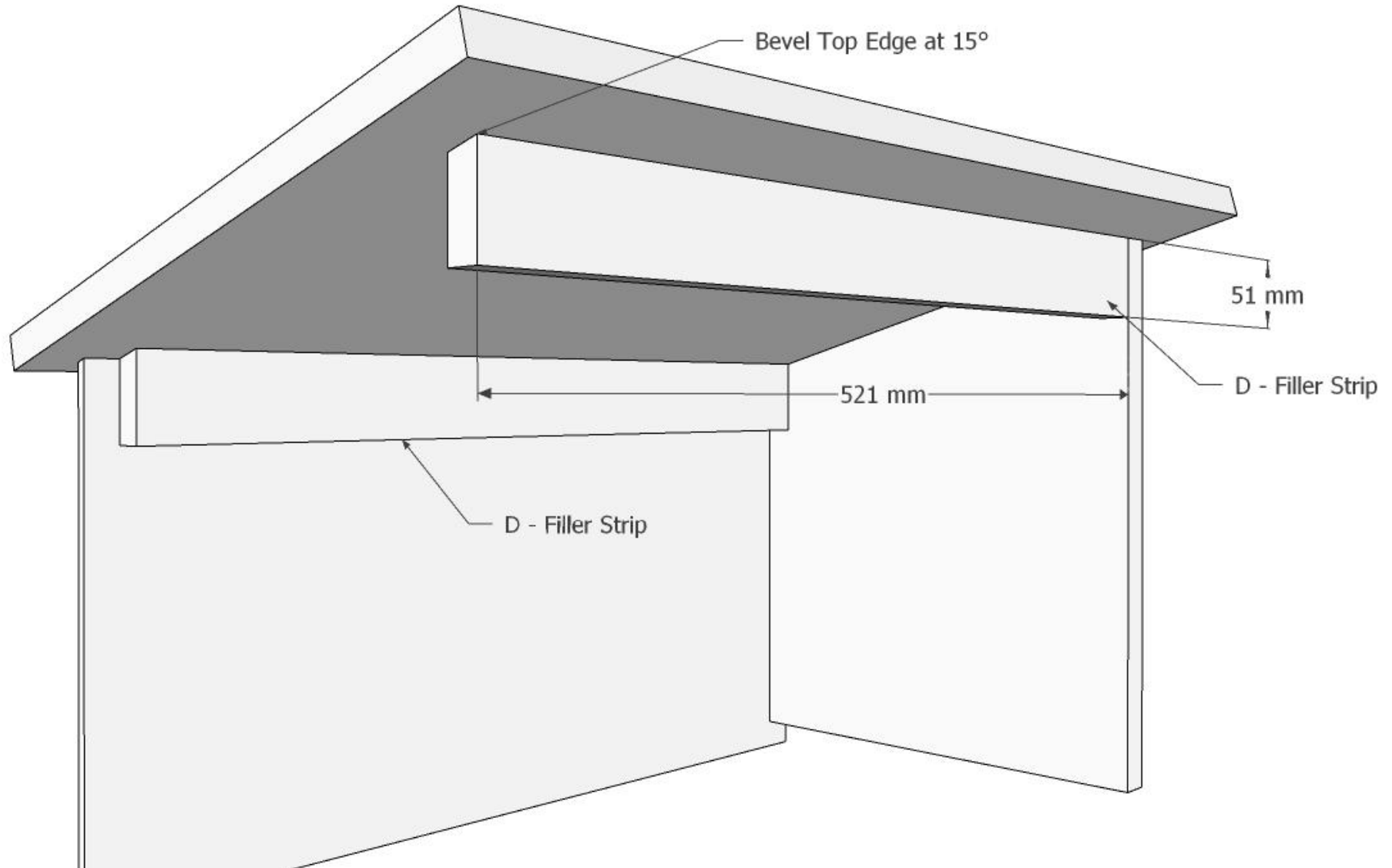
Bottom Detail



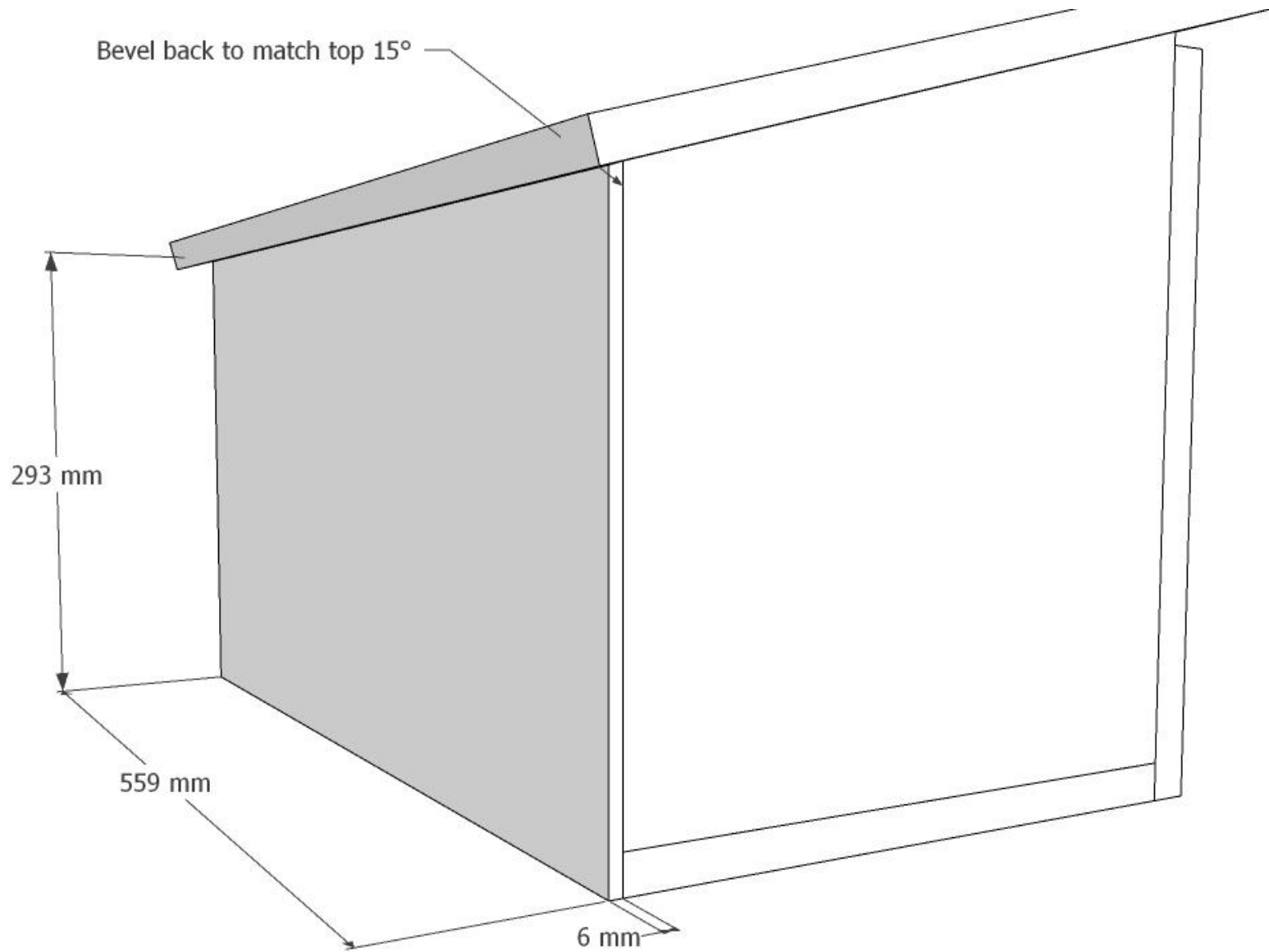
Side Detail



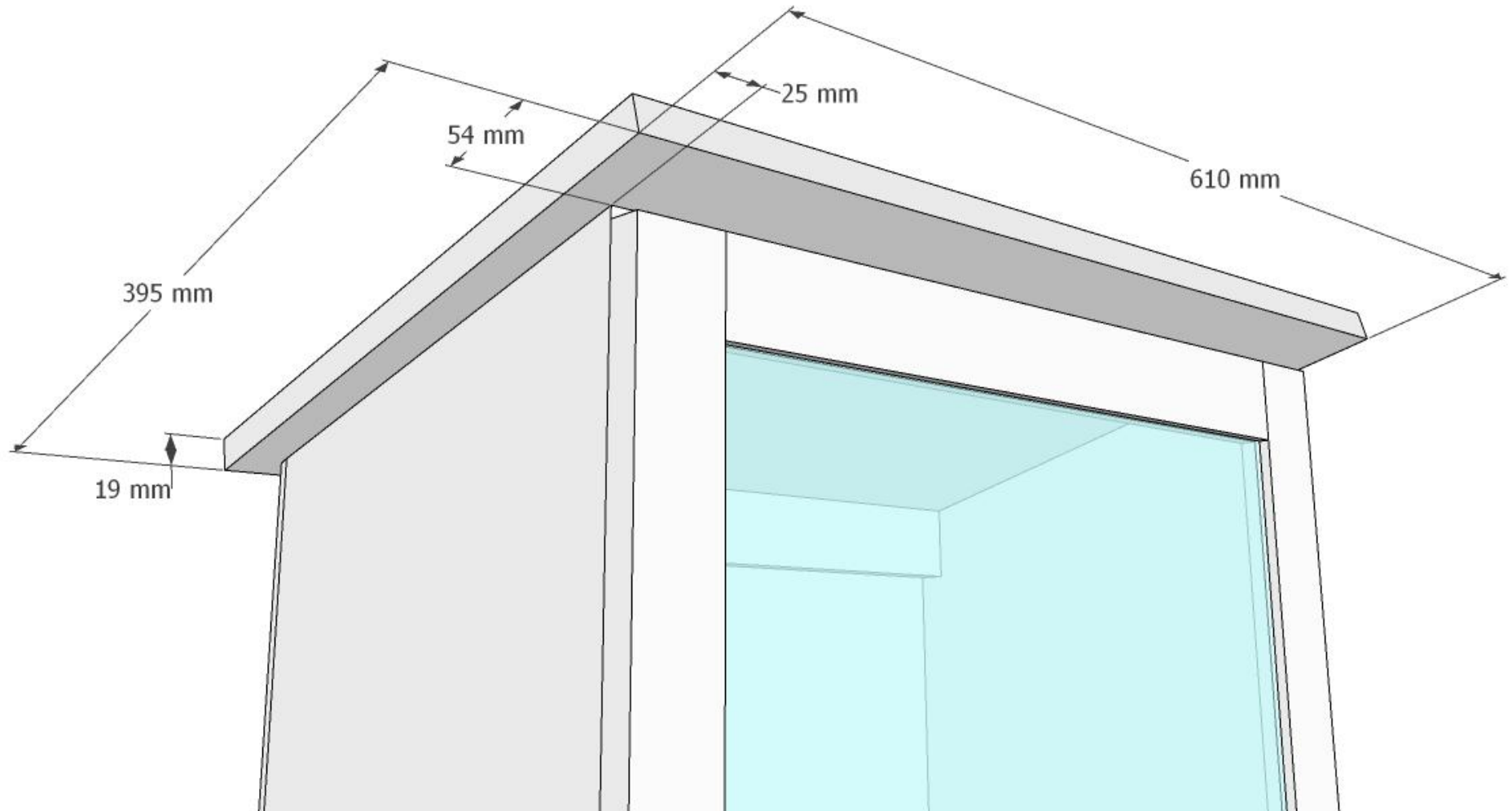
Filler Strip Detail



Back Detail



Top Detail



Door Assembly

