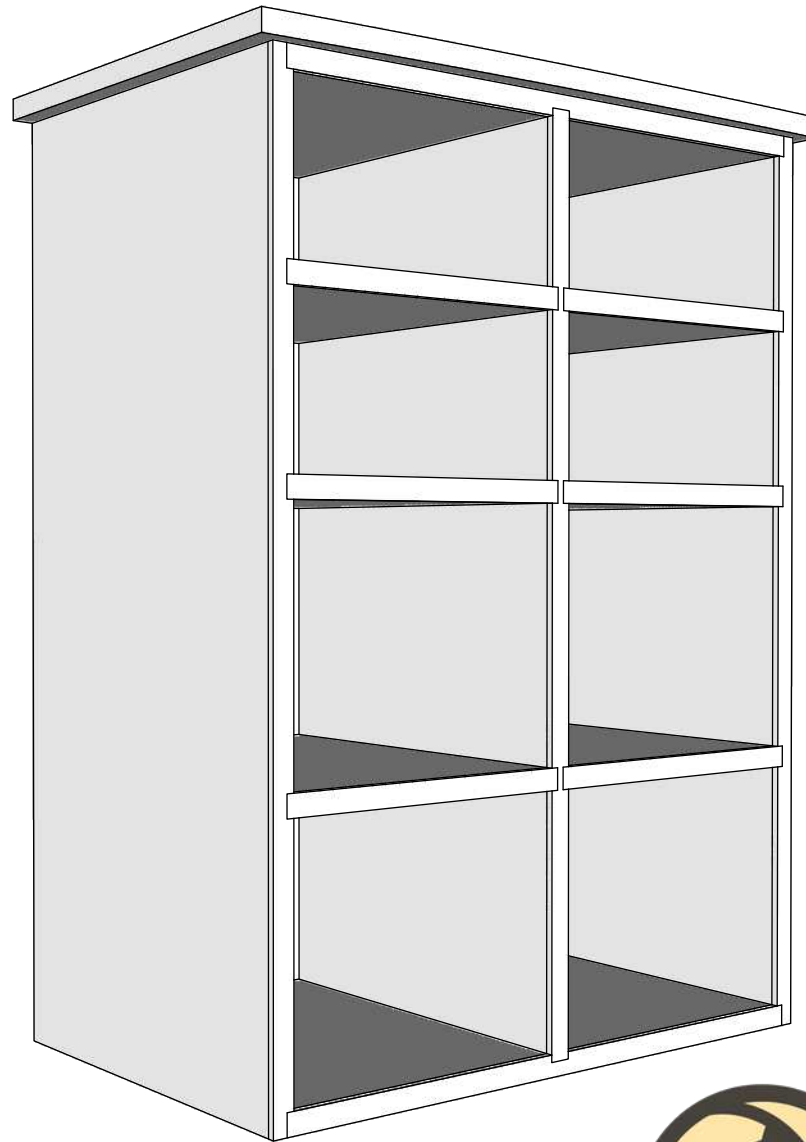


Craft Cart



Design: Marc Spagnuolo
Plans: Marc Spagnuolo & Brian Benham
Version #2

Copyright © 2022 • The Wood Whisperer, Inc. • TheWoodWhisperer.com



TWW[®]

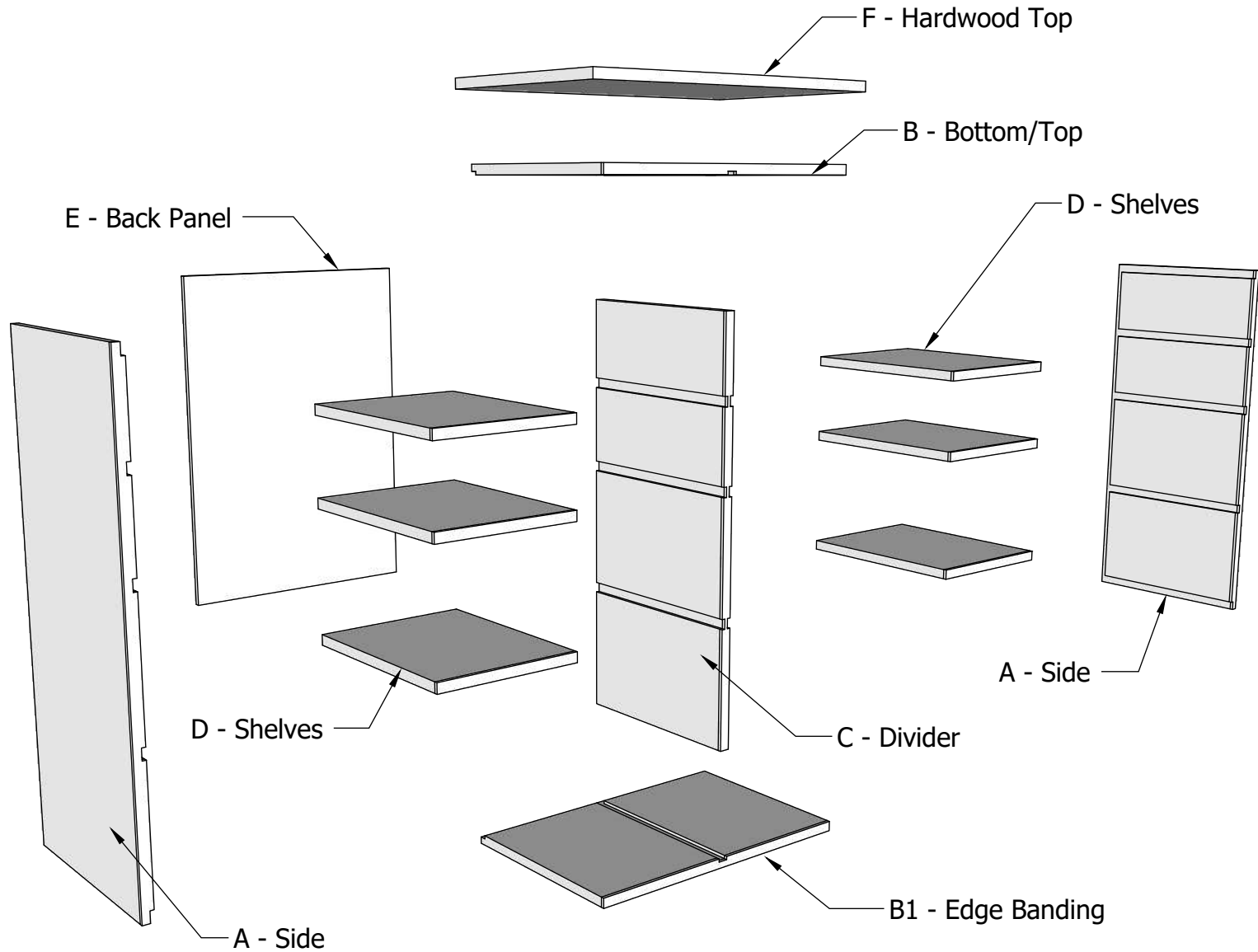
Cut List

Designation	Quantity	Material	Width	Length	Thickness
A - Side	2	3/4" Plywood	14 1/2"	32 1/2"	3/4"
A1 - Edge Banding	2	4/4 Hardwood	3/4"	32 1/2"	1/4"
B - Bottom/Top	2	3/4" Plywood	14 1/2"	22 1/4"	3/4"
B1 - Edge Banding	2	4/4 Hardwood	3/4"	22 1/4"	1/4"
C - Divider	1	3/4" Plywood	14"	31 1/2"	3/4"
C1 - Edge Banding	1	4/4 Hardwood	3/4"	31 1/2"	1/4"
D - Shelves	6	3/4" Plywood	11"	14"	3/4"
D1 - Edge Banding	6	4/4 Hardwood	3/4"	11"	1/4"
E - Back Panel	1	1/2" Plywood	22 1/4"	31 1/2"	1/2"
F - Hardwood Top	1	4/4 Hardwood	15 1/2"	24 3/4"	3/4"

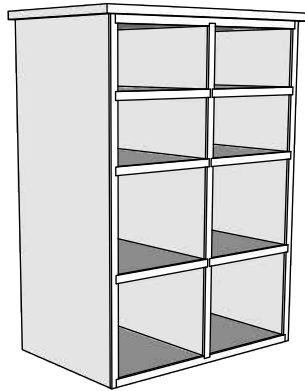
Materials List

- 1 Sheet - 3/4" Plywood
- 1 Sheet - 1/2" Plywood
- 5 BF - Hardwood (20% waste added)
- 4 EA - Casters

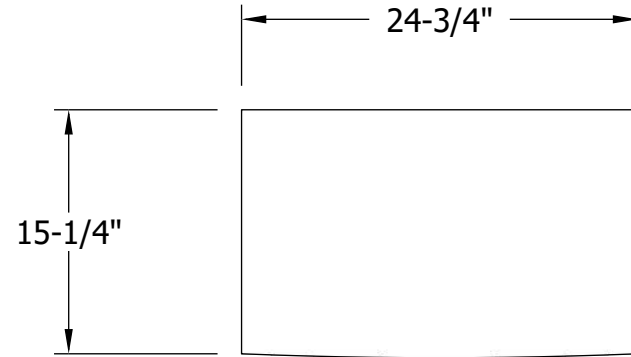
Exploded View



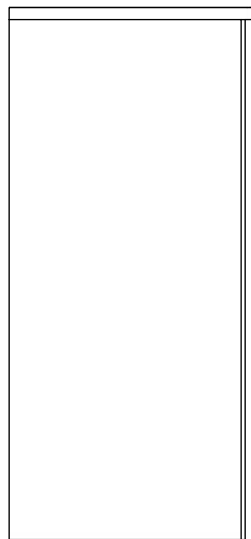
Elevations



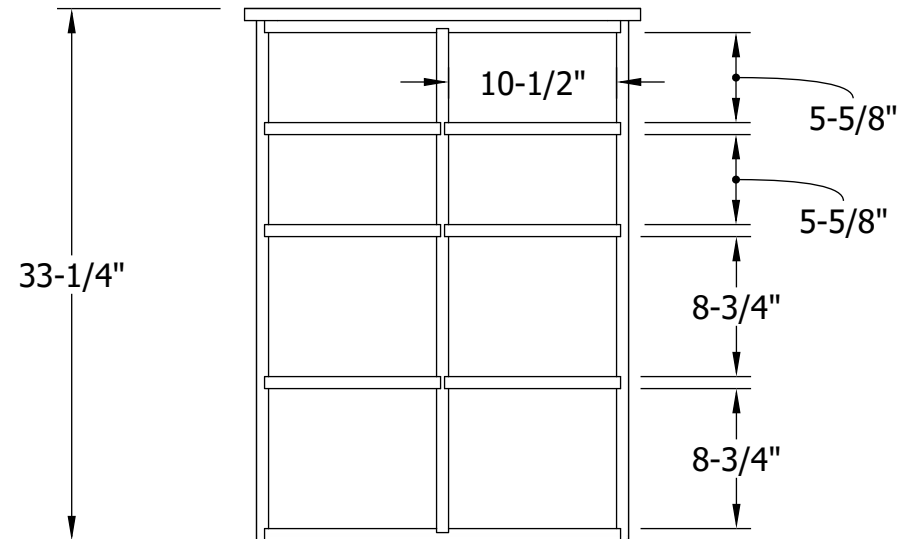
Perspective View



Top Down View

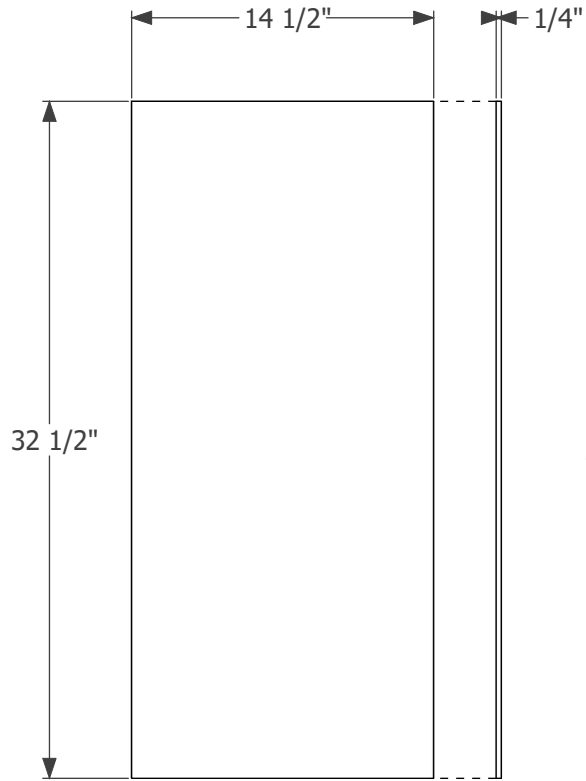


Side View

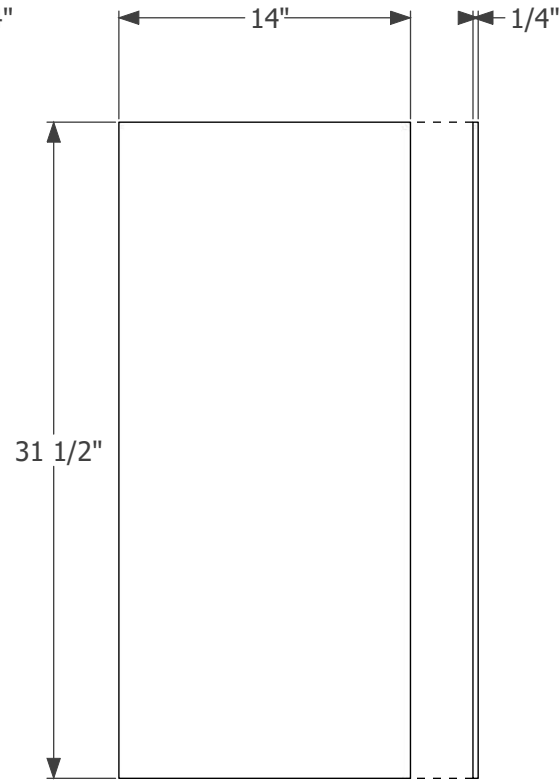


Front View

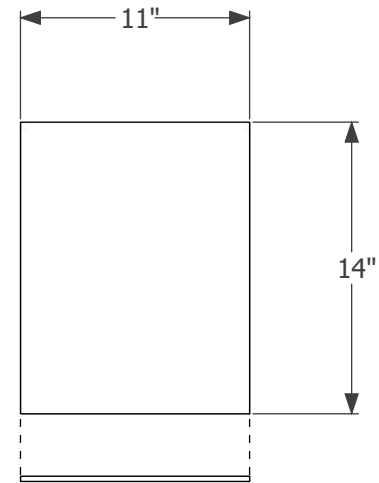
Edge Banding



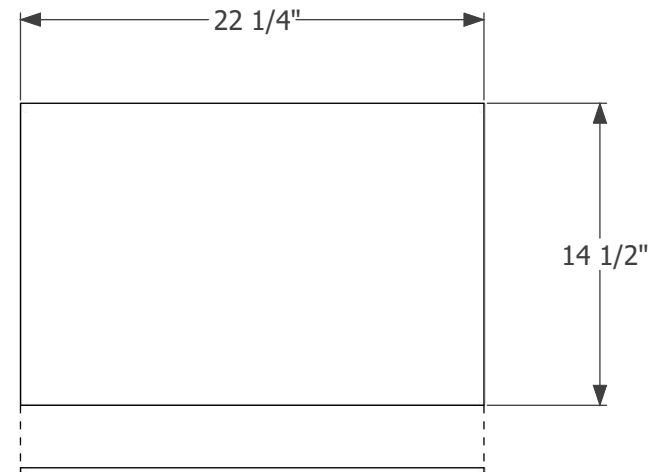
A - Side
Make 2



C - Divider
Make 1



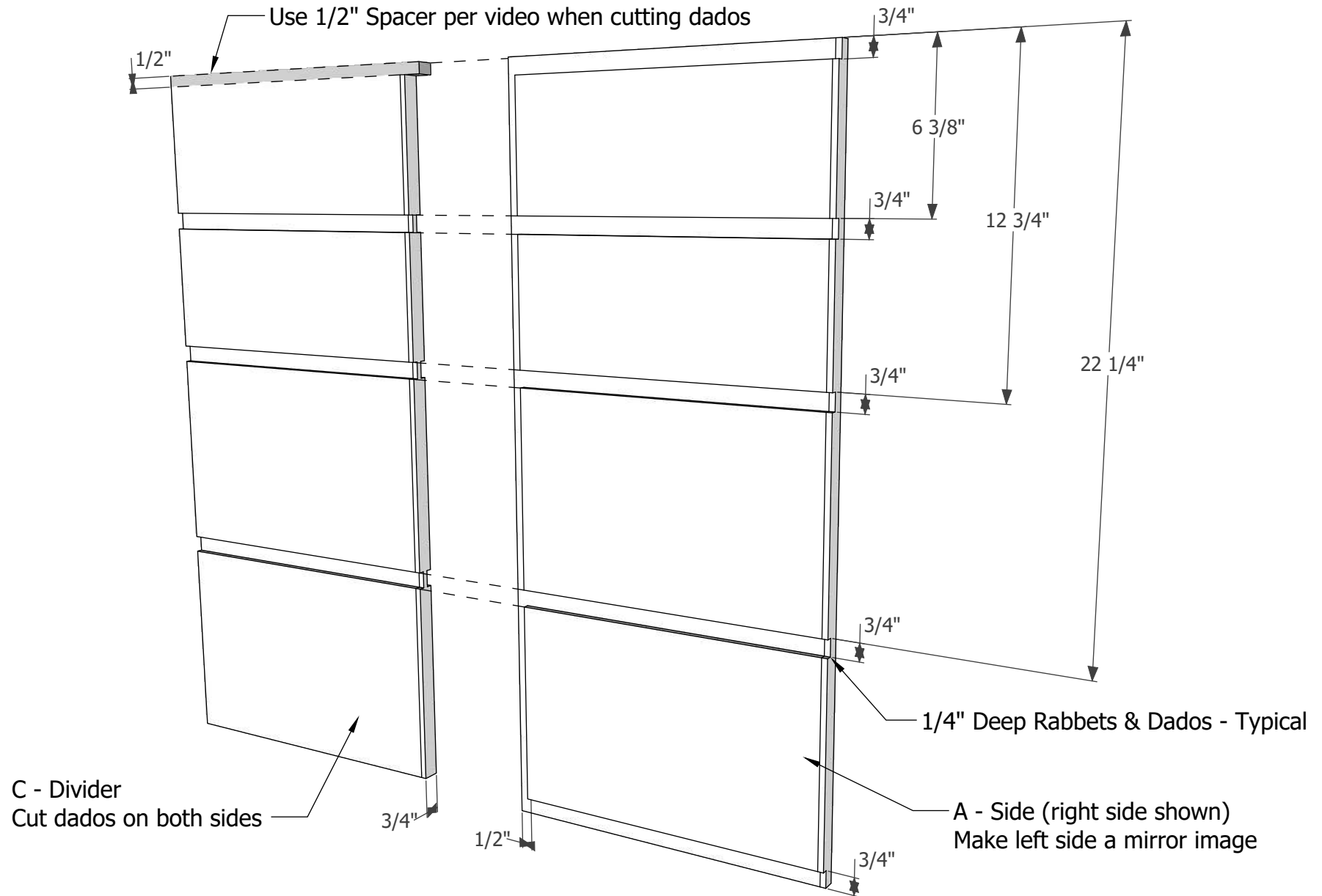
D - Shelves
Make 6



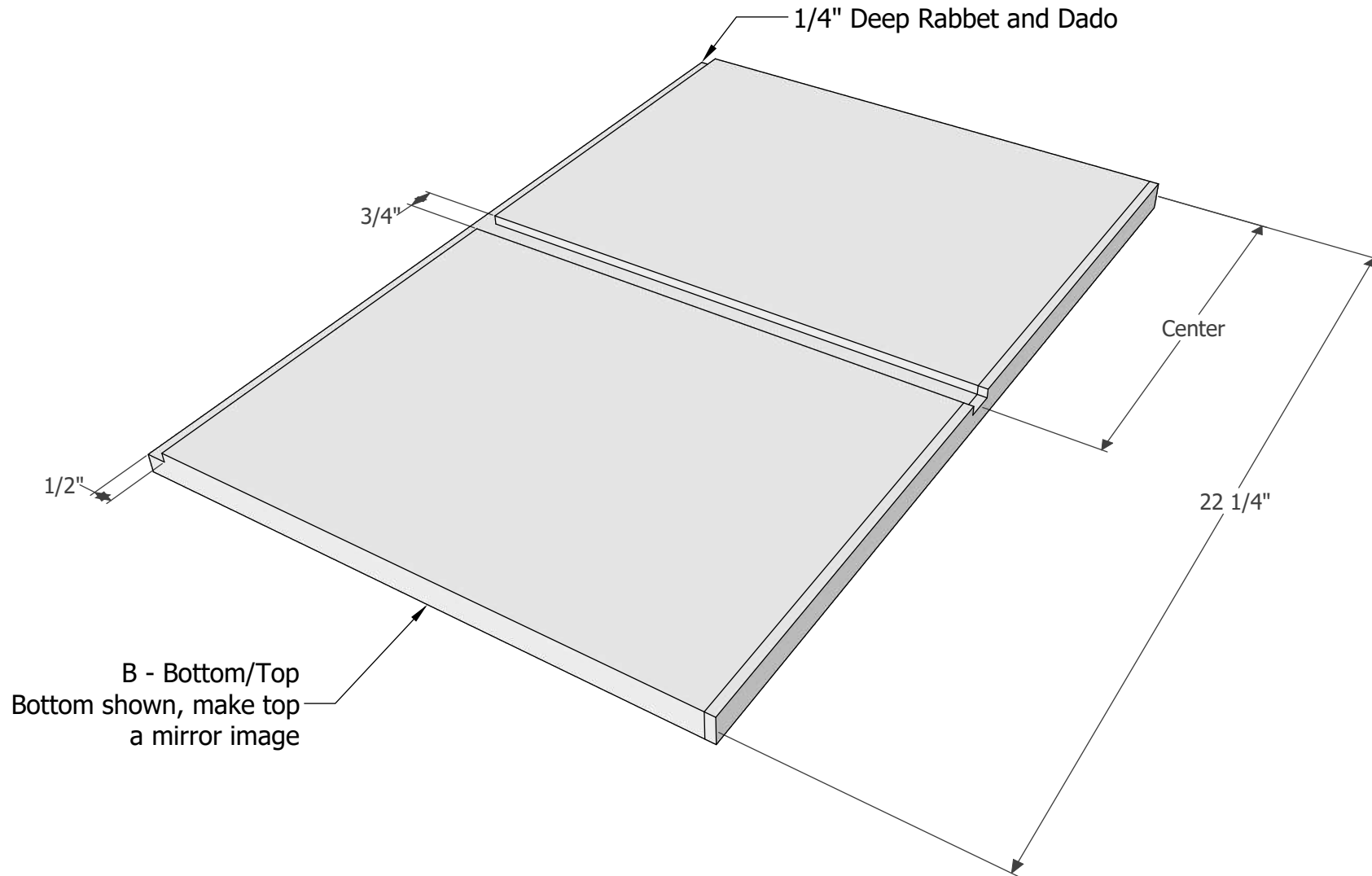
B - Bottom-Top
Make 2

Note: Apply 1/4" x 3/4" edge banding to 3/4" thick plywood parts before cutting dados

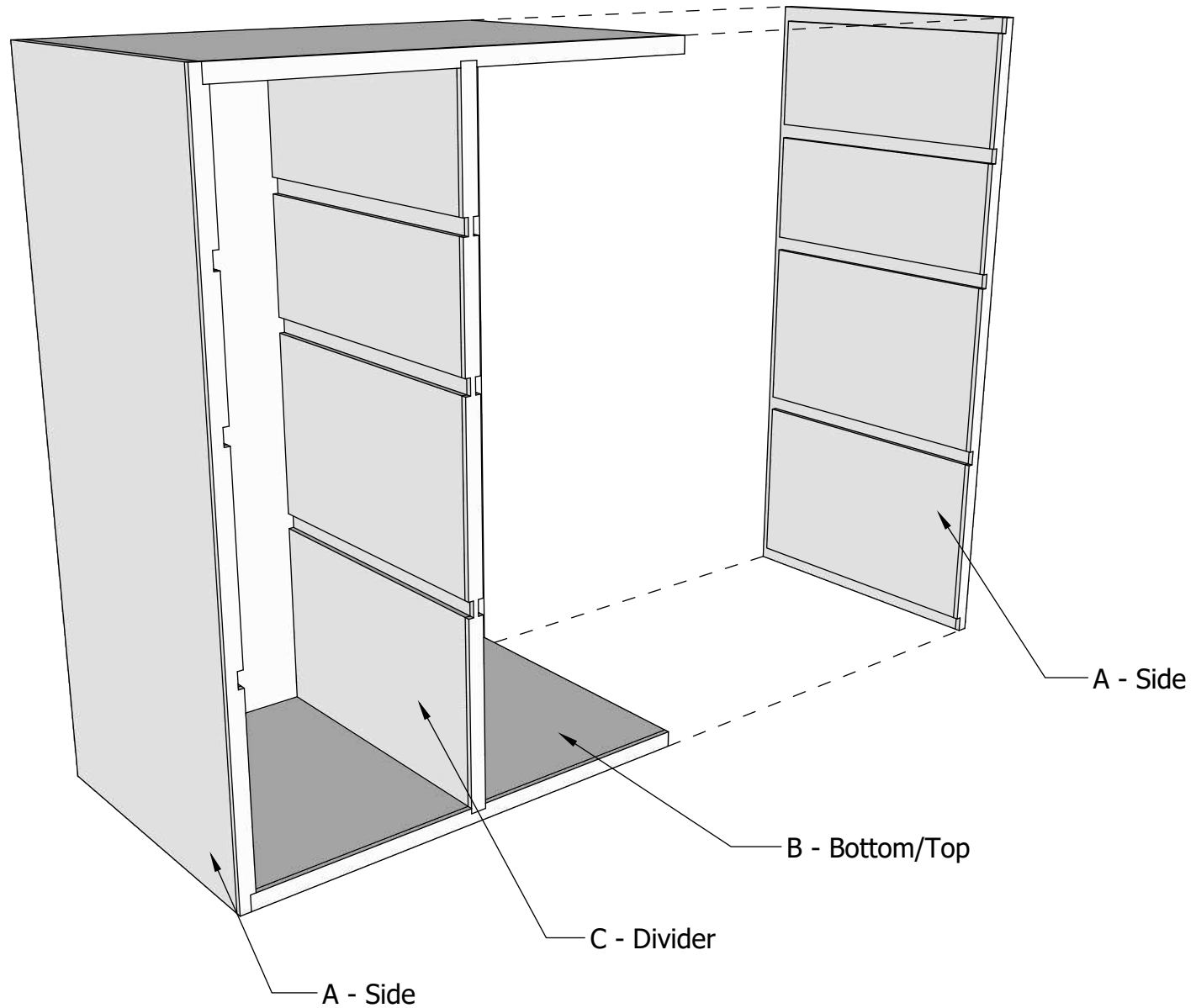
Dado Layout - Sides and Divider



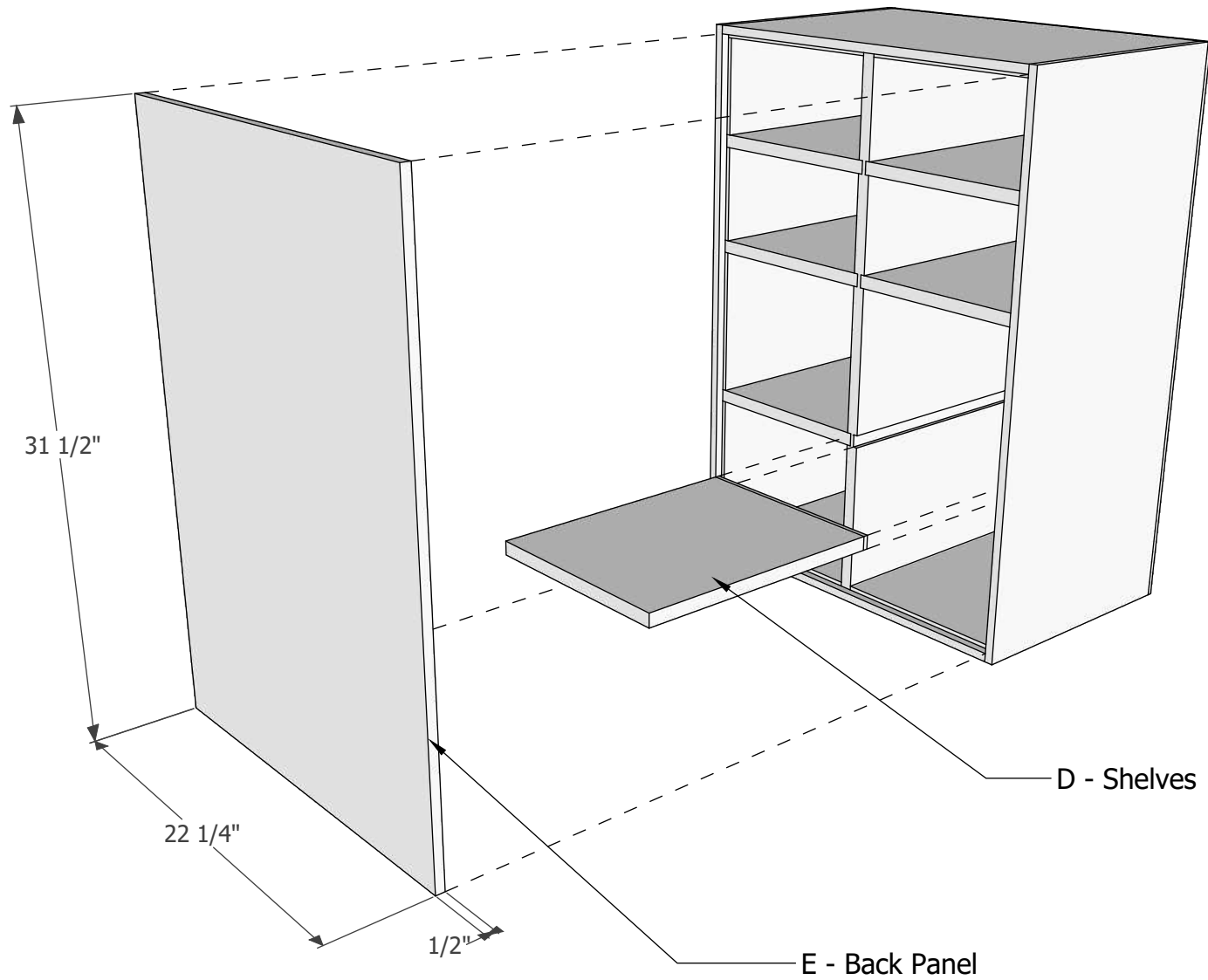
Dado Layout - Bottom/Top



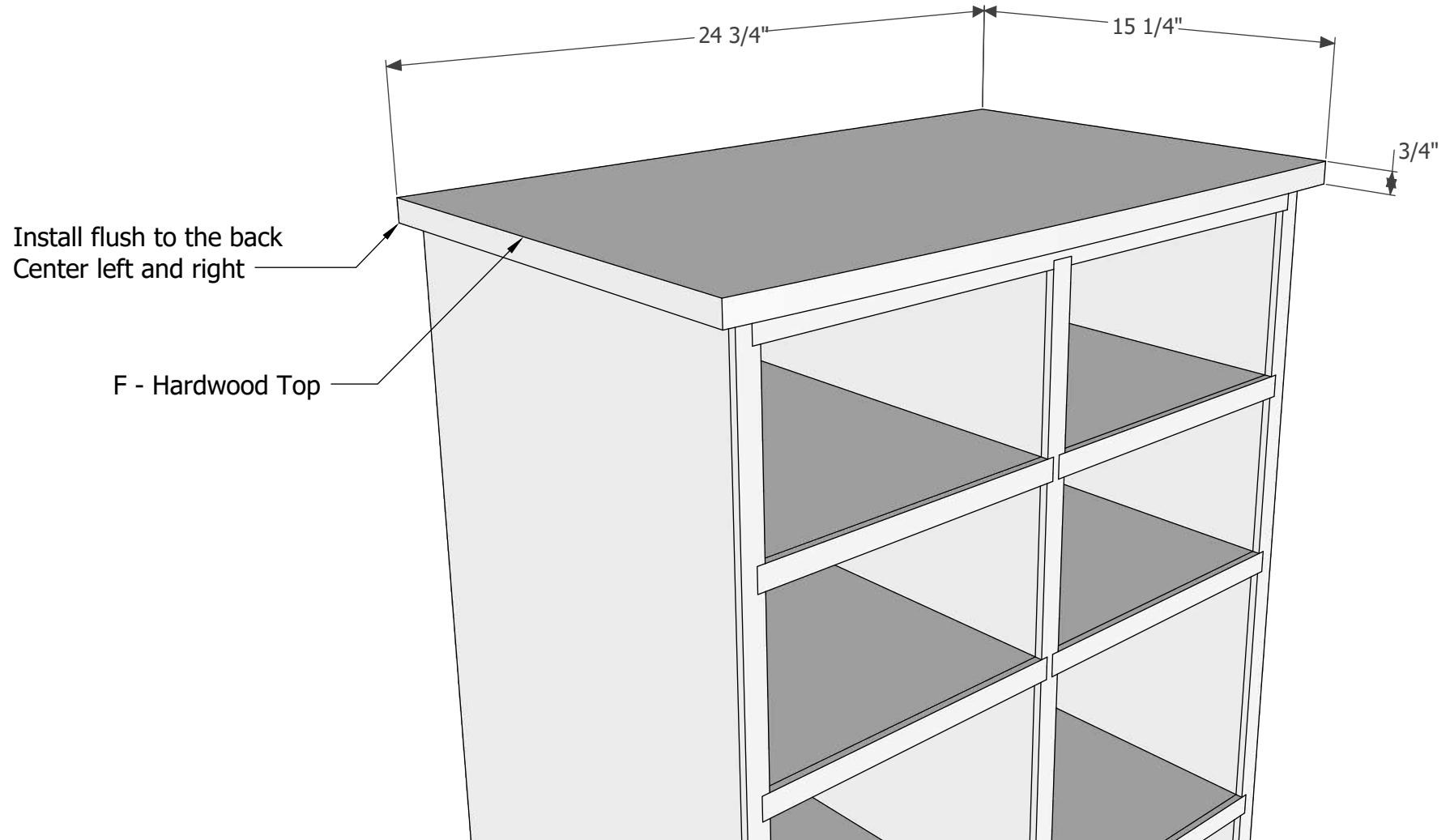
Case Assembly



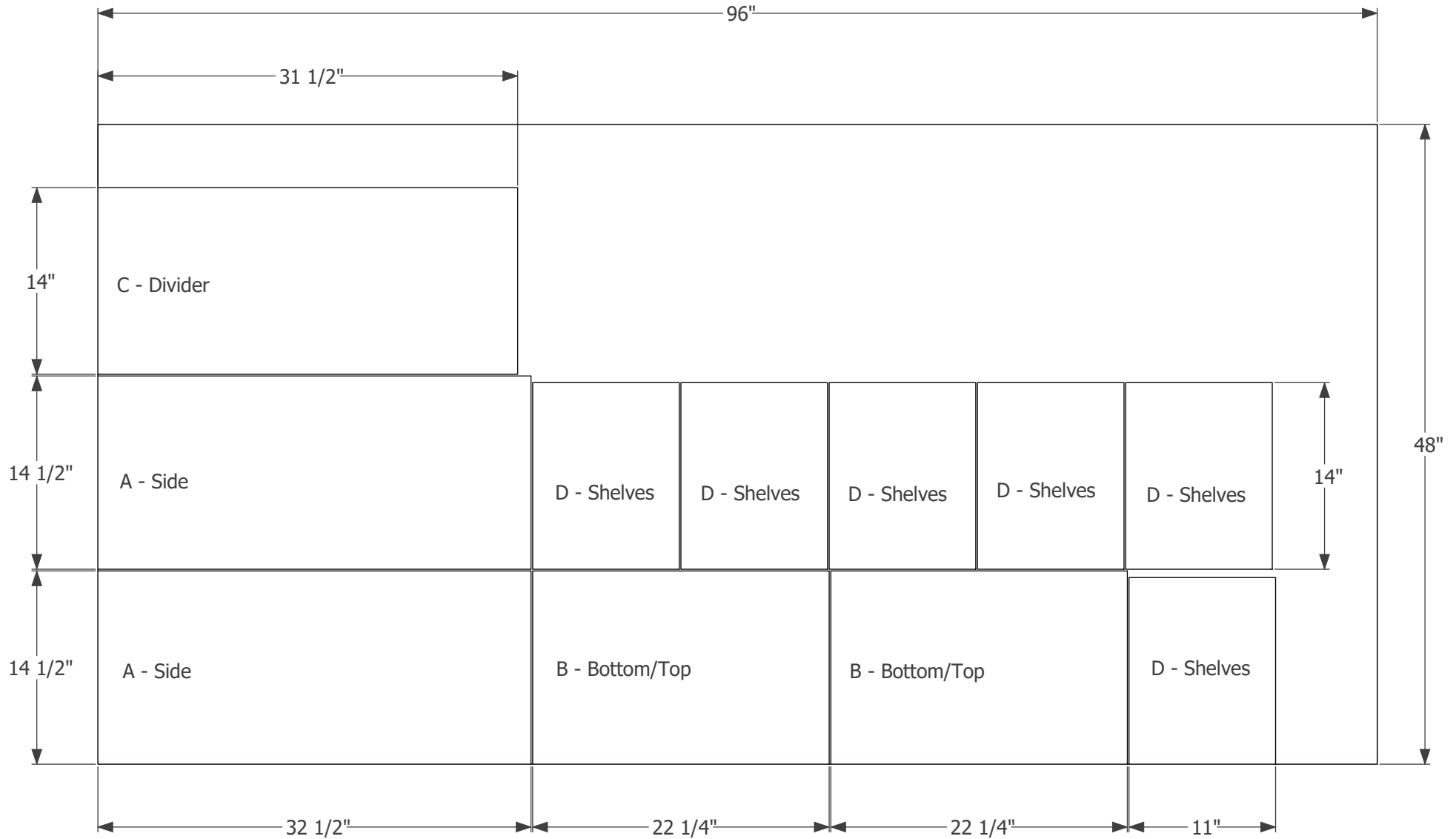
Divider and Back Assembly



Top Detail



3/4" Plywood Cut Diagram



Change Log

Version 2

- The Metric version had the 3/4" plywood listed as 6mm, corrected to list it as 19mm on cut list