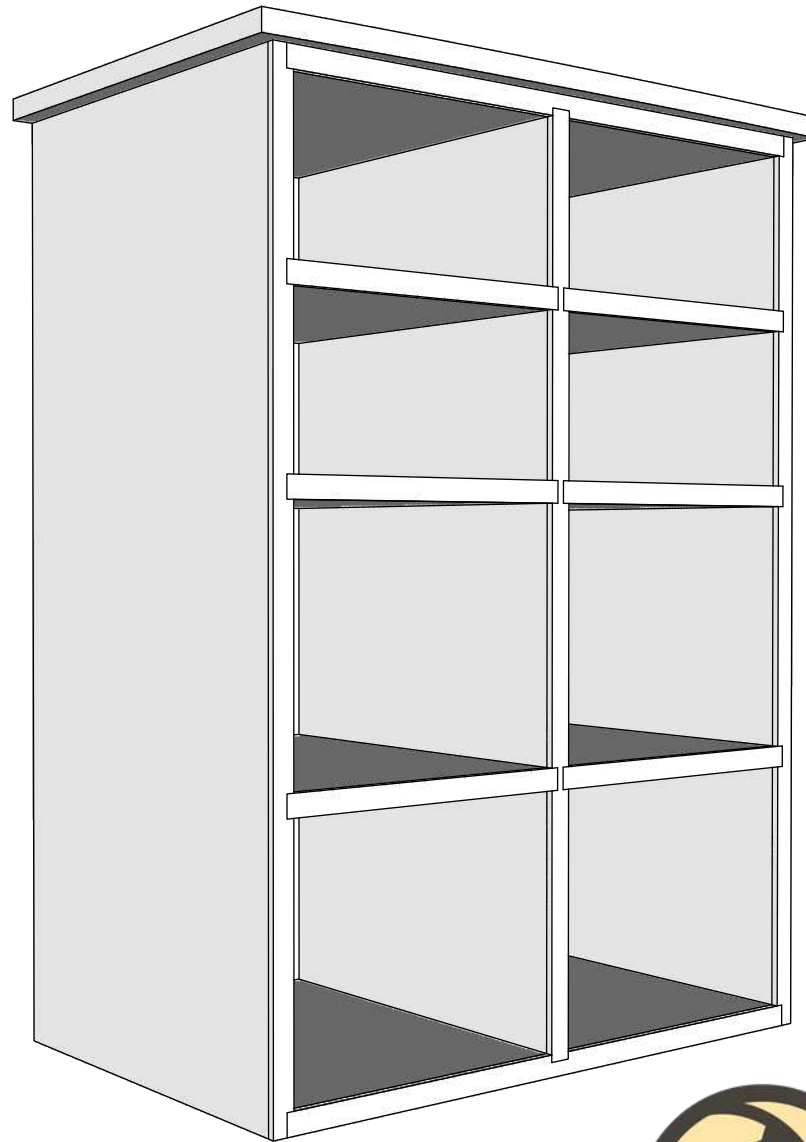


Craft Cart



Design: Marc Spagnuolo
Plans: Marc Spagnuolo & Brian Benham
Version #2

Copyright © 2022 • The Wood Whisperer, Inc. • TheWoodWhisperer.com



TWW[®]

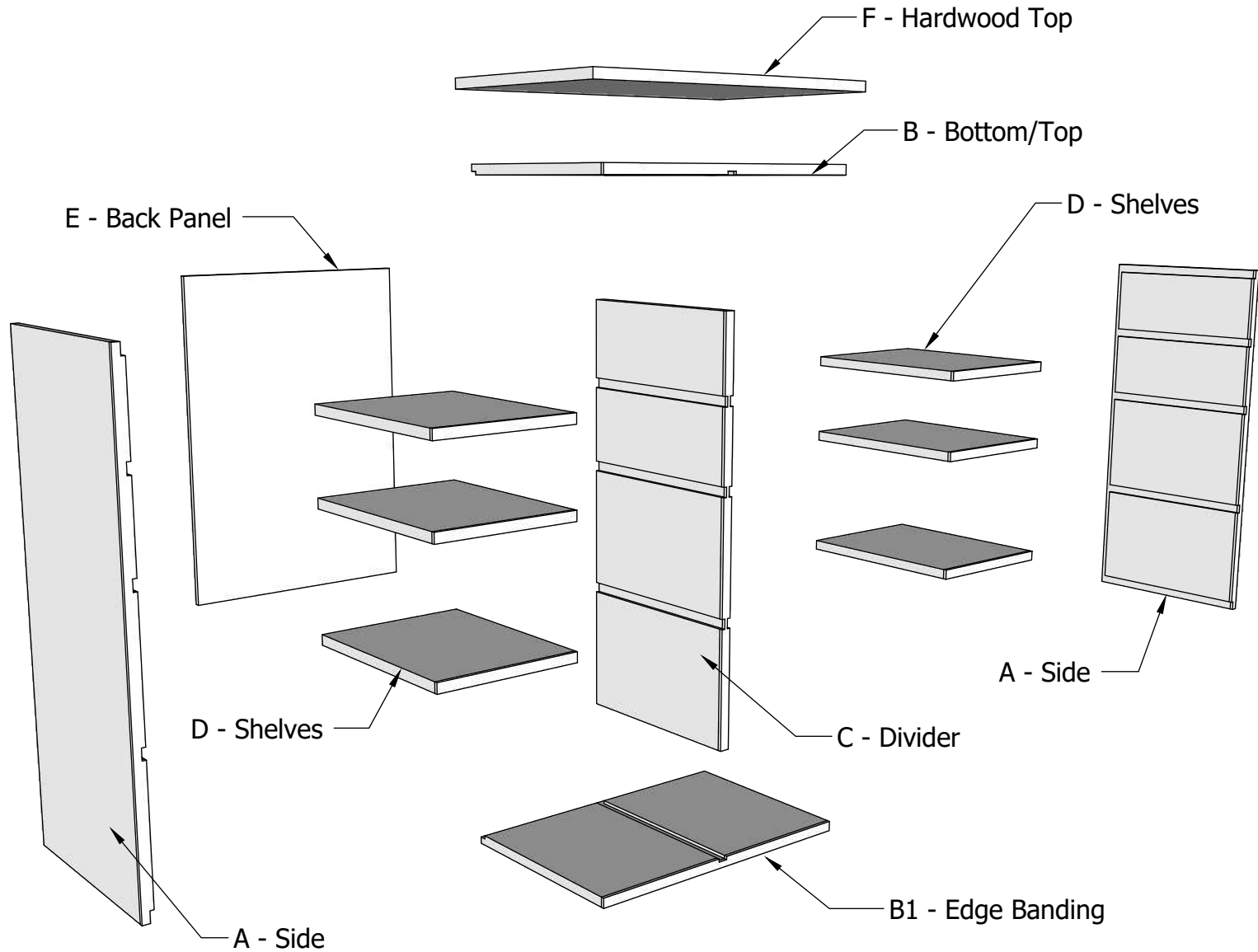
Cut List

Designation	Quantity	Material	Width	Length	Thickness
A - Side	2	19mm Plywood	368 mm	826 mm	19 mm
A1 - Edge Banding	2	4/4 Hardwood	19 mm	826 mm	6 mm
B - Bottom/Top	2	19mm Plywood	368 mm	565 mm	19 mm
B1 - Edge Banding	2	4/4 Hardwood	19 mm	565 mm	6 mm
C - Divider	1	19mm Plywood	356 mm	800 mm	19 mm
C1 - Edge Banding	1	4/4 Hardwood	19 mm	800 mm	6 mm
D - Shelves	6	19mm Plywood	279 mm	356 mm	19 mm
D1 - Edge Banding	6	4/4 Hardwood	19 mm	279 mm	6 mm
E - Back Panel	1	13mm Plywood	565 mm	800 mm	13 mm
F - Hardwood Top	1	4/4 Hardwood	394 mm	629 mm	19 mm

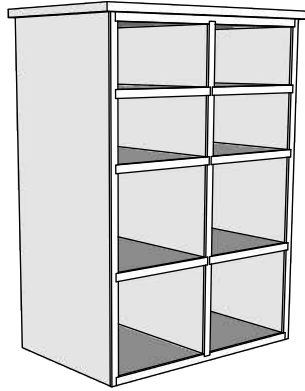
Materials List

- 1 Sheet - 19mm Plywood
- 1 Sheet - 13mm Plywood
- 5 BF - Hardwood (20% waste added)
- 4 EA - Casters

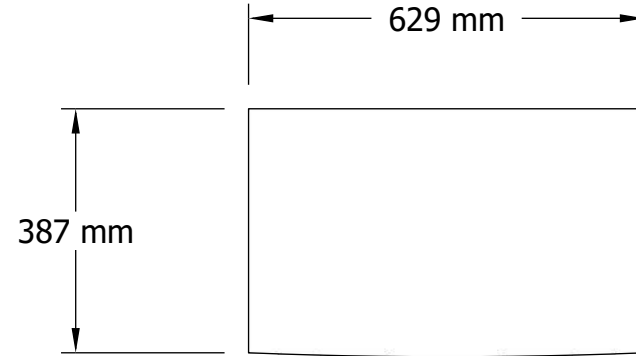
Exploded View



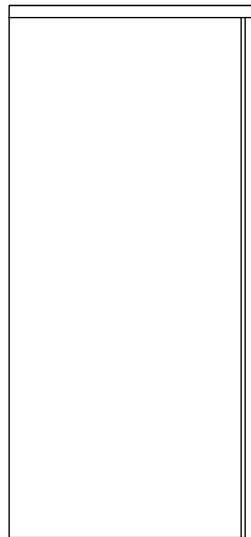
Elevations



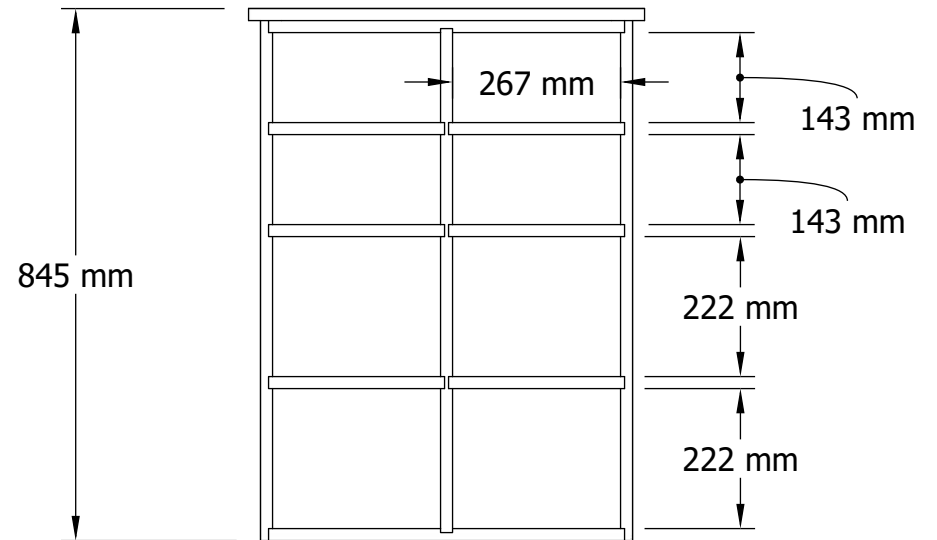
Perspective View



Top Down View

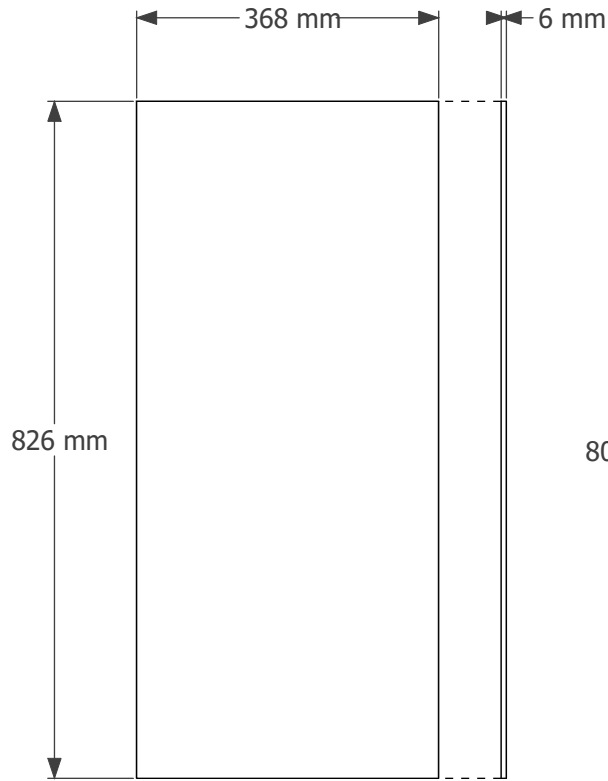


Side View

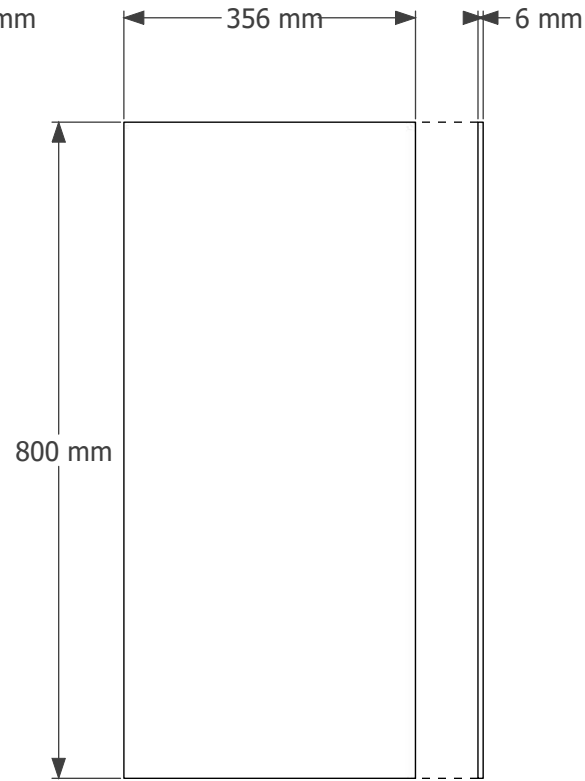


Front View

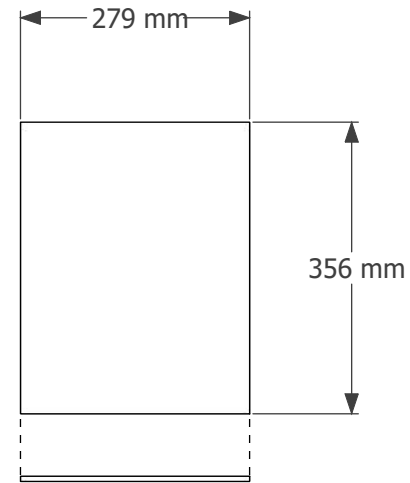
Edge Banding



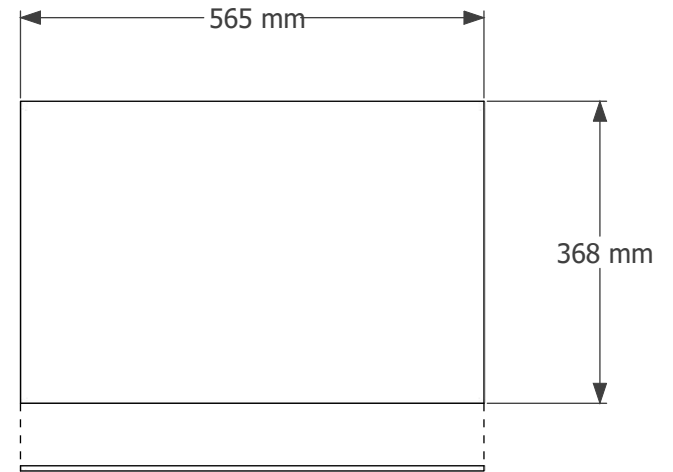
A - Side
Make 2



C - Divider
Make 1



D - Shelves
Make 6



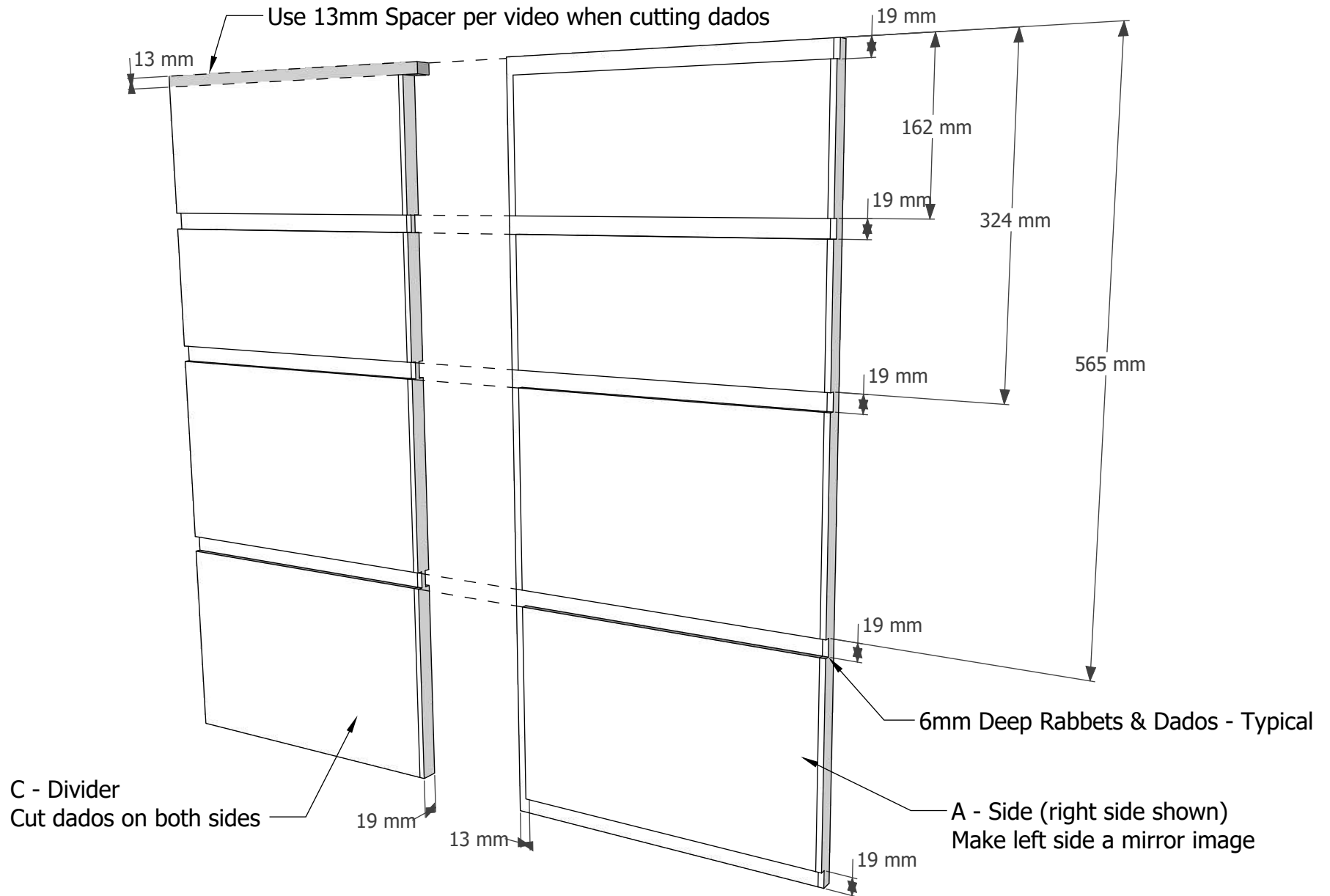
B - Bottom-Top
Make 2

Note: Apply 6mm x 19mm edge banding to 19mm thick plywood parts before cutting dados

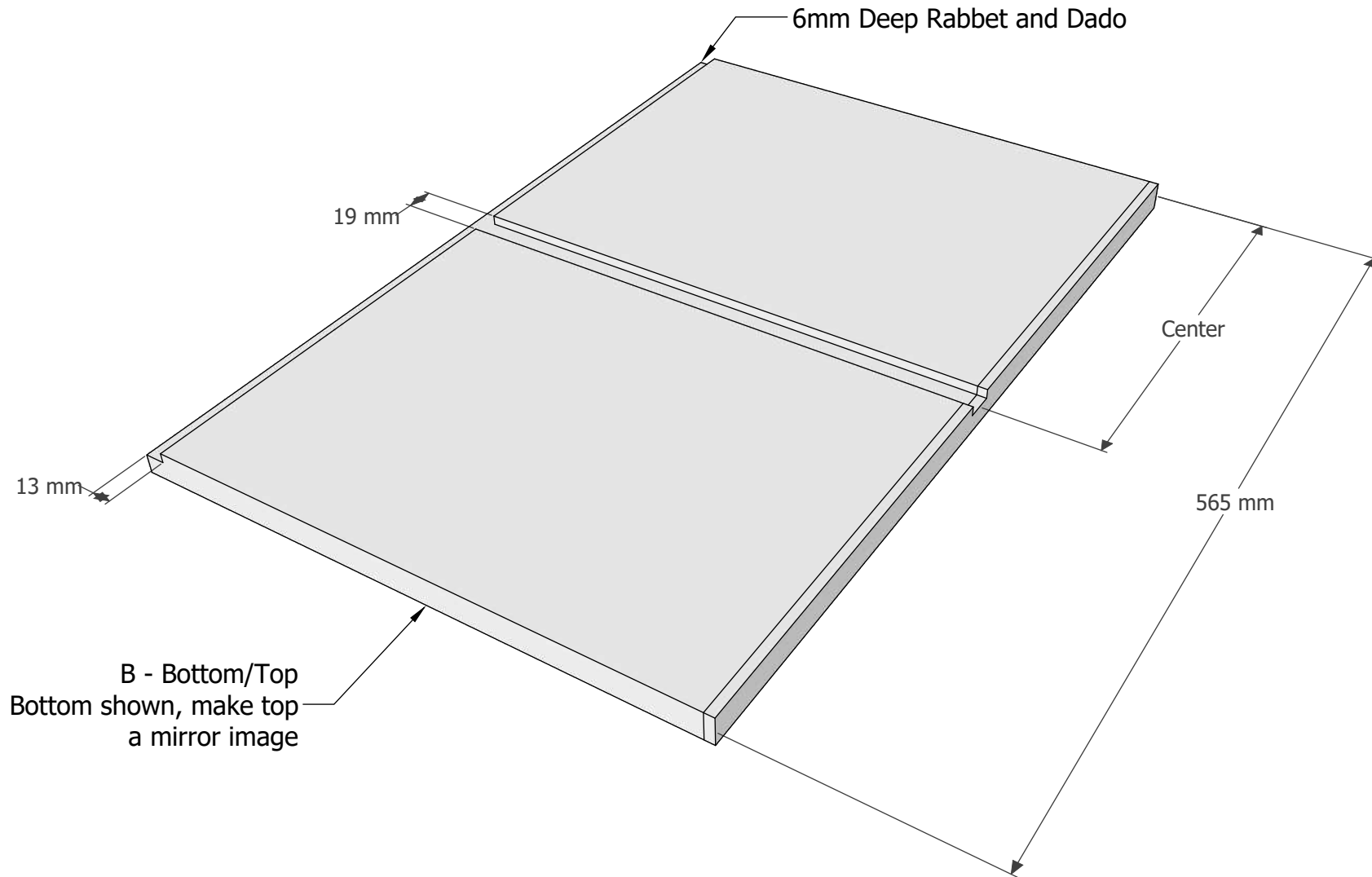


TWW

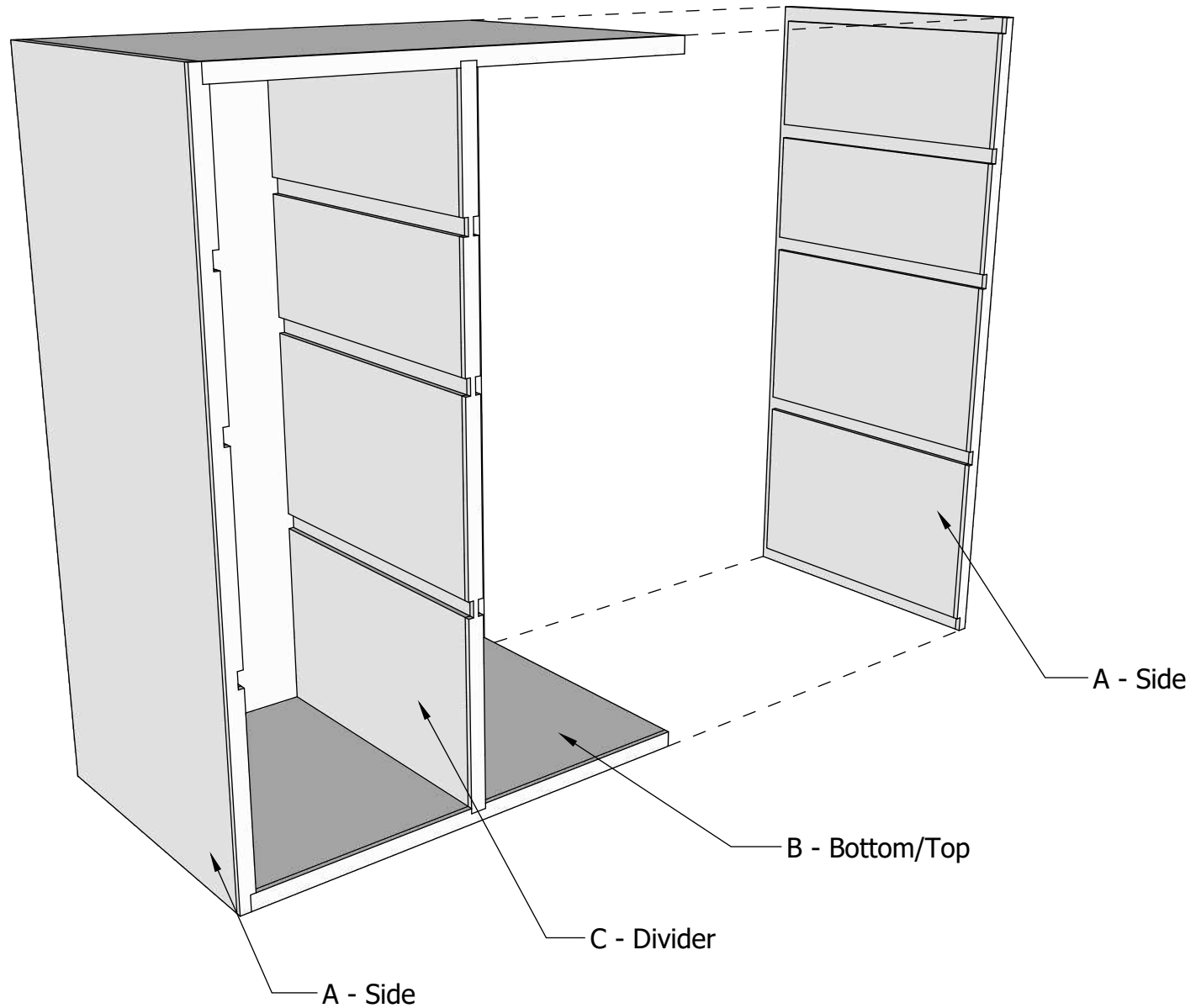
Dado Layout - Sides and Divider



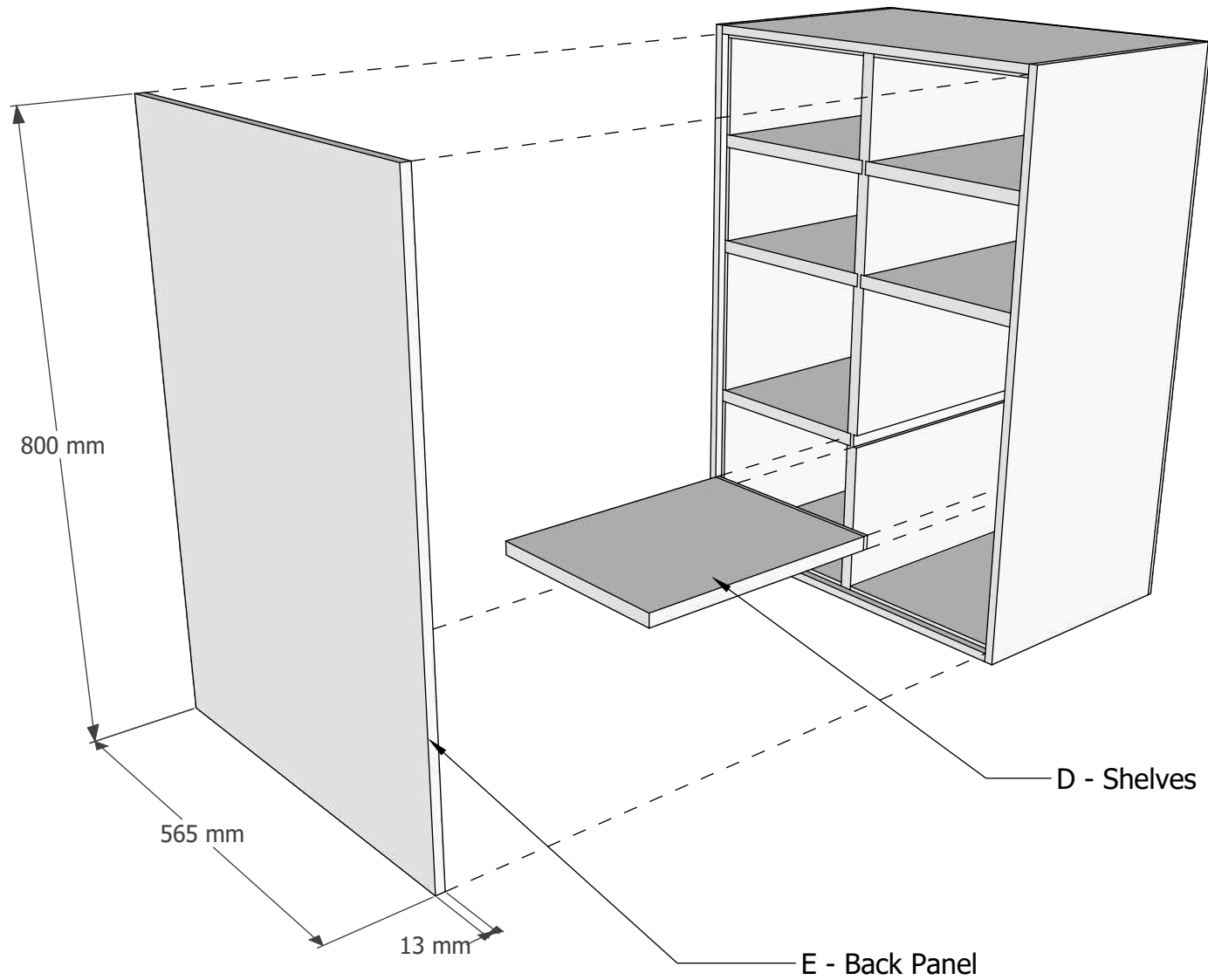
Dado Layout - Bottom/Top



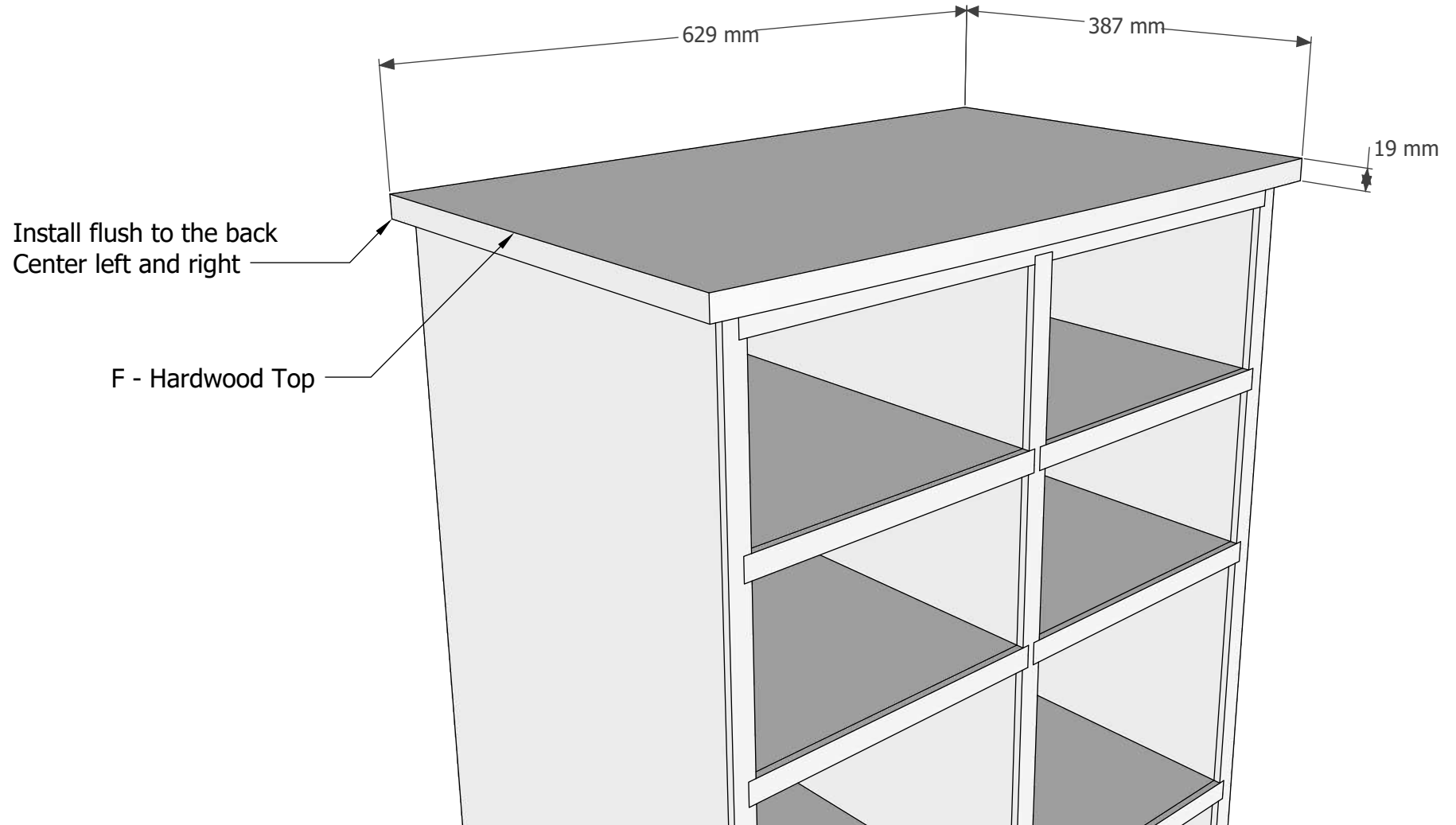
Case Assembly



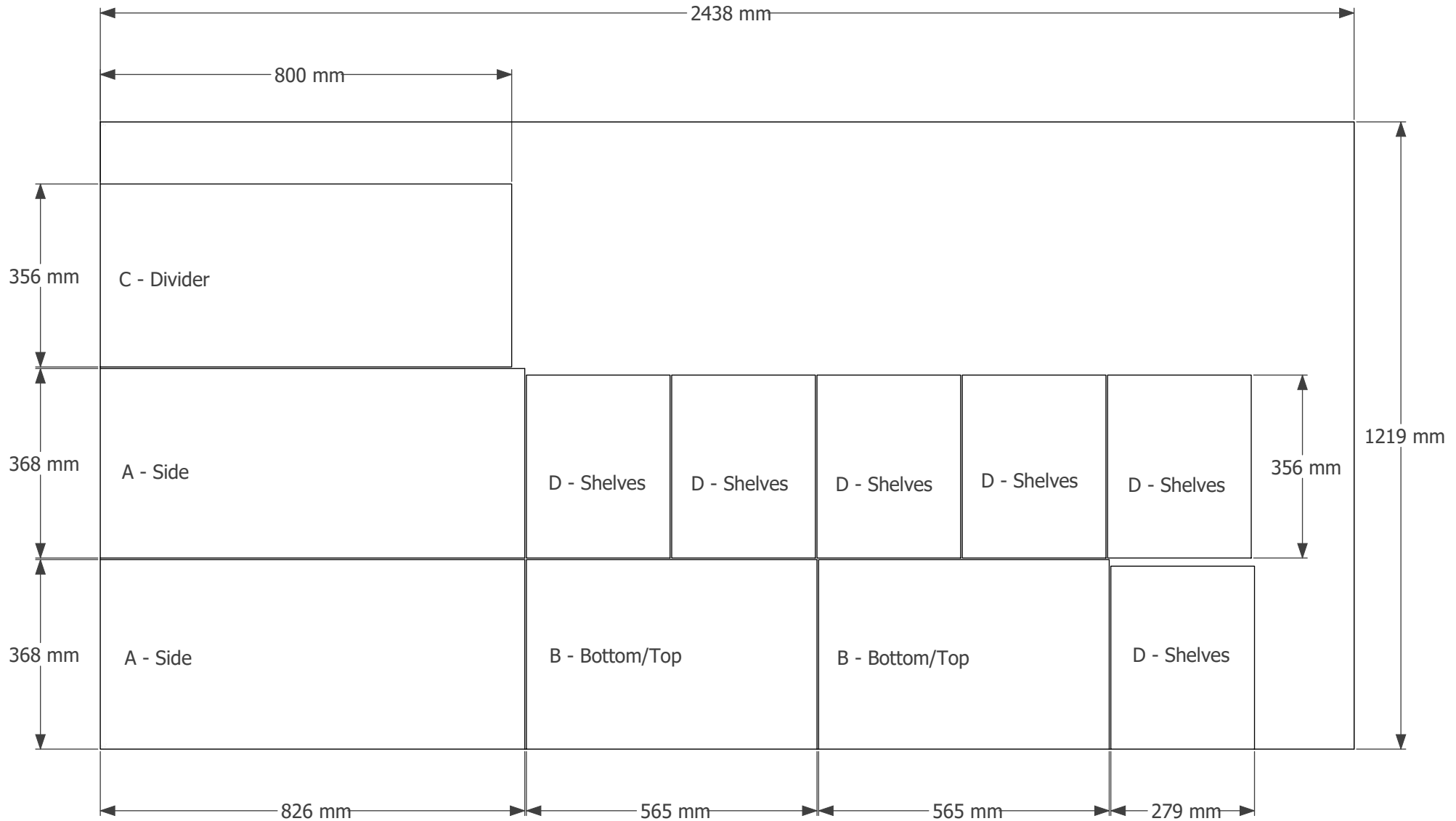
Divider and Back Assembly



Top Detail



19mm Plywood Cut Diagram



Change Log

Version 2

- The Metric version had the 3/4" plywood listed as 6mm, corrected to list it as 19mm on cut list